



Manuals.plus /

› Beizkna /

› Beizkna Double Outdoor Outlet User Manual

Beizkna B0DGGQ1YXS

Beizkna Double Outdoor Outlet User Manual

Model: Beizkna 2-Gang Waterproof Outdoor Outlet with Switch

INTRODUCTION

This user manual provides comprehensive instructions for the installation, operation, and maintenance of your Beizkna Double Outdoor Outlet. Designed for durability and safety, this IP66-rated weatherproof electrical box is suitable for various outdoor and indoor applications, offering reliable power access with enhanced protection.

IMPORTANT SAFETY INFORMATION

WARNING: Risk of Electric Shock. Installation must be performed by a qualified electrician or in accordance with local electrical codes. Disconnect power at the circuit breaker before installation.

- Ensure the power supply is disconnected before attempting any installation or maintenance.
- This product is designed for 110V (AC) power systems. Verify your power supply matches this requirement.
- The IP66 rating ensures protection against dust and powerful water jets. However, do not submerge the unit in water.
- Always use appropriate personal protective equipment (PPE) during installation.
- Ensure all connections are secure and properly insulated to prevent short circuits and electric shock.
- The integrated lockable cover helps prevent accidental opening and provides child protection. Utilize this feature when the outlet is not in use.

PACKAGE CONTENTS

Please verify that all items listed below are included in your package:

- 1x IP66 Weatherproof Outdoor Power Outlet with Cover
- 8x Screws
- 4x Expansion Anchors
- 2x Cable Connectors

- 8x Cable Clips (12 mm)
- 6x Ferrule Terminals
- 8x Screw Waterproof Rubber Pads (Black & Gray)
- 1x 2-in-1 Voltage Tester / Screwdriver



Image: Contents of the Beizkna Double Outdoor Outlet package, including the outlet unit, screws, anchors, cable connectors, cable clips, ferrule terminals, rubber pads, and a 2-in-1 voltage tester/screwdriver.

SPECIFICATIONS

Feature	Description
Model	Beizkna 2-Gang Waterproof Outdoor Outlet with Switch
Ingress Protection (IP) Rating	IP66 (Waterproof and Dust-proof)
Voltage	110 Volts (AC)
Rated Current	15A
Total Power Outlets	2
Material	Polyvinyl Chloride (PVC) + ABS + Pure Copper
Internal Depth	6 CM (accommodates various US plugs)
Maximum Cable Cross-Sectional Area	2.5 mm ²
Dimensions (Package)	7.05 x 6.61 x 4.02 inches
Weight (Package)	1.43 Pounds

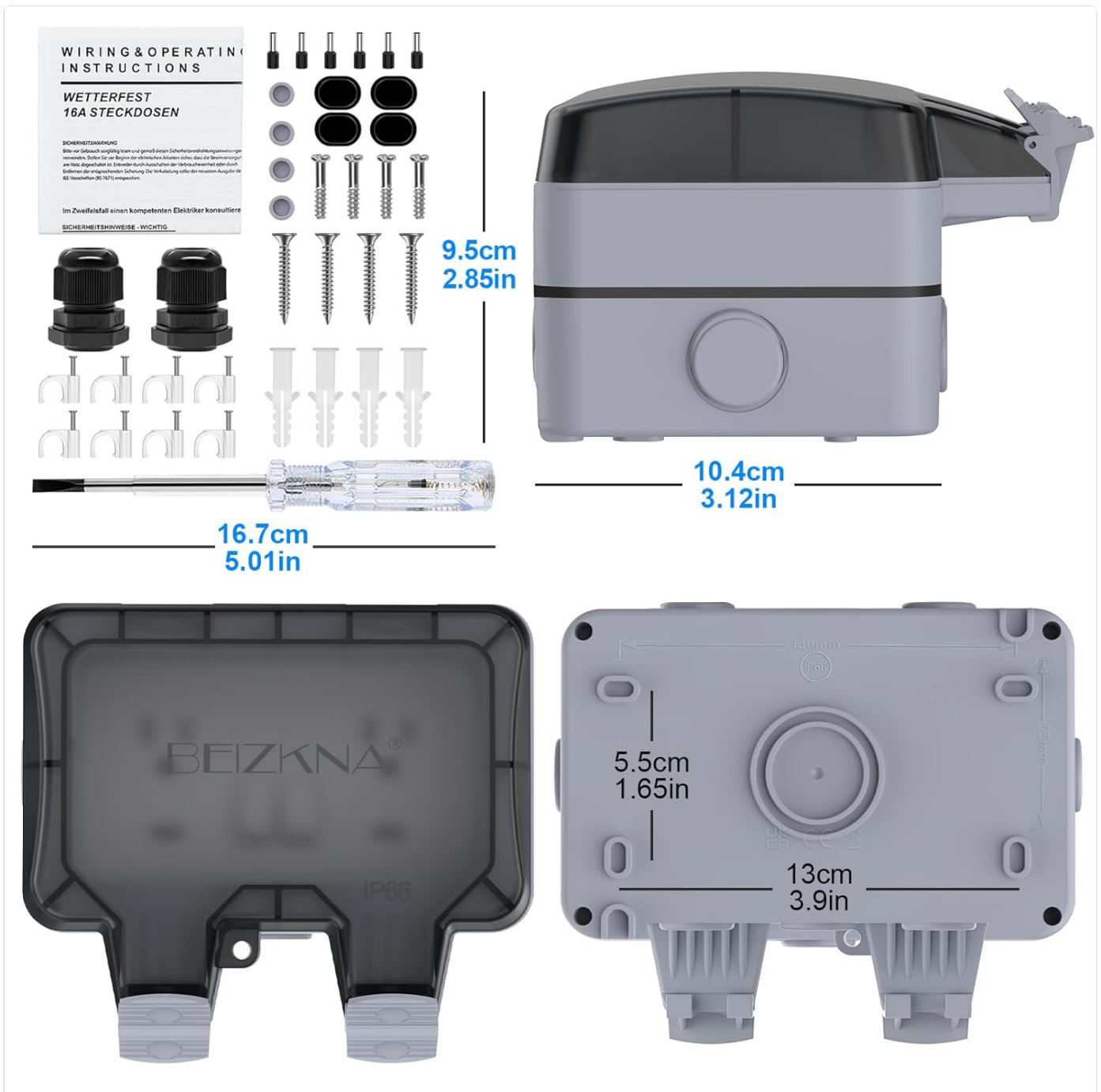


Image: Detailed dimensions of the Beizkna Double Outdoor Outlet and its components.

INSTALLATION GUIDE

Follow these steps carefully for proper installation. Ensure power is OFF before starting.

Installation Steps:

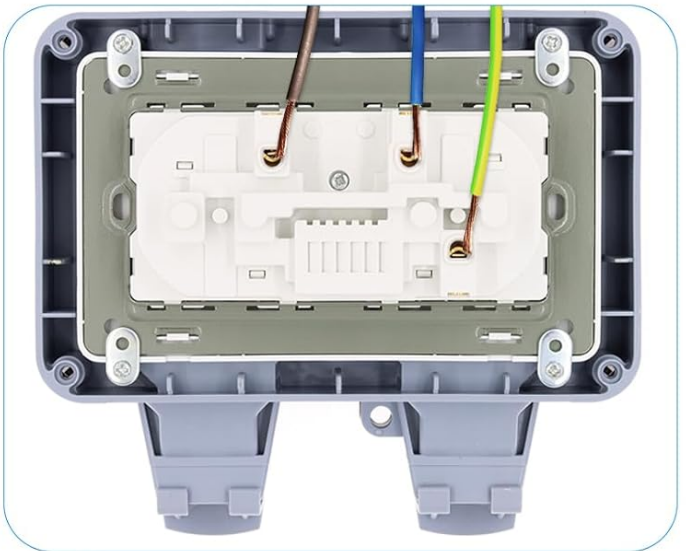
- 1. Prepare the Mounting Surface:** Select a suitable flat surface for mounting. Use the back plate of the outlet as a template to mark the drilling points.
- 2. Drill Mounting Holes:** Drill holes at the marked locations on the wall. Insert the expansion anchors into the drilled holes.
- 3. Secure the Base:** Place the back plate of the outlet against the wall, aligning the holes. Secure it using the provided screws. Ensure the black rubber pads are placed under the screw heads for water protection.
- 4. Install Cable Connectors:** Open the covers of the wiring channels on the base. Insert the cable connectors into the

designated openings and tighten them to secure the incoming cable.

5. **Wire the Outlet:** Connect the electrical wires (neutral, live, and ground) to the corresponding terminals on the outlet unit. The terminals are clearly marked. Ensure all connections are tight and secure.
6. **Attach Outlet Unit to Base:** Carefully align the outlet unit with the secured base and close it. Tighten the screws to firmly secure the outlet unit to the base. Place the grey rubber pads over these screws for additional water protection.
7. **Close the Cover:** Close the transparent protective cover and engage the buckles to ensure a watertight seal.



1. Open the back cover and insert the wires.



2. Connect the neutral wire, live wire and ground wire



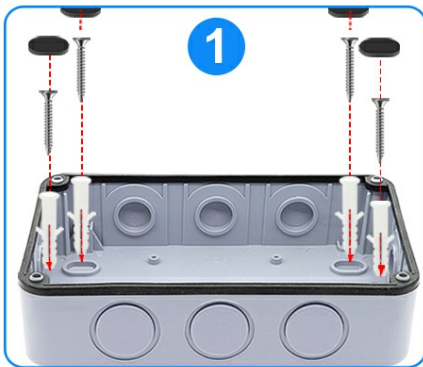
3. Tighten the back cover with screws and inset the plug



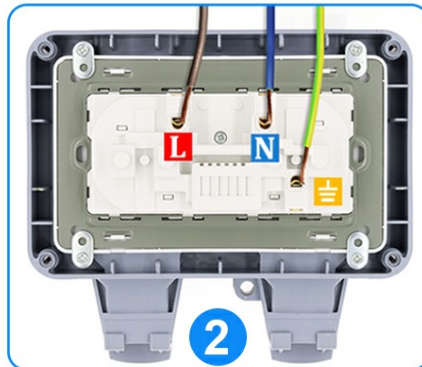
4. Close the waterproof cover and close the buckle.

Image: Visual guide for the initial installation steps, including marking, drilling, and securing the base.

Installation:



Step 1: Drill with a power drill. Insert the expansion plugs and screws. Stick the black waterproof pad onto the holes.



Step 2: Plug the cable connector into the bottom box. Connect the cables and the earth cable.



Step 3: Connect the socket and the lower box with the screws. Stick the grey waterproof pad on the holes.

Image: Detailed steps for wiring the outlet and securing the main unit to the base.

Installation Video Guide:

Your browser does not support the video tag.

Video: A step-by-step guide demonstrating the installation process of the Beizkna Double Outdoor Outlet, from unboxing to final assembly.

OPERATION

The Beizkna Double Outdoor Outlet is designed for simple and safe operation.

- **Powering On/Off:** Each outlet features an independent ON/OFF switch with an indicator light. Press the switch to control power to the individual socket. The indicator light will illuminate when the socket is active.
- **Connecting Devices:** Open the transparent protective cover. Plug your device's cord into the desired outlet. The 6 CM deep design provides ample space for various US plugs, allowing the cover to close securely even with plugs inserted.
- **Securing the Cover:** After plugging in your device, ensure the transparent cover is fully closed and the buckles are engaged. This maintains the IP66 waterproof and dust-proof rating.
- **Lockable Feature:** The cover includes a lockable design to prevent unauthorized access or accidental opening, enhancing safety, especially around children.



Image: Close-up diagram illustrating the independent ON/OFF switches and indicator lights for each outlet.

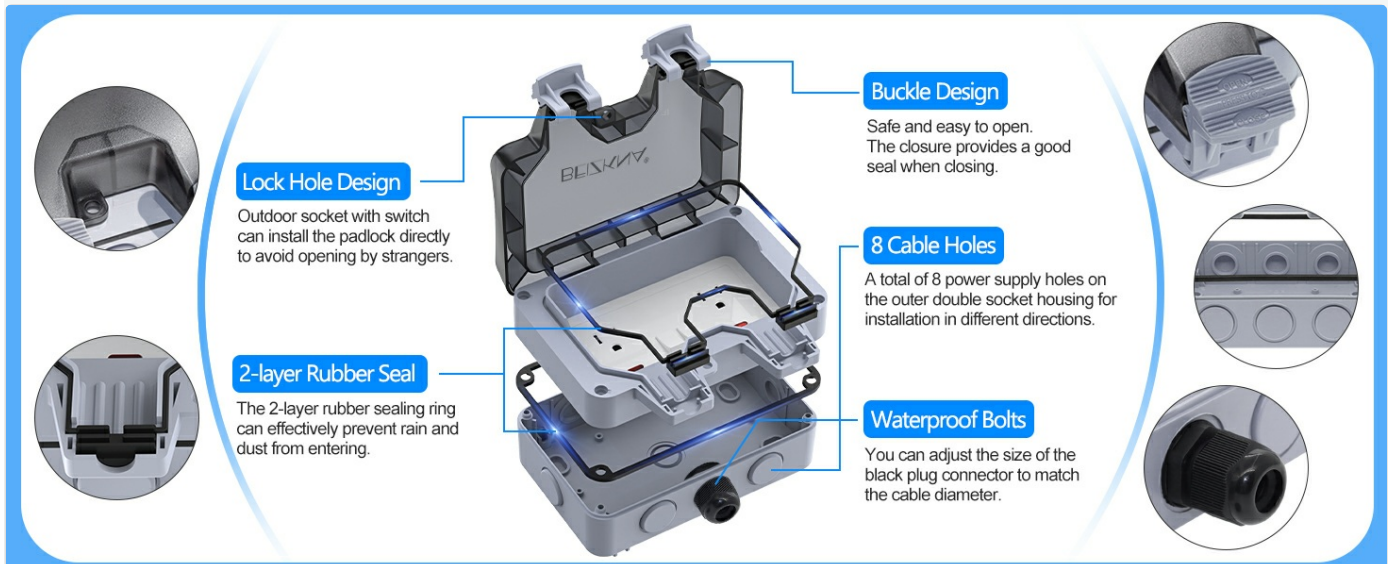


Image: Visual comparison highlighting the ample internal depth of the Beizkna outlet, allowing the cover to close securely with various plug types inserted.

MAINTENANCE

Regular maintenance ensures the longevity and optimal performance of your outdoor outlet.

- **Cleaning:** Periodically wipe the exterior of the outlet with a damp cloth to remove dirt and dust. Do not use abrasive cleaners or solvents. Ensure the power is off before cleaning.
- **Seal Inspection:** Regularly inspect the rubber seals around the cover and cable entries for any signs of wear, cracking, or damage. Damaged seals can compromise the waterproof rating.
- **Buckle Check:** Ensure the cover buckles are functioning correctly and provide a tight seal when closed.
- **Screw Tightness:** Occasionally check that all mounting screws are tight to maintain a secure installation.
- **Environmental Protection:** While designed for outdoor use, avoid prolonged exposure to extreme conditions if possible, such as direct, continuous water spray or extreme temperatures, to maximize lifespan.

TROUBLESHOOTING

If you encounter issues with your Beizkna Double Outdoor Outlet, refer to the following common problems and solutions:

Problem	Possible Cause	Solution
No power to outlet	Circuit breaker tripped; Loose wiring connection; Outlet switch is OFF.	Check your home's circuit breaker and reset if tripped. Verify all wiring connections are secure (ensure power is off first). Ensure the individual outlet switch is in the ON position.
Water inside the enclosure	Cover not properly closed; Damaged rubber seals; Improper cable connector installation.	Ensure the transparent cover is fully closed and buckles are engaged. Inspect rubber seals for damage and replace if necessary. Re-check cable connector installation for a tight seal.
Cover does not close with plug inserted	Plug is too large for the internal depth.	While designed for most US plugs, some oversized plugs may not fit. Ensure the plug is fully inserted and try to adjust the cable routing. Consider using a different plug if the issue persists.

WARRANTY AND SUPPORT

The Beizkna Double Outdoor Outlet comes with a **2-Year Guarantee** as per the product specifications.

For technical support, warranty claims, or further assistance, please contact Beizkna customer service through the retailer where the product was purchased or visit the official Beizkna store on Amazon:

Visit the Beizkna Store on Amazon