



[Manuals.plus](#) /

> [Spedal](#) /

> Spedal AL851 3-in-1 Portable Display Audio System User Manual

## Spedal AL851

# Spedal AL851 3-in-1 Portable Display Audio System User Manual

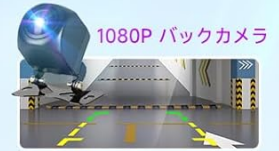
Model: AL851

## 1. PRODUCT OVERVIEW

---

The Spedal AL851 is a versatile 3-in-1 portable display audio system designed for vehicles. It integrates wireless Apple CarPlay and Android Auto, along with direct video streaming capabilities for popular services like YouTube and Netflix. The device features a 10.26-inch 2.5D curved touchscreen, dual Wi-Fi, dual Bluetooth, and supports various audio output methods. It also includes a 1080P backup camera for enhanced safety.

# 2025年最新の10.26インチ密閉型 Android OS搭載ディスプレイオーディオ!



3 in 1・デュアルWi-Fi・画面分割対応、CarPlayと映像の同時再生可能 / -20℃ ~ +70℃ の温度環境に対応



2.4GHzおよび5GHz Wi-Fi接続に対応

デュアルWi-Fi対応: CarPlayを使用しながら、同時にYouTubeやNetflixのビデオを再生することができます

Carplay/Android Auto  
無線接続



1280\*720 画素のIPS液晶ディスプレイ



底座はソフトシリコン素材を採用しており、車内の凹凸や曲面にしっかりと密着します



Image: The Spedal AL851 portable display audio system, showcasing its main interface with icons for navigation, music, and video streaming applications.

## 2. PACKAGE CONTENTS

Please verify that all items are present in the package:

- Spedal AL851 Main Unit
- 1.2m AUX Audio Cable
- 6m Backup Camera Cable
- 3.5m Cigarette Lighter Socket Charger
- Adhesive Mount
- Rear Camera
- User Manual (this document)



Image: A visual representation of the Spedal AL851's dimensions and a clear display of all components included in the product package, such as the main unit, cables, charger, and mount.

### 3. SETUP AND INSTALLATION

#### 3.1 Mounting the Device

Use the provided adhesive mount to securely attach the Spedal AL851 to your vehicle's dashboard. Ensure the mounting surface is clean and dry for optimal adhesion. Position the device so it does not obstruct your view while driving.

#### 3.2 Power Connection

Connect the device to your vehicle's cigarette lighter socket using the 3.5m charger. The system supports DC12-24V, making it compatible with various vehicle types including sedans, SUVs, and trucks.

#### 3.3 Backup Camera Installation

The 1080P backup camera is IP67 waterproof and can be installed outside the vehicle. Connect the camera to the main unit using the 6m cable. For automatic parking assist display, connect the camera's red trigger wire to your vehicle's reverse light circuit. When the vehicle is put into reverse, the display will automatically switch to the camera view.



Image: A diagram showing how to connect the backup camera to the Spedal AL851 system, including the trigger wire connection to the reverse light for automatic activation.

### 4. OPERATING INSTRUCTIONS

## 4.1 Initial Power On and Interface

Once powered on, the device will display its main interface. The system runs on a closed Android OS with pre-installed applications. New applications cannot be installed beyond the pre-existing selection, which includes Disney+, YouTube, Prime Video, Spotify, TikTok Lite, U-NEXT, and TVer.



Image: The Spedal AL851's home screen, displaying a grid of pre-installed entertainment and navigation applications.

## 4.2 Wireless CarPlay and Android Auto Connection

The device supports wireless Apple CarPlay (iOS 10 or later) and Android Auto (Android 11 or later). It is not compatible with Xiaomi and AQUOS smartphones.

1. Ensure Bluetooth and Wi-Fi are enabled on your smartphone.
2. On the AL851, navigate to the CarPlay or Android Auto section.
3. Pair your smartphone with the AL851 via Bluetooth. Follow the on-screen prompts on both devices to confirm the connection.
4. Once paired, the system will automatically establish a Wi-Fi connection for CarPlay or Android Auto functionality.

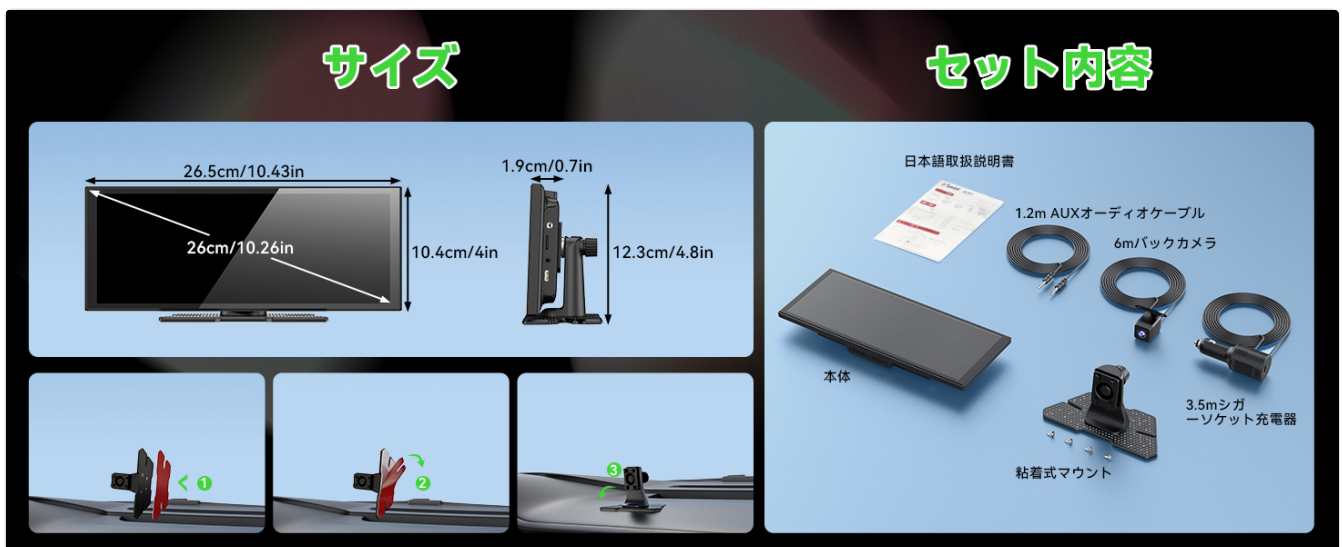
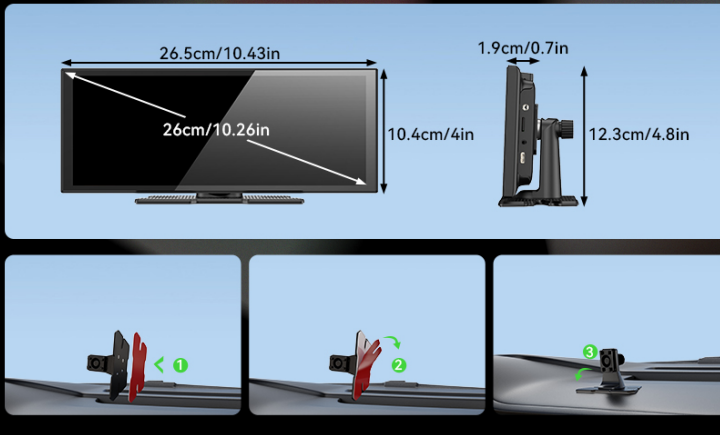


Image: A visual guide detailing the steps to connect an iPhone to the Spedal AL851 for CarPlay functionality, showing phone and device screens.

## サイズ



## セット内容



Image: A visual guide detailing the steps to connect an Android phone to the Spedal AL851 for Android Auto functionality, showing phone and device screens.

### 4.3 Dual Wi-Fi and Split Screen Functionality

The AL851 features a dual Wi-Fi module, allowing you to use CarPlay/Android Auto and stream video content (e.g., YouTube, Netflix) simultaneously without disconnecting CarPlay. The split-screen function divides the display into two areas.

- To activate split-screen, tap the dedicated split-screen button on the interface.
- To return to full-screen mode, slide the central split button.
- The side menu can be adjusted to appear on the left or right via the settings.
- Note: CarPlay will automatically reconnect within a few seconds when switching between split-screen and full-screen modes.

## 画面分割 + デュアルWi-Fi機能:

分割画面機能を有効にすると、動画アプリとCARPLAYをそれぞれ画面の2つのエリアに同時に表示できます。

動画を再生しながらCARPLAY機能を使用することが可能です。  
本機はWi-Fiモジュールを2つ内蔵しており、動画を視聴する際にCARPLAYの接続を切る必要がありません。  
動画を見ながら、同時にCARPLAYを使用することができます。



サイドメニューは左右にスライドして切り替えることができます



Image: The Spedal AL851 screen in split-screen mode, demonstrating simultaneous display of a video streaming application and a CarPlay navigation map.

### 4.4 Audio Output Methods

The AL851 offers four ways to output audio:

1. **Built-in Speaker:** Audio is played directly through the device's integrated speaker.
2. **Bluetooth Connection:** When using CarPlay or Android Auto, connect your smartphone to your vehicle's Bluetooth system. Audio will then play through your vehicle's speakers. The AL851's dual Bluetooth channels allow simultaneous connection of your smartphone (input) and your car's audio system (output).
3. **FM Transmitter:** Activate the FM function on the AL851 and set a frequency. Tune your car radio to the same FM frequency, and audio will be transmitted to your vehicle's speakers.
4. **AUX Output:** Connect the provided AUX audio cable from the AL851 to your vehicle's AUX port. Audio will then play through your vehicle's speakers.

## 音声出力の4つの方法

バックガイド機能: バックギアに入ると後ろを確認でき、これで初心者でも簡単にバック駐車ができます

今田先生、到着しました



本体スピーカ-



AUXケーブル



FMトランスミッター-



Image: A visual explanation of the four audio output options available on the Spedal AL851, showing connections for built-in speaker, Bluetooth, FM transmitter, and AUX cable.

### 4.5 Media Player Function

The device can play music and video files stored on a Micro SD card (not included). Supported formats include:

- **Video Formats (VLC Player):** MP4, AVI, MKV, FLV, 3GP, MOV, WMV
- **Video Resolutions:** 720P, 1080P, 2K
- **Audio Formats:** MP3, WAV, DVAudio, Wavpack

## 高画質バックカメラ 暗視機能付き

赤いトリガー線をバックランプに接続すると、  
車両をリバースギアに入れた際に、自動的にバックカメラの映像が表示されます。



Image: The Spedal AL851's media player interface, demonstrating its capability to play various media types from a Micro SD card.

## 5. MAINTENANCE

### 5.1 Software Updates (OTA)

The AL851 supports Over-The-Air (OTA) updates. You can check for and perform updates directly from the device's settings screen. Connect the device to a shared hotspot or a Wi-Fi network to initiate a one-click update. This method is faster and more convenient than traditional TF card updates.



Image: A graphic illustrating the OTA (Over-The-Air) update process for the Spedal AL851, emphasizing its ease and speed.

## 6. TROUBLESHOOTING

### 6.1 Common Issues and Solutions

- **No Power:** Ensure the cigarette lighter charger is securely connected and the vehicle's power outlet is functioning.
- **CarPlay/Android Auto Not Connecting:** Verify your smartphone's Bluetooth and Wi-Fi are on. Check compatibility (iOS 10+ for iPhone, Android 11+ for Android; not compatible with Xiaomi/AQUOS). Try restarting both the device and your phone.
- **No Audio Output:** Check the selected audio output method (built-in speaker, Bluetooth, FM transmitter, AUX). Ensure volume levels are adequate on both the AL851 and your car's audio system. For FM transmitter, confirm the frequencies match. For AUX, ensure the cable is properly connected.
- **Backup Camera Not Displaying:** Confirm the camera is properly connected to the main unit and the trigger wire is

correctly wired to the reverse light.

- **Split Screen Reconnection Delay:** It is normal for CarPlay to automatically reconnect within a few seconds when switching between split-screen and full-screen modes.

## 7. SPECIFICATIONS

Brand	Spedal
Model Number	AL851
Display Size	10.26 inches
Display Resolution	1280 x 720 pixels
Touchscreen Type	Capacitive 2.5D Curved
RAM	2GB
ROM	32GB
Wi-Fi Support	2.4GHz / 5GHz (Dual Wi-Fi)
Bluetooth Version	5.0 (Dual Bluetooth)
CarPlay/Android Auto	Wireless (iOS 10+, Android 11+)
Backup Camera	1080P Full HD, 120° FOV, IP67 Waterproof
Power Input	DC12-24V
Product Dimensions (D x W x H)	28 x 5 x 10 cm
Color	Black
Country of Origin	China



Image: A detailed diagram illustrating the physical dimensions of the Spedal AL851 display unit.

## 8. WARRANTY AND SUPPORT

### 8.1 Warranty Information

This product comes with a **1-year warranty** from the date of purchase. Please retain your proof of purchase for warranty claims. The warranty covers manufacturing defects and malfunctions under normal use.

## 8.2 Customer Support

For technical assistance, troubleshooting, or warranty inquiries, please contact Spedal customer support through the retailer where you purchased the product or visit the official Spedal website for contact information.

## 9. IMPORTANT NOTES

---

- The Android system on this device is restricted; new applications cannot be installed beyond the pre-installed ones.
- Not compatible with Xiaomi and AQUOS smartphones for CarPlay/Android Auto.
- A Micro SD card is required for media playback and is not included with the product.
- The device does not include a dashcam (drive recorder) function.

## 10. PRODUCT VIDEO GUIDE

---

Watch this video for a visual guide on connecting your smartphone, using the split-screen feature, and playing media files on the Spedal AL851.

Video: A demonstration of the Spedal AL851's key features, including wireless CarPlay/Android Auto connection, split-screen functionality, and media playback from a USB drive.