

## Manuals+

[Q & A](#) | [Deep Search](#) | [Upload](#)

[manuals.plus](#) /

> [aqinsfai](#) /

> [Spray Arm Compatible for Miele Dishwashers, Model 6044160, Compatible with G1 - G5 Dishwashers](#)

**aqinsfai qian qian shop**

# Instruction Manual: Spray Arm Compatible for Miele Dishwashers

Model 6044160, Compatible with G1 - G5 Dishwashers

## 1. INTRODUCTION

This manual provides essential information for the installation, operation, and maintenance of the aqinsfai Spray Arm, model 6044160. This high-quality replacement part is designed to ensure optimal cleaning performance in compatible Miele G1 - G5 series dishwashers. Please read these instructions carefully before installation to ensure proper function and longevity of the product.

## 2. PRODUCT OVERVIEW

The aqinsfai Spray Arm (Model 6044160) is a crucial component for effective dishwashing. It features multiple spray nozzles strategically placed to distribute water evenly across dishes, ensuring thorough cleaning. Constructed from durable materials, it is built to withstand the demanding environment inside a dishwasher.



Figure 2.1: The aqinsfai Spray Arm, Model 6044160. This image shows the full length of the spray arm, highlighting its elongated shape and the distribution of spray nozzles along its surface. The central circular opening for connection is also visible.



Figure 2.2: Close-up view of the central connection point of the spray arm. This detailed image illustrates the mechanism where the spray arm attaches to the dishwasher's water supply, ensuring a secure and leak-free fit.



Figure 2.3: Top-down perspective of the spray arm, clearly showing the arrangement of the spray nozzles. These nozzles are designed to optimize water distribution for efficient cleaning.

### Key Features:

- **Optimized Spray Pattern:** Ensures comprehensive water coverage for spotless dishes.
- **Durable Construction:** Made from high-quality materials resistant to high temperatures and water pressure.
- **Direct Replacement:** Engineered to fit seamlessly with specified Miele dishwasher models.
- **Easy Installation:** Designed for straightforward replacement.

## 3. COMPATIBILITY

---

This spray arm (Model 6044160) is specifically designed as a compatible replacement part for the following Miele dishwasher series:

- Miele G1 Series Dishwashers
- Miele G2 Series Dishwashers
- Miele G3 Series Dishwashers

- Miele G4 Series Dishwashers
- Miele G5 Series Dishwashers

Please verify your dishwasher's model number to ensure compatibility before proceeding with installation.

## 4. INSTALLATION INSTRUCTIONS

---

Follow these steps carefully to replace your dishwasher's spray arm. It is recommended to consult your dishwasher's original manual for specific instructions related to your model.

1. **Safety First:** Before beginning, ensure the dishwasher is unplugged from the power outlet and the water supply is turned off.
2. **Locate the Old Spray Arm:** Open the dishwasher door. The spray arm is typically located at the bottom of the dishwasher tub, or sometimes in the middle rack.
3. **Remove the Old Spray Arm:** Depending on your Miele model, the spray arm may be held in place by a retaining nut, a clip, or simply by being pushed onto a central water feed pipe.
  - For screw-on types: Unscrew the retaining nut (usually counter-clockwise).
  - For push-on types: Gently pull the spray arm upwards to detach it from the water feed.

Remove the old spray arm and inspect the connection point for any debris.

4. **Install the New Spray Arm:** Align the new aqinsfai spray arm (Model 6044160) with the water feed pipe.
  - For screw-on types: Place the new spray arm onto the feed pipe and screw on the retaining nut clockwise until snug. Do not overtighten.
  - For push-on types: Push the new spray arm firmly onto the water feed pipe until it clicks into place or feels securely seated.

Ensure the spray arm can rotate freely without obstruction.

5. **Verify Installation:** Gently spin the new spray arm by hand to confirm it is properly seated and can rotate without hitting any part of the dishwasher or racks.
6. **Restore Power and Water:** Plug the dishwasher back into the power outlet and turn on the water supply.
7. **Test Run:** Run a short cycle (e.g., rinse cycle) to check for proper operation and ensure there are no leaks. Observe the spray arm's rotation and water distribution.

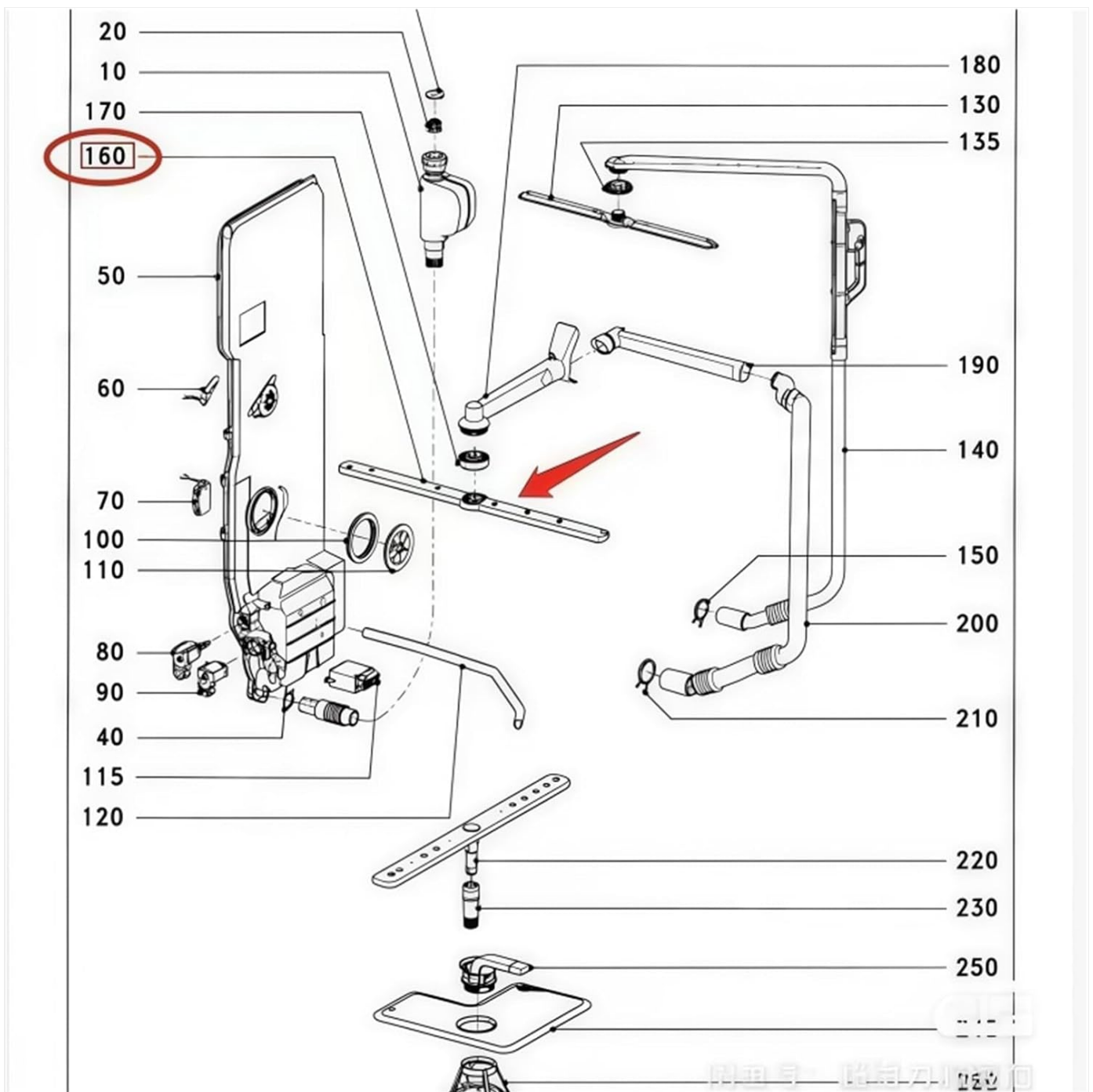


Figure 4.1: Exploded diagram of a dishwasher assembly, indicating the position of the spray arm (highlighted by a red arrow and labeled '160'). This diagram helps visualize where the spray arm connects within the overall system.

## 5. OPERATING PRINCIPLES

The spray arm is an integral part of your dishwasher's cleaning system. During a wash cycle, pressurized water is pumped through the central feed pipe into the spray arm. The force of the water exiting the nozzles causes the spray arm to rotate, ensuring that water and detergent are sprayed evenly over all dishes, reaching every corner for effective cleaning. Proper rotation and unobstructed nozzles are critical for optimal washing results.

## 6. MAINTENANCE

Regular maintenance of your spray arm can extend its lifespan and ensure consistent cleaning performance.

- **Inspect Regularly:** Periodically check the spray arm for any signs of cracks, damage, or blockages in the nozzles.
- **Clean Nozzles:** Food particles, mineral deposits, or detergent residue can clog the spray arm nozzles. Use a small

brush or toothpick to clear any blockages. You may need to remove the spray arm for a more thorough cleaning.

- **Check Rotation:** Ensure the spray arm rotates freely. If it's stiff or not rotating, check for obstructions around its base or within the central connection point.
- **Avoid Overloading:** Do not overload the dishwasher, as this can obstruct the spray arm's rotation and prevent water from reaching all dishes.

## 7. TROUBLESHOOTING

---

If you experience issues with your dishwasher's cleaning performance after installing the new spray arm, consider the following:

| Problem                               | Possible Cause                                  | Solution  |
|---------------------------------------|---|---|
| Dishes not clean                      | Clogged spray arm nozzles                       | Clean the nozzles using a small brush or toothpick.   |
| Dishes not clean                      | Spray arm not rotating                          | Check for obstructions (e.g., tall items, cutlery) blocking the spray arm's rotation. Ensure it is properly seated on the water feed. |
| Water leaks from spray arm connection | Improper installation or damaged seal           | Ensure the spray arm is securely attached. If a seal or gasket is present, check for damage and replace if necessary.                 |
| Unusual noise during cycle            | Spray arm hitting dishes or dishwasher interior | Rearrange dishes to ensure the spray arm has clear rotation. Check for any loose parts.   |

If problems persist after attempting these solutions, it may indicate an issue with another component of your dishwasher or require professional assistance.

## 8. SPECIFICATIONS

---

| Attribute              | Detail  |
|------------------------|---|
| Product Name           | Dishwasher Spray Arm                          |
| Model Number           | 6044160                                       |
| Brand                  | aqinsfai                                      |
| Compatible Dishwashers | Miele G1 - G5 Series                          |
| Material               | Durable, high-quality plastic/metal composite |
| Package Dimensions     | 0.39 x 0.39 x 0.39 inches                     |
| Item Weight            | 1.76 ounces                                   |
| Manufacturer           | qian qian shop                                |
| Country of Origin      | China   |

## 9. WARRANTY AND SUPPORT

---

For information regarding warranty coverage or technical support, please refer to the seller's information provided at the

time of purchase or contact the manufacturer directly. The manufacturer for this product is qian qian shop. For general inquiries or assistance with installation, you may also refer to online resources or qualified appliance repair technicians.



© 2024 aqinsfai. All rights reserved.

This manual is for informational purposes only. Always follow safety precautions.