



[Manuals.plus](#) /

› [Motersi](#) /

› [Motersi Carplay Autoradio User Manual for Fiat Punto 2010-2016 / Linea 2012-2015 \(Model 2+64G\)](#)

Motersi 2+64G

Motersi Carplay Autoradio User Manual

Model: 2+64G for Fiat Punto (2010-2016) / Linea (2012-2015)

1. INTRODUCTION

This manual provides detailed instructions for the installation, operation, and maintenance of your Motersi Carplay Autoradio. This unit is specifically designed for Fiat Punto models from 2010 to 2016 and Fiat Linea models from 2012 to 2015. It features a 6.2-inch HD display, Android operating system, wireless CarPlay/Android Auto, integrated GPS navigation, Bluetooth, Wi-Fi, RDS/FM radio, steering wheel control (SWC), USB connectivity, Mirror Link, and support for AHD/CVBS rear cameras.



Image: The Motorola Carplay Autoradio seamlessly integrated into a Fiat Punto dashboard, displaying its user interface. This image illustrates the product's appearance after installation.

2. PRODUCT FEATURES

- **Compatibility:** Specifically designed for Fiat Punto (2010-2016) and Fiat Linea (2012-2015) with a 6.2-inch HD display and Android system.
- **Wireless Connectivity:** Supports wireless CarPlay, Android Auto, and Mirrorlink via USB or Wi-Fi for seamless smartphone integration.
- **Performance:** Equipped with 2GB RAM and 64GB ROM for smooth operation of various applications.
- **GPS & Wi-Fi:** Integrated GPS navigation supports both offline maps and real-time online navigation. Wi-Fi connectivity allows access to online mapping services, internet radio, and global weather functions (activation required).
- **Audio & Radio:** Features an amplifier chip with 4x45W output, supporting multiple audio formats including FLAC lossless files. FM/RDS radio ensures clear station reception, with integrated equalizers for sound optimization.
- **Expansion & Installation:** Supports steering wheel control learning function and rear camera connection for automatic reverse view switching. Includes dual USB ports and supports dash cam expansion (sold separately). All necessary installation cables are included.

3. PACKAGE CONTENTS

The following items are included in your product package:

- Motorsi Carplay Autoradio Unit
- Power Cable
- RCA Cable
- 3.8Pin Canbus Plug
- USB Cable (Original)
- Rear Camera Input Cable
- Radio Antenna
- GPS Antenna
- Canbus Decoder
- AHD Camera
- Microphone (MIC)
- Antenna Adapter
- User Manual

Package List



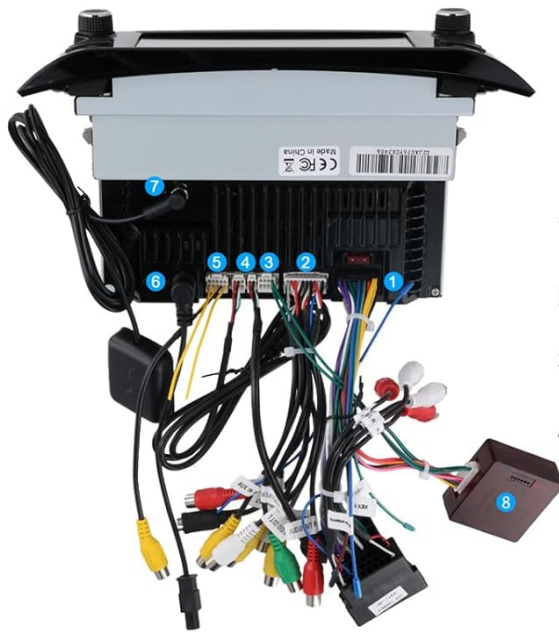
Image: A visual representation of all components included in the package, including the main unit, various cables, antennas, and the rear camera.

4. SETUP & INSTALLATION

4.1 Wiring Instructions

Refer to the wiring diagram below for proper connection of the autoradio unit. Ensure all cables are securely connected to their respective ports.

Wiring Instructions



- | | |
|--------------------|---------------------------|
| 1.Power Cable | 5.Rear Camera Input Cable |
| 2.RCA Cable | 6.Radio Antenna |
| 3.8Pin Canbus Plug | 7.GPS Antenna |
| 4.USB Cable | 8.Canbus |

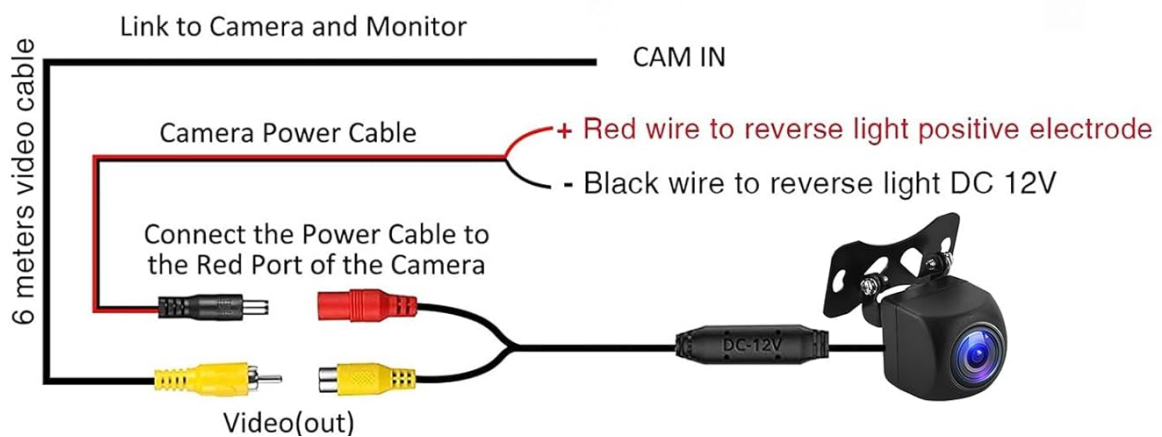


Image: A comprehensive diagram illustrating the connections for the power cable, RCA cable, Canbus plug, USB cable, rear camera input, radio antenna, and GPS antenna.

4.2 Canbus Configuration

For proper integration with your vehicle's systems, especially for steering wheel controls and dashboard communication, the Canbus settings must be configured correctly. Follow these steps:

1. Verify that the 8-pin CAN bus port is correctly connected.
2. Check that the protocol selection is correct within the unit's settings.
3. Verify that the protocol shows a successful connection.
4. After selecting the protocol, enter the original vehicle settings to configure the vehicle model.
5. Once the matching is complete, you can use the steering wheel controller.

Note: Factory setup password is 8888 or 1234. If issues persist, provide images of the CAN bus information and rear cable connections to technical support for assistance.

Problema di lampeggiamento del cruscotto. Ecco la nostra soluzione:

- ▶ **Passaggio 1:**
verificare che la porta seriale del bus CAN (cavo a 8 pin) sia collegata correttamente.
- ▶ **Passaggio 2:**
verificare che la selezione del protocollo sia corretta.
- ▶ **Passaggio 3:**
verificare che il protocollo visualizzi una connessione riuscita. Dopo aver selezionato il protocollo, inserire le impostazioni originali del veicolo per selezionare la configurazione del modello del veicolo.
- ▶ **Passaggio 4:**
una volta completata la corrispondenza, è possibile utilizzare il controller del volante.

Note:

1. Password impostazioni di fabbrica: 8888/1234
2. Se il problema persiste, fornire immagini delle informazioni sulla versione, del bus CAN e dei collegamenti dei cavi posteriori e inviarle al nostro team di assistenza clienti per la risoluzione. Vi forniremo tempestivamente una nuova soluzione!

Reference image

The reference images show a sequence of steps in a car's settings menu. The first image shows the 'Car Settings' menu with 'Factory Setup' highlighted. The second image shows the 'Can Settings' screen with 'Raise-Triumph-GS4-2015-2017-High' selected. The third image shows a grid of vehicle models with 'Simple' highlighted. The fourth image shows a list of brands with 'Opel' selected.

Image: Reference images showing the Car Settings menu, specifically the 'Can Settings' and 'Factory Setup' options, and how to select the correct vehicle model for Canbus configuration.

5. OPERATING INSTRUCTIONS

5.1 Wireless Apple CarPlay & Android Auto

Connect your smartphone wirelessly via Bluetooth or Wi-Fi to access Apple CarPlay or Android Auto. This allows you to use navigation, make calls, send messages, and play music directly from your phone's interface on the autoradio screen.

Your browser does not support the video tag.

Video: A short demonstration of the Apple CarPlay interface on the autoradio, showing navigation, music playback, and app access. This video highlights the responsiveness and ease of use of the system.

Wireless Apple Carplay/Android Auto

This Apple Carplay radio is compatible with wireless Apple Carplay and Android Auto. You can connect to this touch screen car radio wirelessly via Bluetooth and access almost all of your phone's functions through the car screen, such as music, GPS navigation, calls, messages, etc.



Image: A visual guide demonstrating the wireless connection of Apple CarPlay and Android Auto, displaying how smartphone apps are mirrored and controlled on the car's touchscreen.

5.2 GPS Navigation

The integrated GPS system supports both offline maps and real-time online navigation. Connect to Wi-Fi to download maps and receive live traffic updates.

GPS Navigation

When Connected with Wifi, you can download offline maps or use online maps to navigate accurately for you anywhere and anytime.



Wifi Connection

When connected with Wifi, You can enjoy your free time in the car by downloading the apps you need from the app store, such as youtube, tiktok and so on.



Image: The GPS navigation screen displaying a detailed map with a highlighted route and points of interest, demonstrating the unit's navigational capabilities.

5.3 Wi-Fi Connection

Connect the autoradio to a Wi-Fi network to access online services, download applications from the app store, and stream content.



Image: A graphic illustrating the Wi-Fi connection feature, with the car stereo screen surrounded by popular app icons, signifying access to online content and services.

5.4 Bluetooth Connectivity

Pair your smartphone via Bluetooth for hands-free calling and audio streaming (A2DP). Access your phonebook directly from the autoradio screen.



Image: The Bluetooth interface on the car stereo, showing a dial pad and call history, alongside a smartphone demonstrating hands-free calling functionality.

5.5 FM/RDS Radio

Tune into your favorite radio stations with clear reception thanks to the FM/RDS function. The unit supports 18 preset stations.



Image: The radio interface showing the FM tuner, with the current frequency displayed and options for preset stations, search, and menu access.

5.6 Steering Wheel Control (SWC)

After proper Canbus configuration, you can control the autoradio's functions directly from your vehicle's steering

wheel controls for convenience and safety.



Image: A close-up of a car's steering wheel with integrated controls, demonstrating how the autoradio can be operated without taking hands off the wheel.

5.7 Rear Camera Support

Connect a rear camera (included) to automatically switch to the reverse view when parking, with auxiliary lines to assist safe maneuvering.



Image: A diagram illustrating the connection of a rear camera to the autoradio, showing the reverse view with parking assistance lines on the screen.

5.8 Split Screen Functionality

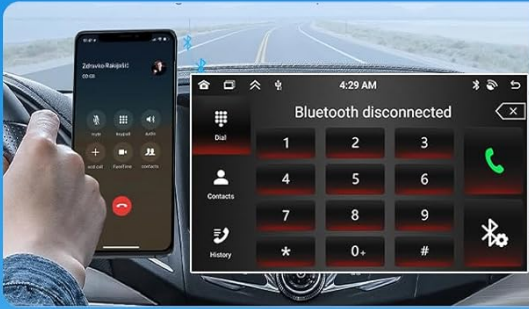
Utilize the split-screen feature to run two applications simultaneously on the display. You can customize the size and position of each app and switch between them with a simple gesture.



Image: The autoradio screen demonstrating the split-screen feature, with a navigation map on one side and a music player on the other, allowing for simultaneous use of two applications.

5.9 EQ Sound Adjustment

Adjust the sound equalizer to optimize audio output for various music styles. The unit offers multiple surround sound field modes, strong bass, soft midrange, and bright treble for a transparent stereo sound experience.



Bluetooth

Built-in Bluetooth with A2DP /Hands Free/Phone book



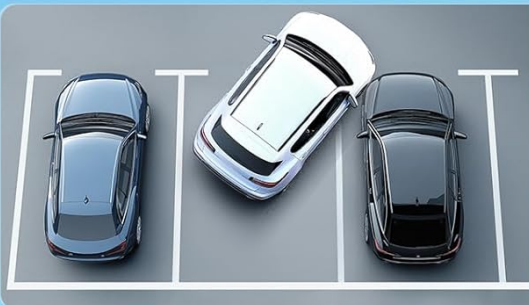
FM/RDS

Stable FM/RDS signal, supports 18 preset stations



SWC Function

Easy control of the radio through the steering wheel



Rear Camera

Support AHD camera, reversing auxiliary line to help safe parking

Image: The equalizer settings screen, showing adjustable frequency bands and sound field options to customize the audio output to personal preferences.

6. MAINTENANCE

To ensure the longevity and optimal performance of your Motorsi Carplay Autoradio, follow these maintenance guidelines:

- **Cleaning:** Use a soft, dry cloth to clean the screen and unit. Avoid abrasive cleaners or solvents.
- **Temperature Range:** The autoradio is designed to operate within a temperature range of -20°C to 75°C. Avoid exposing the unit to extreme temperatures outside this range.
- **Software Updates:** Periodically check for and install software updates to ensure the best performance and access to new features.

7. TROUBLESHOOTING

7.1 Dashboard Flickering Issue

If you experience dashboard flickering after installation, this is often related to incorrect Canbus configuration. Follow the steps outlined in Section 4.2 (Canbus Configuration) to resolve this issue.

If the problem persists after verifying the Canbus connections and protocol settings, please contact technical support with detailed information and images of your Canbus setup and rear cable connections.

8. SPECIFICATIONS

Feature	Specification
Brand	Motorsi
Model Number	2+64G
Connectivity Technology	USB, Wi-Fi
Controller Type	Android
Special Feature	Apple CarPlay
Compatible Devices	Smartphone, Tablet, TV, Amplifier, Speaker, Navigator, Rear Camera
Total HDMI Ports	2
Audio Output Mode	Surround
Surround Sound Channel Configuration	4.0
Video Encoding	MKV, RMVB, AVI, MP4, MDV
Output Power	45 Watts (per channel), 180 Watts (total)
Number of Channels	4
Internet Applications	Internet Radio, Global Weather
Audio Output Type	Speakers
Supported Formats	AVI, WAV, WMA
Weight	1.56 Kilograms
Country of Origin	China

9. WARRANTY AND SUPPORT

Your Motorsi Carplay Autoradio comes with a **1-year warranty** from the date of purchase. This warranty covers manufacturing defects and ensures the product meets quality standards.

For any technical assistance, installation queries, or troubleshooting not covered in this manual, professional technical support is available. Please refer to the seller's contact information on your purchase platform to reach out for support.

Professional Technical Support

STEP 1

Only 6 left in stock.

Quantity: 1

Add to Basket

Buy Now

Dispatches from Amazon

Sold by Huanhuan shop

Returns Returnable if requested within 14 days of receipt.

Payment Secure transaction

For further information, company details, terms and conditions, and cancellation rights, please click on the seller's name.

Add gift options

STEP 2

Huanhuan shop

Visit the Huanhuan shop storefront

★★★★★ | 100% positive in the last 12 months (19 ratings)

About seller

Wir sind autorisierter Händler von Podofo-Markenprodukten und beziehen unseren Lagerbestand direkt vom Hersteller. Die verkauften Produkte sind garantiert brandneu und authentisch.

Kundendienst:

- ✓ 30 Tage Geld-zurück-Garantie
- ✓ 12 Monate technische Garantie
- ✓ 24-Stunden Online-Kundenservice

Wenn Sie weitere Fragen haben, kontaktieren Sie uns bitte direkt unter mangjiwu@163.com, wir werden Ihnen gerne weiterhelfen!

Have a question for Huanhuan shop?

Ask a question



Have a question for Huanhuan shop?

Ask a question

Image: A guide on how to access professional technical support by navigating to the seller's page and using the 'Ask a question' feature.