

[Manuals.plus](#) /

› [Merax](#) /

› Merax Full Size Bamboo Platform Bed Instruction Manual

Merax Merax

Merax Full Size Bamboo Platform Bed Instruction Manual

Model: Merax | Brand: Merax

1. PRODUCT OVERVIEW

The Merax Full Size Bamboo Platform Bed is a mid-century modern bed frame designed for comfort and durability. It features a tall headboard, solid sustainable bamboo construction, and wood slat support, eliminating the need for a box spring. This bed frame combines rustic charm with clean contours to enhance any bedroom decor.



Figure 1: Merax Full Size Bamboo Platform Bed, Chocolate finish.

2. SAFETY INFORMATION

Please read and understand all safety information before assembly and use.

- Do not load more than 500 pounds on the bed frame.
- Exercise caution around sharp edges during assembly and use to prevent injury.
- Always follow the assembly instructions carefully to ensure stability and prevent collapse.
- Keep small parts away from children during assembly.

3. KEY FEATURES

- **Attractive Design:** Natural bamboo textures and clean contours provide a mid-century modern aesthetic that complements various room decors.

- **Comfortable Experience:** Skin-friendly bamboo material ensures a healthy sleeping environment. The noiseless slatted design prevents squeaks, and the 42.5-inch tall headboard offers comfortable backrest support.
- **Space-saving:** Features 8 inches of under-bed storage space for organizing items. The height also allows for easy cleaning by robotic vacuums.
- **Lightweight Yet Solid:** Made from bamboo, the frame is lightweight for easy repositioning, yet robust. Reinforced metal support rods and legs provide excellent stability, supporting up to 500 pounds.
- **No Box Spring Needed:** Reliable slats offer direct support for latex, memory foam, or spring mattresses.
- **Easy Assembly:** Designed for straightforward and quick assembly with minimal tools required.
- **Sustainable Material:** Constructed from fast-growing, renewable bamboo, contributing to reduced deforestation and a minimized environmental impact.

Thoughtful Details



Made with Solid Dry Bamboo



Mortise and Tenon Structure



7.3" Under Bed Storage





Noise Free Padding



Slats Fixed wth Velcro Design



Easily Assembled Metal Support

Figure 2: Thoughtful details of the bed frame's construction and features.

4. SPECIFICATIONS

Attribute	Detail
-----------	--------

Brand	Merax
Model Number	Merax
Size	Full
Product Dimensions	84"L x 58"W x 42.5"H
Color	Chocolate
Finish Type	Painted
Item Weight	76.5 pounds
Weight Capacity	Up to 500 pounds
Assembly Required	Yes
Included Components	Bed Frame, Assembly Instructions

Full size: inch

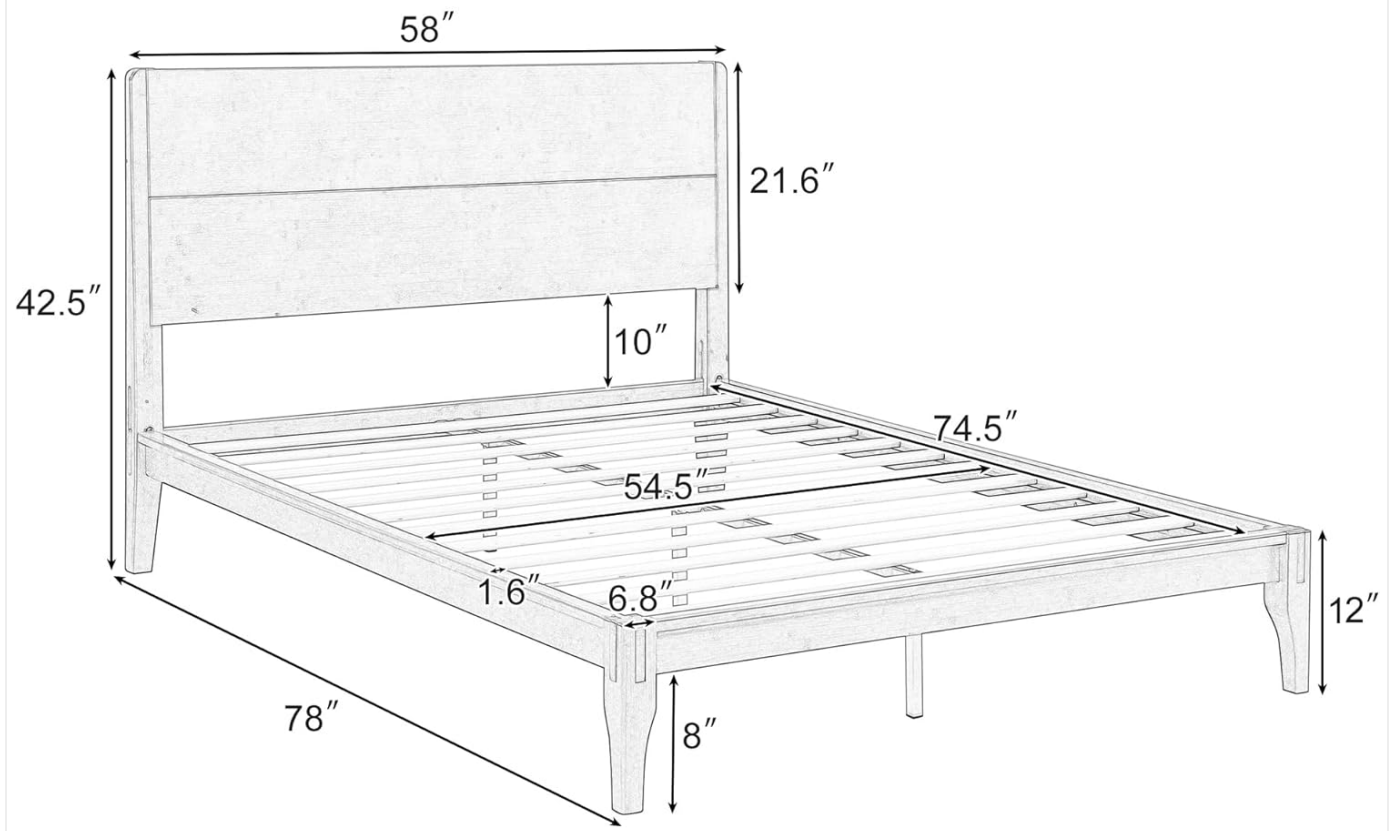


Figure 3: Detailed dimensions of the Merax Full Size Bamboo Platform Bed.

5. SETUP AND ASSEMBLY

The Merax Bamboo Platform Bed is designed for easy and straightforward assembly. Please follow the included detailed

assembly instructions for best results. Ensure all parts are present before beginning.

1. Unpack all components and verify against the parts list in the separate assembly instructions.
2. Lay out all components on a clean, soft surface to prevent scratching.
3. Assemble the headboard and footboard sections according to the diagrams.
4. Attach the side rails to the headboard and footboard, ensuring secure connections.
5. Install the central support beam and legs for added stability.
6. Place the wooden slats onto the frame. The slats are designed with a Velcro system for secure placement and noise reduction.
7. Tighten all screws and bolts firmly, but do not overtighten.
8. Carefully move the assembled bed frame to its desired location.



Figure 4: View of the bed frame's slat support system.

6. OPERATING AND DAILY USE

Once assembled, the Merax Bamboo Platform Bed is ready for immediate use. No special operation is required beyond placing your mattress directly onto the slats.

- Ensure the bed frame is placed on a level surface to maintain stability.
- The 8-inch clearance beneath the bed allows for convenient under-bed storage or easy access for cleaning robots.
- The tall headboard provides comfortable support for sitting up in bed.

7. MAINTENANCE

To ensure the longevity and appearance of your Merax Bamboo Platform Bed, follow these simple maintenance guidelines:

- **Cleaning:** Wipe down the bamboo surfaces with a soft, damp cloth. Avoid harsh chemicals or abrasive cleaners, which can damage the finish.
- **Dusting:** Regularly dust the frame with a dry, soft cloth to prevent buildup.
- **Inspections:** Periodically check all bolts and screws to ensure they remain tight. Retighten if necessary to maintain structural integrity and prevent squeaks.
- **Avoid Excessive Moisture:** While bamboo is durable, prolonged exposure to excessive moisture should be avoided.
- **Weight Distribution:** Distribute weight evenly across the bed to prevent undue stress on any single point.

8. TROUBLESHOOTING

If you encounter any issues with your Merax Bamboo Platform Bed, refer to the following common solutions:

Problem	Possible Cause	Solution
Squeaking noises	Loose bolts or slats rubbing	Tighten all assembly bolts. Ensure slats are properly seated and the Velcro is secure.
Bed feels unstable/wobbly	Improper assembly or uneven floor	Re-check all connections and ensure they are fully tightened. Verify the bed is on a level surface; use shims if necessary.
Parts missing or damaged upon arrival	Shipping issue	Contact Merax customer support immediately with your order details.

9. WARRANTY AND SUPPORT

Merax stands behind the quality of its products. For specific warranty details, please refer to the warranty card included with your purchase or visit the official Merax website. If you require assistance with assembly, parts, or have any questions, please contact Merax customer support.

Customer Support: Refer to the contact information provided in your packaging or on the Merax brand store page on Amazon.

Returns: This product is eligible for 30-day easy returns. Please refer to Amazon's return policy for details.