



[Manuals.plus](#) /

› [Richelock](#) /

› Richelock IU52 Double-Sided Keypad Door Lock Instruction Manual

## Richelock IU52

# Richelock IU52 Double-Sided Keypad Door Lock Instruction Manual

Model: IU52 | Brand: Richelock

## PRODUCT OVERVIEW

---

The Richelock IU52 Double-Sided Keypad Door Lock provides secure and convenient keyless entry with dual-sided programmable codes. Designed for all-weather use, it is suitable for outdoor, indoor, gate, and fence applications. This manual provides detailed instructions for installation, operation, and maintenance.

# DUAL-SIDED DOOR LOCK FOR GATES & SECURE AREAS



Image: Richelock IU52 Double-Sided Keypad Door Lock in a dual-sided configuration, suitable for gates and secure areas. Features include passcode, key access, and all-weather durability.

## PACKAGE CONTENTS

Before beginning installation, verify that all components are present in the package:

- **Lock Assembly:** Exterior and Interior units
- **Latch**
- **Mounting Plate**
- **Strike Plate**
- **Screws:** Various sizes for different components
- **Spindles:** Multiple sizes for varying door thicknesses
- **Keys:** 4 mechanical keys
- **User Guide & Quick Start Guide**
- *(Note: 2 AA Batteries are NOT included)*

# WHAT'S IN THE BOX?

(2 AA Batteries not included)



Image: All components included in the Richelock IU52 Double-Sided Keypad Door Lock package. Note that 2 AA batteries are required but not supplied.

## INSTALLATION GUIDE

This section provides step-by-step instructions for installing your Richelock IU52 Double-Sided Keypad Door Lock. A Phillips screwdriver is required.

### Video: IU52 Double-Sided Lock Installation

Your browser does not support the video tag.

Video: A detailed installation guide for the Richelock IU52 Double-Sided Keypad Door Lock, demonstrating each step from unboxing to final testing.

### Step-by-Step Installation

#### 1. Disassembly of the Lock:

- Remove the screw on the battery cover.

- Gently separate the battery cover.
- Remove the 2 screws inside the battery compartment.
- Locate and remove 1 screw beneath the knob on the interior assembly.
- Carefully separate the interior assembly by pulling it backward.
- Remove the 2 screws securing the mounting plate.
- Separate the mounting plate from the lock body.
- Slide the latch off along the spindle to complete disassembly.

## 2. Prepare the Door:

- Check door dimensions and adjust the latch if necessary (fits standard US doors with 2-3/8" or 2-3/4" backset).
- Install the latch into the door edge.

## 3. Assemble the Lock:

- Insert the exterior assembly. **IMPORTANT:** Make sure the spindle is installed with the 'THIS SIDE UP' marking facing upward. Position the power cable above the latch mechanism.
- Install the mounting plate, ensuring the power cable passes through the designated opening.
- Install the interior assembly. **IMPORTANT:** Ensure the two screws securing the interior assembly are fully tightened.
- Connect the power cable, ensuring proper orientation alignment.
- Install the batteries (2 AA batteries, not included).
- Restore factory settings by pressing the reset button (usually located near the battery compartment) until a beep is heard.
- Perform a default master code test and knob rotation test to ensure proper function.
- Install the battery cover and secure it with the screw.

# Fits Most Doors

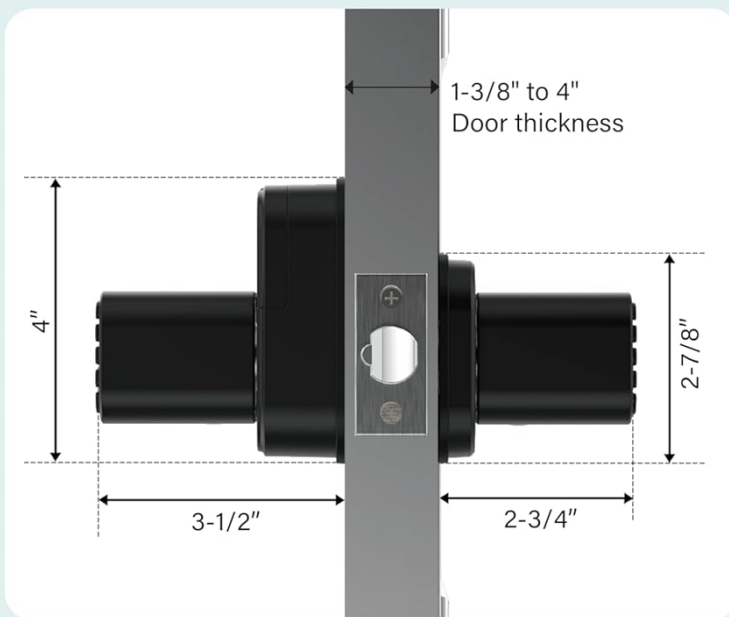


Image: Door dimensions and adjustable latch mechanism for compatibility with various door types.

## OPERATING INSTRUCTIONS

The IU52 lock offers multiple modes for flexible access control.

- **Dual-Sided Keypad Entry:** Both exterior and interior knobs feature identical backlit keypads. Users can enter their unique code on either side for access.
- **Custom Code & Peep-Proof Security:** Store up to 50 unique 1-15 digit access codes per side. The peep-proof security feature allows you to enter random digits before or after your actual code to prevent others from guessing it.
- **Code Sync Feature:** Programming a code on one keypad will instantly mirror it to the opposite side, ideal for gates or doors requiring synchronized access.
- **Mechanical Keys:** Four mechanical keys are provided for traditional key access.
- **Keyless Auto-Lock:** The smart auto-lock feature is set to 5 seconds by default but is adjustable from 2 seconds to 12 hours. This ensures the gate or door is automatically secured after a set period.
- **Manual Mode:** For full control, manual mode allows you to disable auto-lock and lock/unlock the door manually.
- **Guest Mode:** Enable guest mode for temporary keyless entry without needing to share permanent codes.

- **Silent Mode:** Activate silent mode for discreet use, disabling audible feedback from the keypad.

# ADVANCED SECURITY & PRIVACY PROTECTION



50 Codes



4 Keys



Auto-lock



Manual lock



Anti-peep



All-weather



2 Years  
Battery life

Image: Overview of the advanced security and privacy protection features of the IU52 lock, including multiple access methods and customizable settings.

## MAINTENANCE

Proper maintenance ensures the longevity and optimal performance of your Richelock IU52 lock.

- **Battery Replacement:** The lock requires 2 AA batteries (not included). It offers 2+ years of battery life with low-battery alerts. Replace batteries promptly when alerts are triggered.
- **Emergency Power:** In case of complete battery depletion, emergency Type-C ports beneath each handle provide instant power for temporary access.
- **All-Weather Durability:** The heavy-duty, fully waterproof design withstands extreme temperatures from -22°F to 176°F. Regular cleaning with a soft, damp cloth is recommended to maintain its appearance and functionality, especially in harsh environments. Avoid abrasive cleaners.



Image: The internal battery compartment for 2 AA batteries and the external USB-C port for emergency power, highlighting key maintenance features.

## TROUBLESHOOTING

---

If you encounter issues with your Richelock IU52 lock, refer to the following common solutions:

- **Lock Not Responding:** Check battery levels. If batteries are low or depleted, replace them or use the emergency Type-C power port.
- **Keypad Not Lighting Up:** This usually indicates low battery. Replace batteries.
- **Codes Not Working:** Ensure you are entering the correct code. Try restoring factory settings and reprogramming codes if necessary. Verify the spindle is correctly oriented ("THIS SIDE UP").
- **Knob Not Turning:** Check for any obstructions in the latch mechanism. Ensure the interior assembly screws are fully tightened, as loose screws can affect operation.
- **Auto-Lock Malfunction:** Verify the auto-lock settings. If set to manual mode, the lock will not auto-lock.

## SPECIFICATIONS

---

Feature	Specification
Brand	Richelock
Model Number	IU52
Lock Type	Keypad
Material	Zinc
Color	Matte Black (variant shown in JSON, but general model is IU52)
Finish Type	Electroplated
Control Method	Touch
Item Weight	1.39 Kilograms
Power Source	2 AA Batteries (not included)
Operating Temperature	-22°F to 176°F
Door Thickness Compatibility	1-3/8" to 4"
Backset Compatibility	2-3/8" or 2-3/4"

## WARRANTY AND SUPPORT

---

The Richelock IU52 Double-Sided Keypad Door Lock comes with a **1-year warranty**. For any questions, technical assistance, or warranty claims, please contact Richelock customer support. **24/7 support** is available to assist you. For further information, please refer to the official Richelock website or contact their customer service directly.