

Manuals+

[Q & A](#) | [Deep Search](#) | [Upload](#)

manuals.plus /

- › [Ibera](#) /
- › [Ibera IB-RA5 Disc Brake Bicycle Touring Carrier Plus+ Instruction Manual](#)

Ibera IB-RA5

Ibera IB-RA5 Disc Brake Bicycle Touring Carrier Plus+ Instruction Manual

INTRODUCTION

This manual provides essential information for the proper installation, operation, and maintenance of your Ibera IB-RA5 Disc Brake Bicycle Touring Carrier Plus+. Please read these instructions thoroughly before installation and use to ensure safe and optimal performance.

SAFETY INFORMATION

Always ensure all bolts are securely tightened before each ride. Do not exceed the maximum load capacity of 25 kg (55 lb). Regularly inspect the rack for any signs of wear, damage, or loose connections. Improper installation or overloading can lead to serious injury or damage to your bicycle.

WHAT'S IN THE BOX

- Ibera IB-RA5 Bike Rack
- Mounting Accessories (bolts, spacers, mounting arms)

SETUP AND INSTALLATION

The Ibera IB-RA5 is designed for bicycles with disc brakes and is compatible with most 26-29 inch and 700c frames. Installation typically requires 3mm, 4mm, and 5mm Allen wrenches (not included).

1. **Attach Lower Mounting Arms:** Secure the lower mounting arms to the eyelets near the rear axle of your bicycle frame. Ensure the correct spacers are used to clear the disc brake caliper.
2. **Position the Rack:** Place the main rack body over the rear wheel.
3. **Attach Upper Mounting Arms:** Connect the adjustable upper mounting arms from the rack to the eyelets on the seat stays of your bicycle. Adjust the length and angle to ensure the rack is level and centered over the wheel.
4. **Tighten All Connections:** Once the rack is properly aligned, securely tighten all bolts. Do not overtighten.



Image: Close-up view of the lower mounting arm installation, demonstrating clearance for the disc brake caliper. The rack is designed to accommodate disc brake systems.

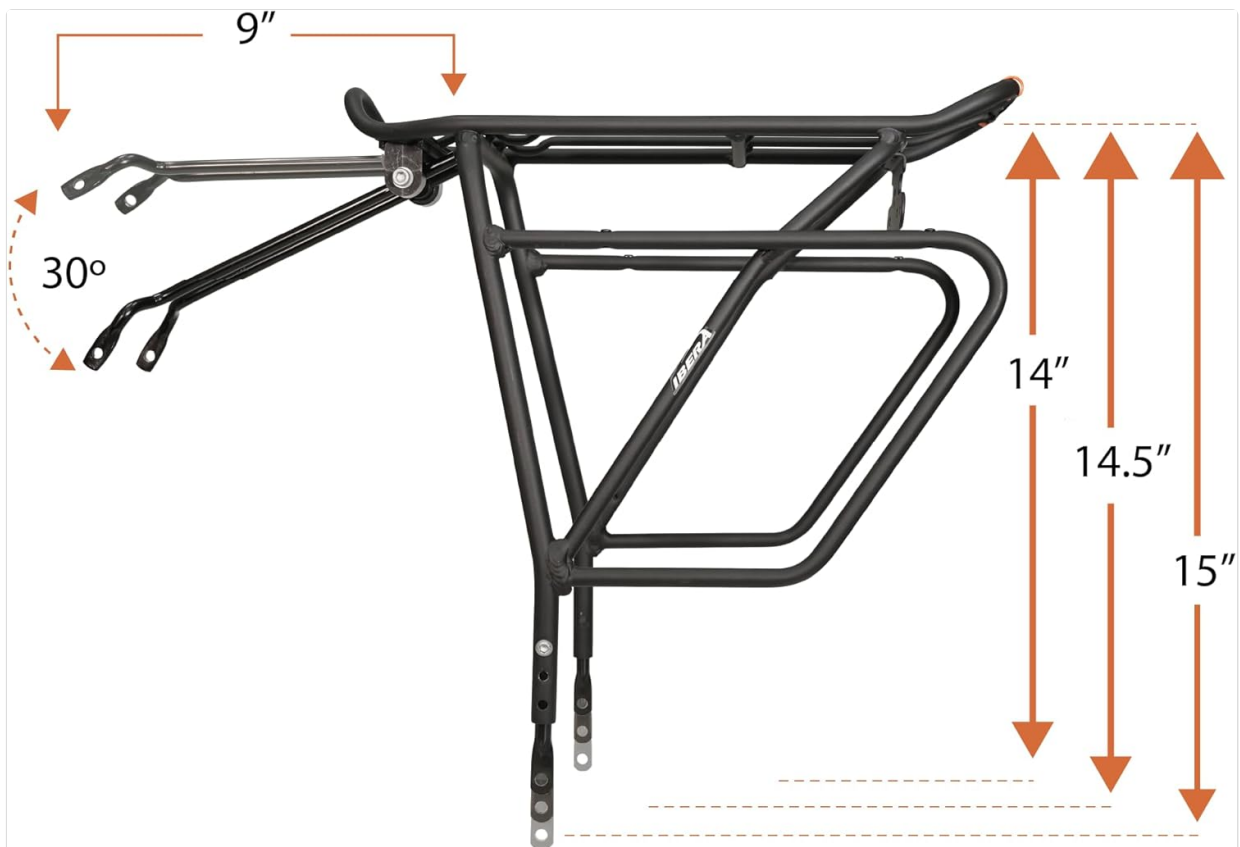


Image: The adjustable upper mounting arms allow for precise positioning of the rack to ensure it is level and fits various frame sizes (14-15 inches adjustable height).

Your browser does not support the video tag.

Video: This video demonstrates the installation process of the Ibera bike rack, highlighting the steps for securing it to a bicycle frame with disc brakes. It shows how to attach the lower and upper mounting arms and adjust for proper fit.

Your browser does not support the video tag.

Video: This video provides an overview of the Ibera bike rack, including its installation and how it integrates with the PakRak system for attaching bags and panniers. It emphasizes the rack's strength and convenience for touring and commuting.

OPERATING INSTRUCTIONS

The Ibera IB-RA5 is designed to work seamlessly with Ibera PakRak clip-on bags and panniers. The Plus+ design allows for simultaneous mounting of trunk bags and panniers.

- **Attaching PakRak Bags:** Align the PakRak bag with the rack's top plate and slide it forward until it clicks securely into place.
- **Attaching Panniers:** Hang compatible Ibera panniers onto the side rails of the rack. Ensure they are securely fastened to prevent movement during your ride.
- **Securing Other Items:** The rack features multiple points for attaching bungee cords or straps to secure non-PakRak items.



Image: The Ibera bike rack shown with both a trunk bag and side panniers attached, demonstrating its capacity for heavier top and side loads.

MAINTENANCE

To ensure the longevity and performance of your Ibera bike rack, follow these maintenance guidelines:

- **Cleaning:** Clean the rack regularly with mild soap and water. Rinse thoroughly and dry completely to prevent corrosion.
- **Inspection:** Periodically check all bolts and connections for tightness. Re-tighten as necessary. Inspect the aluminum frame for any cracks or damage.
- **Lubrication:** No lubrication is required for the rack itself.

TROUBLESHOOTING

- **Rack Not Level:** Adjust the length and angle of the upper mounting arms until the rack sits level.
- **Interference with Disc Brakes:** Ensure the correct disc brake version of the rack is used and that spacers are properly installed to provide adequate clearance for the caliper.
- **Loose Rack:** Check all mounting bolts and ensure they are tightened to the manufacturer's

specifications.

SPECIFICATIONS

Feature	Specification
Material	TIG-welded, heat-treated, anodized aluminum
Color	Black
Item Weight	1.7 Pounds (760g)
Product Dimensions	15.5"L x 8"W x 15"H
Mounting Type	Frame mount
Load Capacity	25 kg (55 lb)
Wheel Size Compatibility	26-29 Inch bicycle frames and 700c frames
Style	Disc Brake



Image: Detailed dimensions of the Ibera bike rack, showing its length, width, and adjustable height range.



Image: Key features of the rack, emphasizing its lightweight yet durable aluminum construction and 55 lb load capacity.

WARRANTY

The Ibera IB-RA5 Bicycle Touring Carrier Plus+ comes with a 1-Year Warranty. Please retain your proof of purchase for warranty claims.

SUPPORT

For further assistance or inquiries, please refer to the official Ibera website or contact their customer support. Ensure you have your product model number (IB-RA5) and purchase details available.