



Manuals.plus /

› Bellemave /

› Bellemave Twin Floor Bed with Slats and High Guardrail User Manual

Bellemave FST00180-T-AK1

Bellemave Twin Floor Bed with Slats and High Guardrail User Manual

Model: FST00180-T-AK1 | Brand: Bellemave

IMPORTANT SAFETY INFORMATION

Please read all instructions carefully before assembly and use. Keep this manual for future reference.

- Exercise caution around sharp edges during assembly to prevent injury.
- Do not exceed the maximum weight recommendation of 250 pounds (113 kg). Overloading can compromise the bed's structural integrity.
- Always follow the assembly instructions precisely to ensure the bed's stability and prevent collapse.
- Regularly check all bolts and connections to ensure they remain tight. Retighten as necessary.
- Ensure the bed is placed on a flat, level surface.
- Keep small parts away from children during assembly to avoid choking hazards.

PRODUCT OVERVIEW

The Bellemave Twin Floor Bed is designed for comfort and safety, featuring a low-profile design with integrated guardrails and a convenient charging station. This bed frame is constructed with wood slats, eliminating the need for a box spring.



Image: The Bellemave Twin Floor Bed, white, shown in a child's room with bedding and decorative elements.

SPECIFICATIONS

Brand	Bellemave
Model Number	FST00180-T-AK1
Size	Twin
Product Dimensions	79.5"L x 43.75"W x 17.75"H
Color	White
Finish Type	Lacquered
Included Components	Guardrails, Slats, Charging Station
Compatible Mattress Size	Twin
Assembly Required	Yes
Item Weight	48 pounds (21.77 kg)
Maximum Weight Capacity	250 pounds (113 kg)

SIZE:INCH

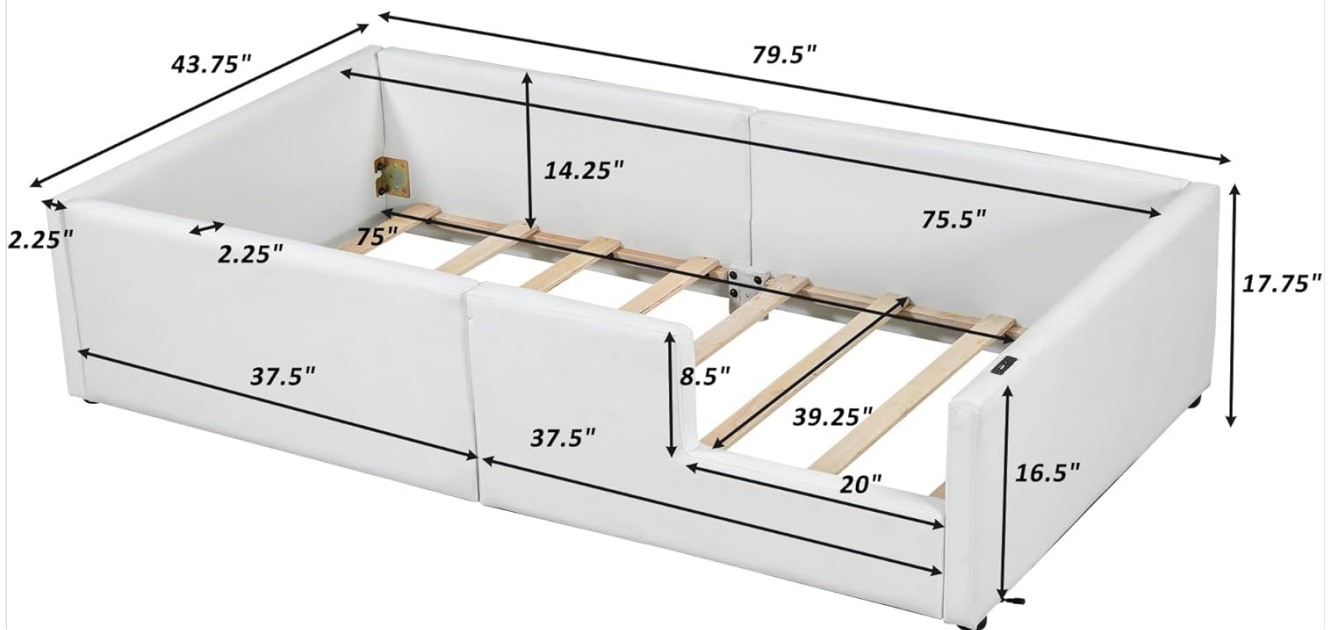


Image: Detailed dimensions of the Bellemave Twin Floor Bed, showing length, width, and height measurements.

PACKAGE CONTENTS

Before beginning assembly, ensure all parts listed in the included step-by-step installation manual are present and undamaged. Typically, your package will include:

- Bed Frame Components (Headboard, Footboard, Side Rails)

- Wood Slats
- Guardrails
- Charging Station Module (USB and Type-C ports)
- Hardware Pack (screws, bolts, nuts, Allen wrench, etc.)
- Assembly Instruction Manual

If any parts are missing or damaged, please contact Bellemave customer support immediately.

ASSEMBLY INSTRUCTIONS

Assembly is required for this product. Please follow the detailed step-by-step instructions provided in the separate manual included with your package. The following is a general guide:

1. **Unpack and Identify Parts:** Carefully unpack all components and lay them out on a clean, soft surface to prevent scratches. Identify each part using the provided parts list in your manual.
2. **Assemble Bed Frame:** Connect the main bed frame components (headboard, footboard, side rails) using the provided hardware. Ensure all connections are secure but do not fully tighten bolts until the frame is aligned.
3. **Install Slats:** Place the wood slats across the bed frame. Secure them according to the instructions to ensure proper mattress support.
4. **Attach Guardrails:** Securely attach the guardrails to the designated areas of the bed frame.
5. **Install Charging Station:** Integrate the charging station module into the designated slot on the bed frame. Connect any necessary wiring as per the manual.
6. **Final Tightening:** Once all components are in place and aligned, fully tighten all bolts and screws. Do not overtighten.



Image: An internal view of the Bellemave Twin Floor Bed frame, showing the wooden slats and the integrated charging port on the side rail.



Image: A close-up of the integrated charging station, featuring both USB and Type-C ports, designed for convenient device charging.

OPERATING INSTRUCTIONS

The Bellemave Twin Floor Bed is designed for ease of use and safety.

- **Mattress Placement:** Place a standard twin-sized mattress directly onto the wooden slats. No box spring is required.
- **Guardrail Functionality:** The integrated high guardrails provide a secure sleeping environment, preventing accidental falls. The upholstered design offers comfortable support for sitting or leaning.
- **Charging Station Use:** To use the charging station, connect your device's USB or Type-C cable to the corresponding port on the side of the bed. Ensure the bed is connected to a power source (if applicable, typically via a power cord not explicitly mentioned but implied by "charging station").

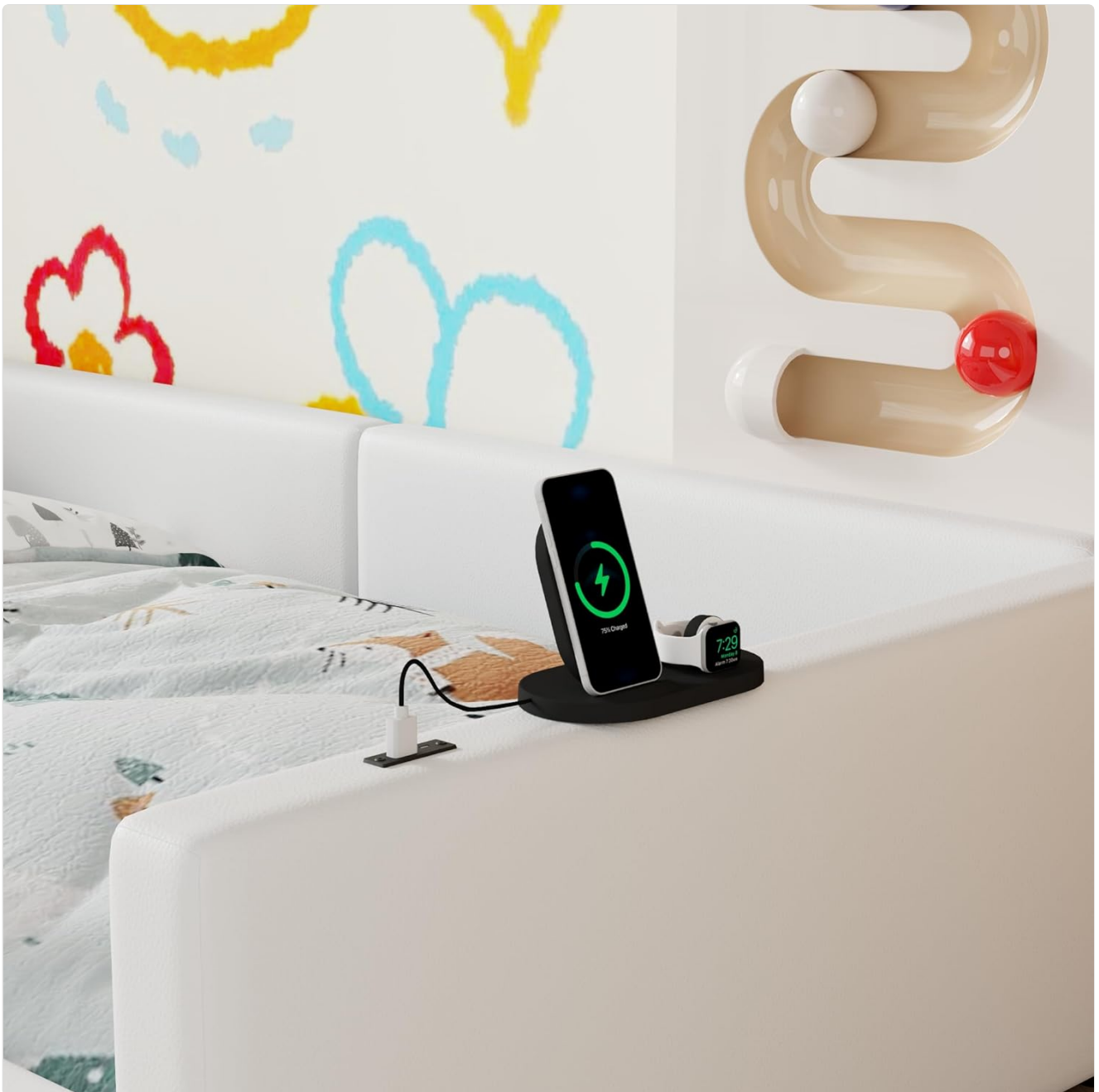


Image: A smartphone actively charging on the integrated charging station, highlighting the convenience of the USB and Type-C ports.

CARE AND MAINTENANCE

- **Cleaning:** For general cleaning, wipe the bed frame with a soft, damp cloth. For the faux leather upholstered guardrails, a mild soap solution can be used, then wipe dry immediately. Avoid harsh chemicals or abrasive cleaners.
- **Hardware Check:** Periodically inspect all bolts, screws, and connections. Tighten any that have become loose to maintain the bed's stability and safety.
- **Avoid Direct Sunlight:** Prolonged exposure to direct sunlight may cause fading or damage to the finish.
- **Spills:** Clean spills immediately to prevent staining, especially on upholstered parts.

TROUBLESHOOTING

Problem	Possible Cause	Solution
Bed feels wobbly or unstable.	Loose hardware connections.	Check and tighten all bolts and screws. Ensure the bed is on a level surface.
Mattress slides on slats.	Incorrect mattress size or lack of friction.	Ensure a twin-sized mattress is used. Consider placing a non-slip mat between the mattress and slats if sliding persists.
Charging station not working.	Not connected to power, faulty cable, or device issue.	Verify the bed's power cord (if applicable) is securely plugged in. Try a different charging cable or device to rule out external issues.
Missing parts during assembly.	Packaging error.	Refer to the package contents list in your manual. Contact Bellemave customer support for replacement parts.

WARRANTY AND CUSTOMER SUPPORT

For warranty information, specific product inquiries, or assistance with assembly and parts, please contact Bellemave customer support. Details can typically be found on the Bellemave website or through the retailer where the product was purchased.

You can visit the Bellemave store on Amazon for more information: [Bellemave Store](#)