

[Manuals.plus](#) /

> [FAMAPY](#) /

> FAMAPY 6-Drawer Dresser Instruction Manual

## FAMAPY B0F7K9VCF8

# FAMAPY 6-Drawer Dresser Instruction Manual

Model: B0F7K9VCF8

## INTRODUCTION

---

Thank you for choosing the FAMAPY 6-Drawer Dresser. This manual provides essential information for the safe assembly, operation, and maintenance of your new furniture. Please read these instructions carefully before beginning assembly and retain them for future reference.



Image: The FAMAPY 6-Drawer Dresser, white, featuring a minimalist design with six drawers and no visible handles, placed in a contemporary bedroom.

## SAFETY INFORMATION

---

- **Anti-Tip Device:** For your safety, an anti-tip device is included. It is crucial to install this device to prevent the dresser from tipping over, especially in households with children.
- **Two-Person Assembly:** Assembly requires two people to ensure stability and ease of construction. Do not attempt to assemble alone.
- **Gentle Handling:** Assemble the item gently to prevent damage due to violent installation.
- **Weight Capacity:** Do not overload drawers or place excessively heavy items on the tabletop. Refer to specifications for weight limits if available.
- **Stable Surface:** Always place the dresser on a flat, stable, and level surface.

## PARTS LIST AND HARDWARE

---

Before beginning assembly, carefully check all components against the provided parts list in your assembly instructions. Ensure all pieces are present and undamaged. Each piece is labeled, and all necessary hardware is included.

- Dresser Panels (Top, Bottom, Sides, Back)
- Drawer Fronts, Sides, and Bottoms
- Drawer Glides/Runners
- Assembly Hardware (Screws, Dowels, Cam Locks, etc.)
- Anti-Tip Kit

If any parts are missing or damaged, please contact FAMAPY customer support immediately for assistance.

## ASSEMBLY INSTRUCTIONS

---

Follow the step-by-step instructions provided in the separate assembly guide included with your product. Pay close attention to diagrams and ensure all connections are secure before proceeding to the next step.

1. **Preparation:** Clear a spacious area for assembly. Lay out all parts on a soft, clean surface to prevent scratches.
2. **Review Instructions:** Carefully read through the entire assembly manual before starting. Identify all parts and hardware.
3. **Assemble Frame:** Begin by assembling the main frame of the dresser according to the instructions.
4. **Install Drawer Glides:** Attach the drawer glides to the dresser frame and drawer sides as directed.
5. **Assemble Drawers:** Construct each drawer, ensuring the bottoms are securely in place.
6. **Insert Drawers:** Carefully slide the assembled drawers into the dresser frame.
7. **Attach Anti-Tip Device:** Securely attach the anti-tip device to the dresser and the wall as per the instructions. This step is critical for safety.

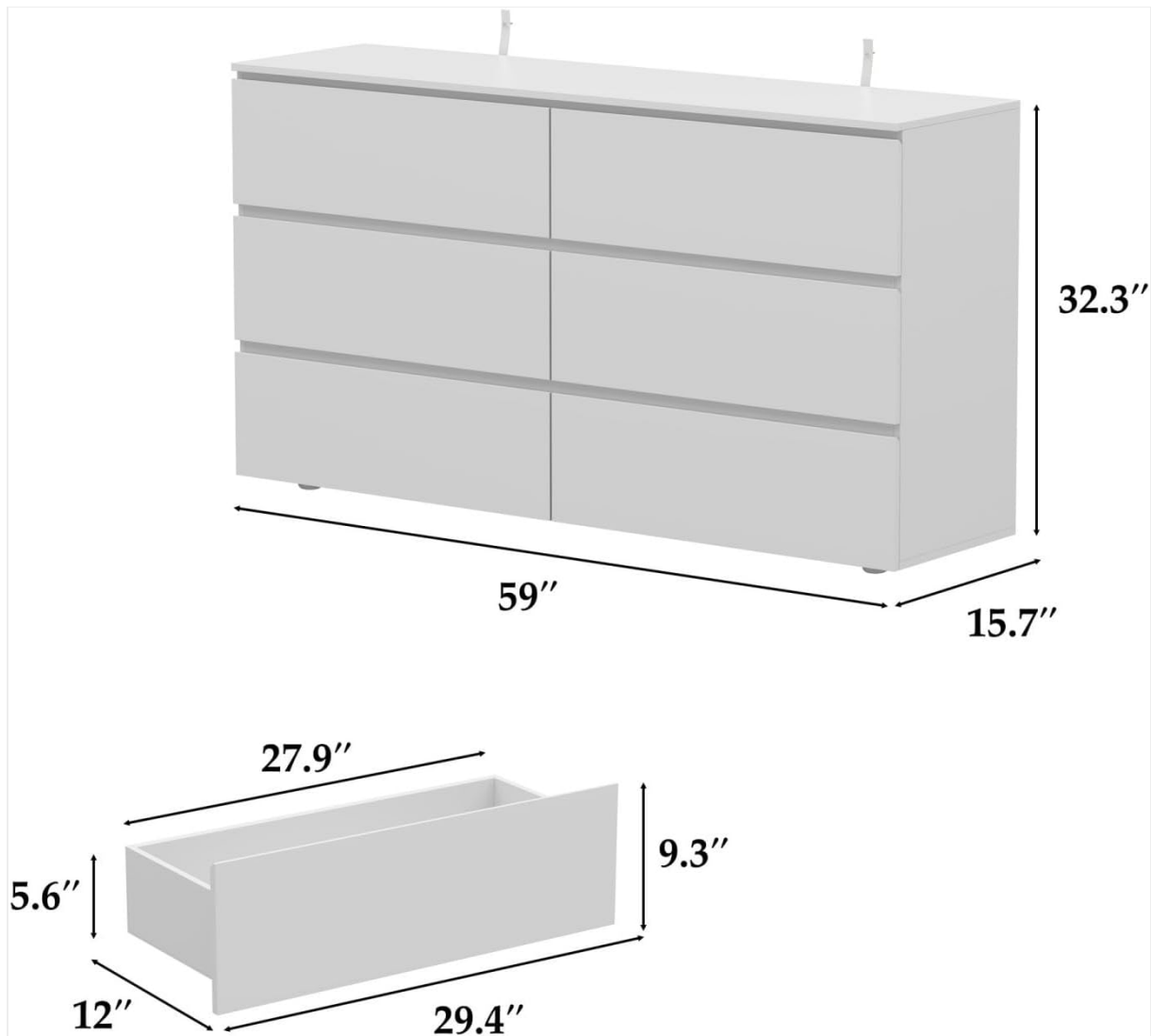


Image: Technical diagram illustrating the overall dimensions of the dresser (59"W x 15.7"D x 32.3"H) and the internal dimensions of a single drawer (27.9"W x 12"D x 9.3"H, with a 5.6" front panel height).



Image: Rear view of the dresser, highlighting the particle board construction and the designated areas for attaching the anti-tip safety straps to the wall.

## OPERATING INSTRUCTIONS

The FAMAPY 6-Drawer Dresser features a minimalist design without external handles. To open a drawer, gently pull the top edge of the drawer front. To close, push the drawer firmly until it is fully seated within the frame.

- **Drawer Capacity:** Each of the six spacious drawers provides ample storage for clothing, linens, and other personal items.
- **Top Surface:** The 59-inch tabletop can be used to display decorative items, photo albums, or small electronic devices. Ensure items are placed stably and do not exceed the dresser's weight capacity.



Image: A detailed view of the dresser with two drawers slightly ajar, showcasing the internal storage space and the handle-less design.

## CARE AND MAINTENANCE

---

- **Cleaning:** The smooth veneer surface of the dresser is easy to clean. Wipe with a soft, damp cloth. Avoid abrasive cleaners or harsh chemicals that could damage the finish.
- **Spills:** Immediately wipe up any spills to prevent moisture damage or staining.
- **Sunlight Exposure:** Avoid prolonged exposure to direct sunlight to prevent fading or discoloration of the finish.
- **Regular Checks:** Periodically check all screws and fasteners to ensure they remain tight. Retighten if necessary.

## TROUBLESHOOTING

---

- **Drawers not sliding smoothly:** Check that drawer glides are correctly installed and free of obstructions. Ensure all screws on the glides are tightened.
- **Dresser feels unstable:** Verify that the anti-tip device is properly installed and secured to the wall. Ensure the dresser is on a level surface and all assembly fasteners are tight.

- **Minor damage during assembly:** If minor damage occurs, such as a small chip or scratch, touch-up pens or furniture repair kits can be used. For significant damage or missing parts, contact customer support.

For issues not covered here, please refer to the contact information in the Support section.

## SPECIFICATIONS

<b>Brand</b>	FAMAPY
<b>Model</b>	B0F7K9VCF8
<b>Product Dimensions</b>	15.7"D x 59"W x 32.3"H
<b>Color</b>	White
<b>Room Type</b>	Bedroom
<b>Assembly Required</b>	Yes
<b>Material</b>	Quality Particle Board
<b>Storage Options</b>	6 Drawers

## WARRANTY AND SUPPORT

For warranty information, missing parts, or any questions regarding your FAMAPY 6-Drawer Dresser, please contact FAMAPY customer support. Refer to the contact details provided with your purchase documentation or visit the official FAMAPY website for assistance.

*Please note: Proof of purchase may be required for warranty claims.*