

Manuals+

[Q & A](#) | [Deep Search](#) | [Upload](#)

manuals.plus /

› [VEVOR](#) /

› [VEVOR Trapeze Bar for Bed Mobility User Manual](#)

VEVOR FBL900976

VEVOR Trapeze Bar for Bed Mobility User Manual

Model: FBL900976

Brand: VEVOR

1. INTRODUCTION

The VEVOR Trapeze Bar for Bed Mobility is designed to provide assistance for individuals with limited mobility, including seniors, disabled persons, and those recovering from injury or surgery. This free-standing unit aids in safely transferring to a wheelchair, getting in and out of bed independently, and can also be used for upper body strengthening exercises. Its robust construction and adjustable features ensure reliable and comfortable support.



Image 1: The VEVOR Trapeze Bar for Bed Mobility, a free-standing unit with an adjustable handle and sturdy base.

2. SAFETY INFORMATION

Please read and understand all safety instructions before assembly and use. Failure to follow these instructions may result in injury or damage to the product.

- **Weight Capacity:** Do not exceed the maximum weight capacity of 300 lbs (136 kg).
- **Stable Placement:** Ensure the trapeze bar is placed on a flat, stable surface. The base should be fully extended and positioned securely under the bed.
- **Regular Inspection:** Periodically check all bolts, screws, and connections to ensure they are tight and secure. Do not use the product if any parts are loose, damaged, or missing.
- **Proper Use:** Use the trapeze bar only for its intended purpose of assisting with mobility and transfers. Avoid swinging or applying excessive lateral force.
- **Adult Supervision:** Individuals requiring assistance should be supervised during initial use to ensure safe operation.

3. COMPONENTS LIST

Before assembly, verify that all components are present and undamaged. Refer to the assembly hardware set for specific fasteners.

- U-shaped Base Frame
- Base Extension Pipes
- Base Connecting Pipe
- Standpipe Assembly
- Upper Pipe Assembly
- Adjustable Handle with Strap
- Wheels (2)
- Rubber Pads
- Assembly Hardware Set (bolts, nuts, washers, tools if included)

4. SETUP AND ASSEMBLY

The VEVOR Trapeze Bar is designed for tool-free, quick installation. Follow these steps for proper assembly:

1. **Step 1: Assemble the Base.** Fix the wheels, base extension pipes, and base connecting pipe onto the U-shaped base. Ensure all connections are secure.
2. **Step 2: Install the Standpipe.** Install the standpipe assembly onto the U-shaped base. Align the holes and secure with the provided hardware.
3. **Step 3: Attach Rubber Pads.** Stick the rubber pads on both sides of the base extension tube and the U-shaped base. These provide stability and protect your floor.
4. **Step 4: Connect Upper Pipe and Handle.** Connect the upper pipe to the standpipe, then install the adjustable handle with its strap onto the upper pipe. Ensure the handle is securely attached and the strap can be adjusted.

Adjustable Handle Suits Different Heights



Comfortable Grip
Anti-slip and more stable

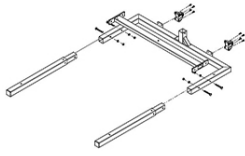
Adjustable Handle Position
Horizontally adjustable for perfect fit

Image 2: Visual guide for the four-step installation process of the trapeze bar, showing the assembly of the base, standpipe, and handle.

Quick Installation

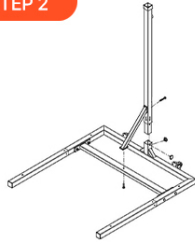
With 5 Ground Anchor Screws Firmly secured to floor for enhanced stability

STEP 1



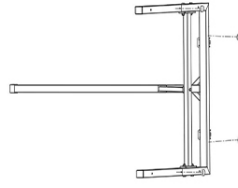
Fix the wheels/base extension pipe/base connecting pipe onto the U-shaped base

STEP 2



Install the standpipe assembly onto the U-shaped base

STEP 3



Stick rubber pads on both sides of the base extension tube and the U-shaped base

STEP 4



Connect the upper pipe to the standpipe, then install the handle



For more detailed installation guide, you can refer to the user manual

Image 3: Detailed diagram illustrating the quick installation steps, emphasizing the tool-free assembly.

5. OPERATING INSTRUCTIONS

The VEVOR Trapeze Bar is designed for ease of use, providing reliable support for various mobility needs.

5.1. Adjusting Height and Position

- **Overall Height Adjustment:** The main vertical pole of the trapeze bar can be adjusted in height to suit different bed heights and user preferences. Loosen the adjustment knob, slide the pole to the desired height, and tighten the knob securely.
- **Handle Height Adjustment:** The strap holding the handle can be adjusted in length, allowing the user to set the handle at a comfortable height for gripping.
- **Horizontal Handle Adjustment:** The strap can also be horizontally adjusted along the upper support arm, providing multiple position settings for greater flexibility and convenience.

Great Helper for Safer Transfer

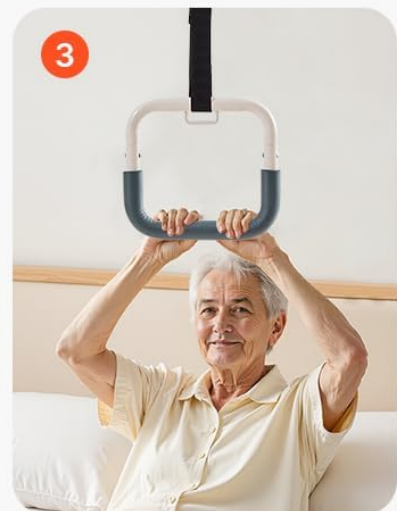


Image 4: Close-up view of the adjustable handle, highlighting its comfortable grip and horizontal adjustment capability.

5.2. Using for Mobility and Transfers

To use the trapeze bar, grasp the comfortable, non-slip handle firmly with both hands. Use your upper body strength to pull yourself up, assisting with:

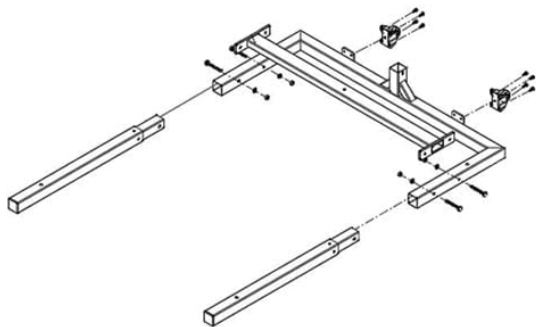
- Getting into and out of bed safely and independently.
- Transferring from the bed to a wheelchair or other mobility aid.

- Repositioning yourself in bed for comfort or care.
- Performing light upper body exercises to promote recovery and strength.

Installation Instructions

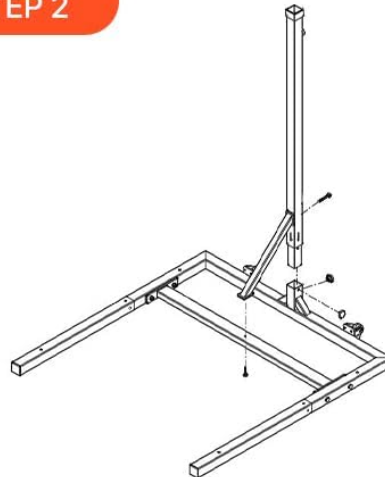
Tools Free, Quick Installation

STEP 1



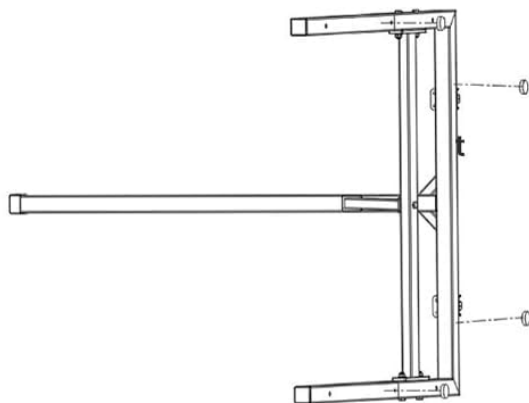
Fix the wheels/base extension pipe/
base connecting pipe onto the U-shaped base

STEP 2



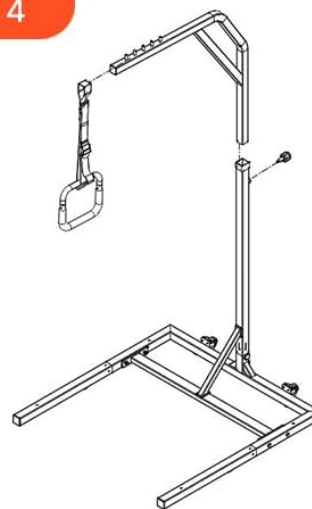
Install the standpipe
assembly onto the U-shaped base

STEP 3



Stick rubber pads on both sides of
the base extension tube and the U-shaped base

STEP 4



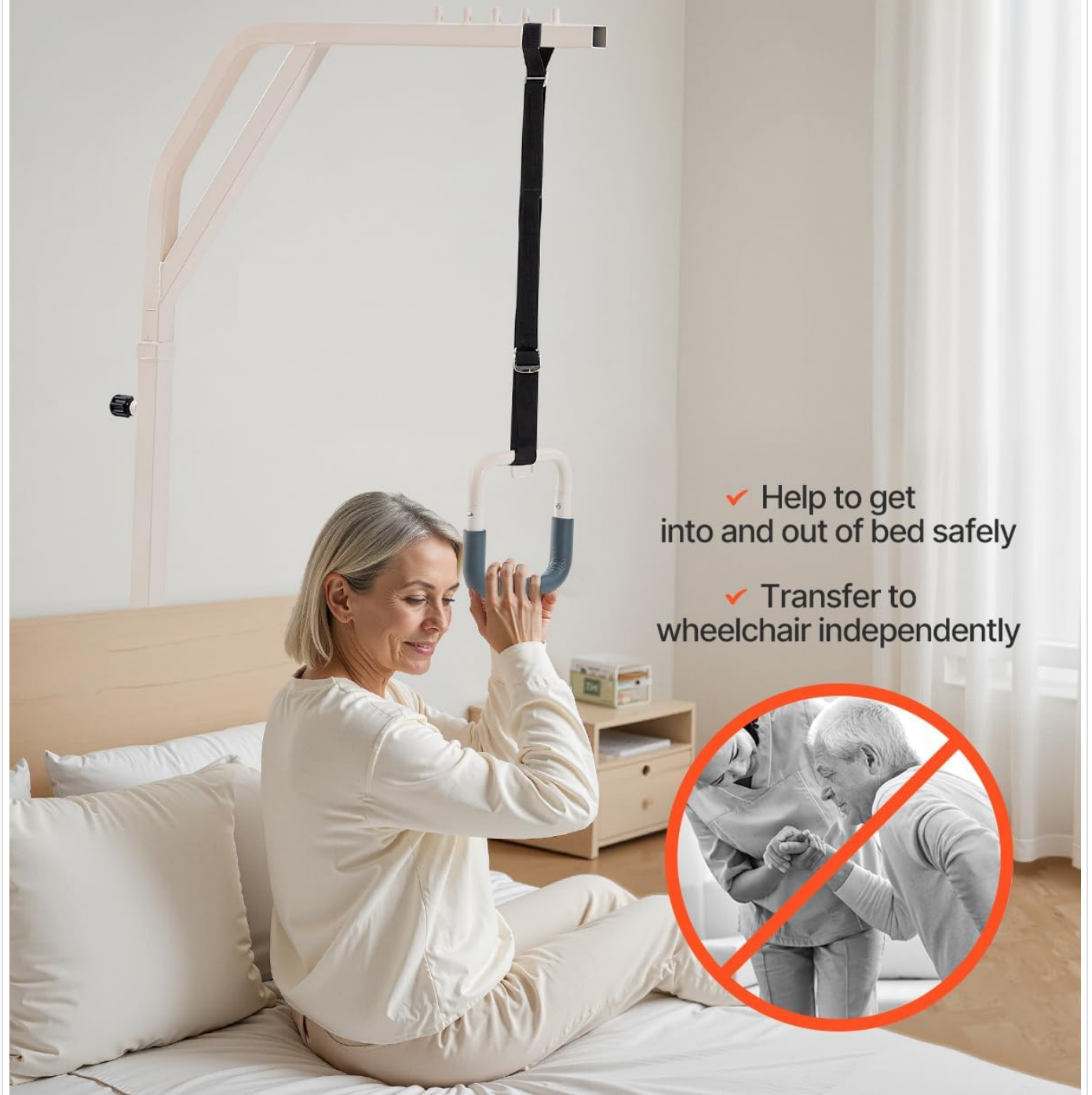
Connect the upper pipe to
the standpipe, then install the handle



For more detailed installation guide, you can refer to the user manual

Image 5: Illustration of the trapeze bar's benefits, including assisting with independent movement, safe transfers, and upper body exercise.

Reliable Trapeze Bar for Bed Mobility



✓ Help to get
into and out of bed safely

✓ Transfer to
wheelchair independently



Image 6: A user demonstrating the use of the trapeze bar to safely get in and out of bed.

6. MAINTENANCE AND CARE

Proper maintenance ensures the longevity and safe operation of your VEVOR Trapeze Bar.

- **Cleaning:** Wipe the trapeze bar with a damp cloth to clean. Use mild soap if necessary, then wipe dry. Avoid abrasive cleaners or solvents that could damage the powder coating.

- **Regular Checks:** Periodically inspect all structural components, connections, and the handle strap for any signs of wear, damage, or looseness. Tighten any loose bolts or screws immediately.
- **Storage:** If storing the trapeze bar for an extended period, ensure it is clean and dry. Store in a cool, dry place away from direct sunlight and extreme temperatures.

7. TROUBLESHOOTING

If you encounter any issues with your VEVOR Trapeze Bar, refer to the following common problems and solutions:

Problem	Possible Cause	Solution
Trapeze bar wobbles or feels unstable.	Loose connections; uneven floor; base not fully extended.	Ensure all bolts and screws are tightened. Place on a flat, level surface. Verify the base is fully extended and positioned correctly under the bed.
Difficulty adjusting height or handle position.	Adjustment knob/mechanism is too tight or obstructed.	Loosen the adjustment knob sufficiently. Check for any debris or obstructions in the adjustment mechanism.
Squeaking noises during use.	Friction between metal parts.	Apply a small amount of silicone lubricant to the joints or moving parts causing the noise.

If the problem persists or you encounter an issue not listed here, please contact VEVOR customer support.

8. SPECIFICATIONS

Key technical specifications for the VEVOR Trapeze Bar for Bed Mobility:

Item Model Number: FBL900976

Material: Q195 Steel With Powder Coating

Weight Capacity: 300 lbs (136 kg)

Product Weight: Approximately 42.6 lbs (19.3 kg)

Product Dimensions (L x W x H): Approximately 39.0" x 35.4" x 68.1" (990 x 900 x 1730 mm) at maximum height

Assembly Required: Yes

Batteries Required: No

Included Components: 1 x Set of Assembly Hardware

Color: White



Item Model Number: **FBL900976**

Material: **Q195 Steel with Powder Coating**

Weight Capacity: **300 lbs**

Product Weight: **42.55 lbs / 19.3 kg**

Product Dimensions: **39.0 × 35.4 × 68.1 inch / 990 × 900 × 1730 mm**

Image 7: Diagram showing the key dimensions and specifications of the trapeze bar, including its height, width, and depth.

9. WARRANTY INFORMATION

Specific warranty details for the VEVOR Trapeze Bar for Bed Mobility are typically provided with your purchase documentation or can be found on the official VEVOR website. Please retain your proof of purchase for any warranty claims. The warranty generally covers manufacturing defects and material flaws under normal use conditions.

10. CUSTOMER SUPPORT

For further assistance, technical support, or inquiries regarding your VEVOR Trapeze Bar, please contact VEVOR customer service through their official website or the retailer from whom you purchased the product. Have your model number (FBL900976) and purchase details ready when contacting support.

You can visit the VEVOR Store for more information: [VEVOR Official Store](#)