



[Manuals.plus](#) /

> [XUWANSHANG](#) /

> XUWANSHANG Full Size Loft Bed User Manual

## XUWANSHANG TMP-S00058

# XUWANSHANG Full Size Loft Bed User Manual

Model: TMP-S00058  
Brand: XUWANSHANG

## PRODUCT OVERVIEW

---

The XUWANSHANG Full Size Loft Bed is designed to maximize space efficiency, offering a comprehensive solution for sleeping, studying, and storage. This heavy-duty metal loft bed integrates a desk, wardrobe, and storage stairs, making it ideal for various living spaces.



Figure 1: Front view of the XUWANSHANG Full Size Loft Bed in white, showcasing the integrated desk and storage stairs.

# UNIT:INCH

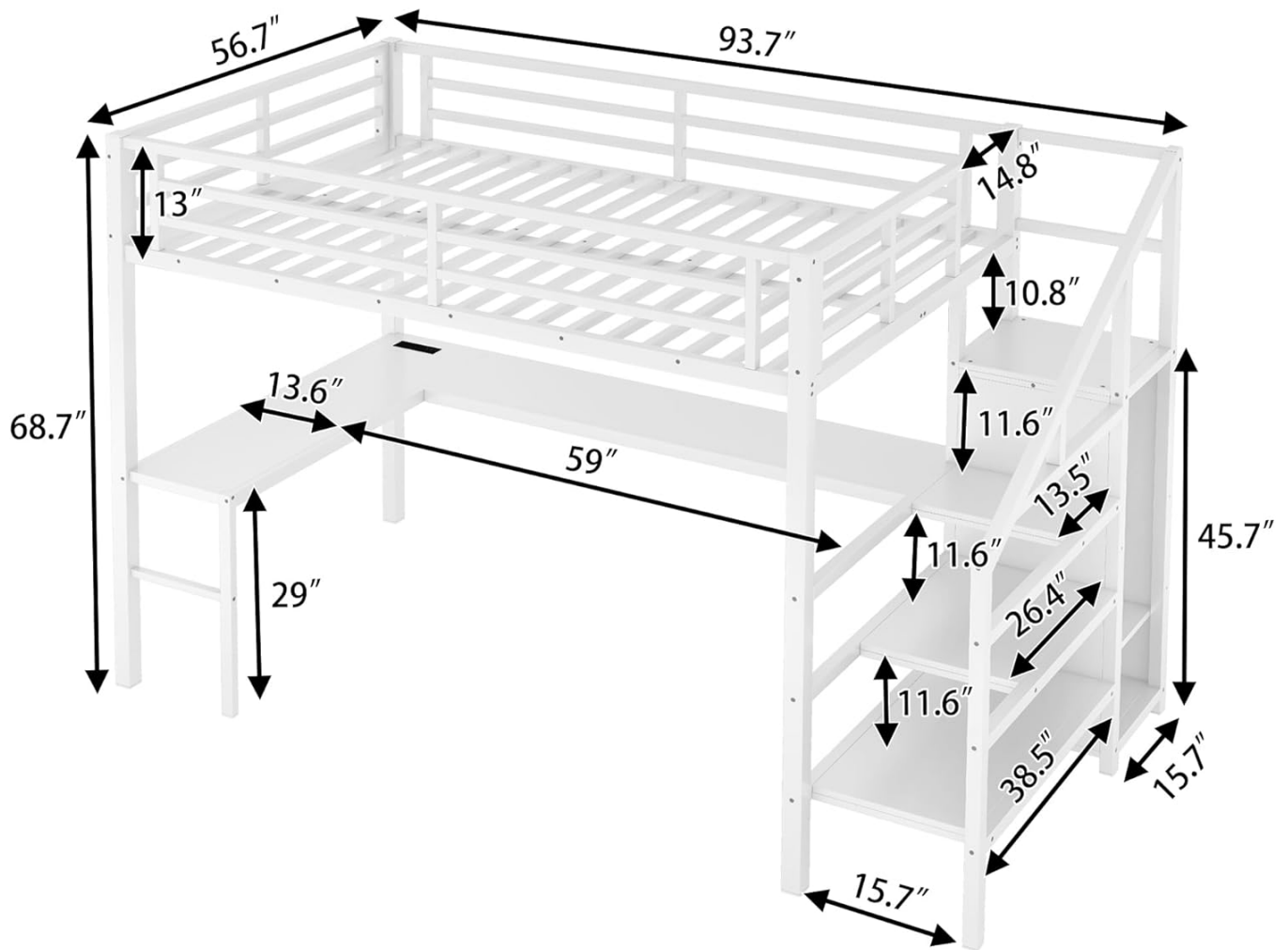


Figure 2: Detailed dimensions of the loft bed, including bed frame, desk, and storage unit measurements in inches.

## Key Features:

- **Integrated Desk and Wardrobe:** Maximizes under-bed space for studying, working, or leisure. The small closet provides convenient storage for clothes.
- **LED Lighting with USB Charging:** Features an adjustable LED light strip with 16 color options, controllable via remote. Includes a USB charging station with USB ports and outlets for electronic devices.
- **Storage Stairs:** The staircase is designed with built-in storage compartments, offering additional space for daily necessities. The staircase can be configured on either the left or right side during assembly.
- **Heavy-Duty Metal Construction:** Built with durable metal, supporting up to 350 LBS. Equipped with a 13.6-inch full-length guardrail and 10 secured metal slats for enhanced safety and stability.

## L Shape Desk for Study or Work

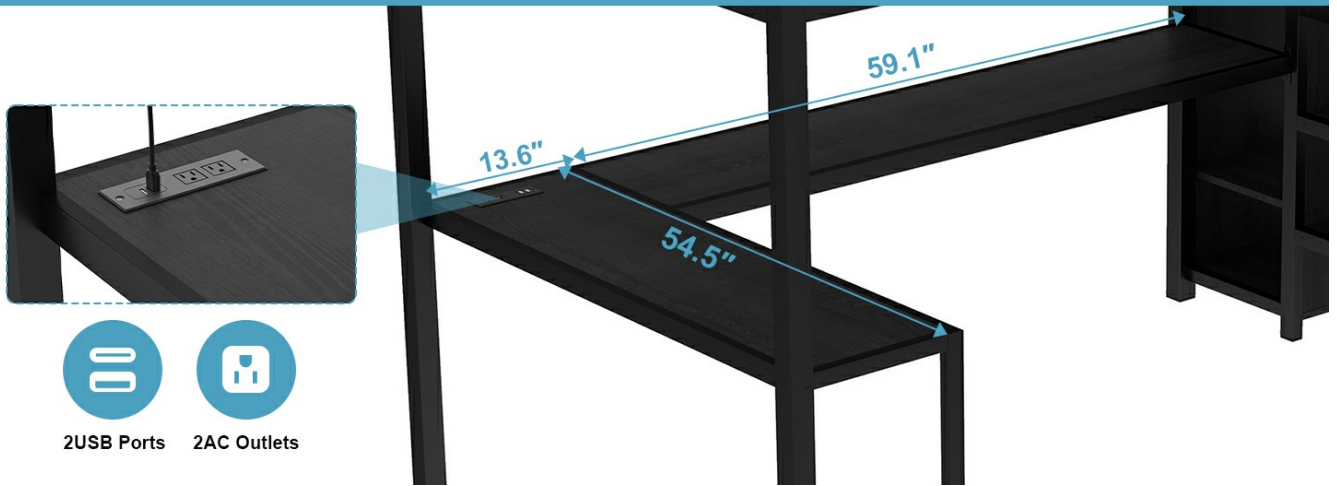


Figure 3: Close-up of the L-shaped desk area, highlighting the integrated USB charging ports and AC outlets for convenient device power.



Figure 4: Illustration of the built-in wardrobe with a hanging rod and the storage compartments within the staircase, demonstrating space-saving features.



Stairs on the Left



Stairs on the Right

Figure 5: Depiction of the loft bed's flexible design, allowing the storage stairs to be assembled on either the left or right side to suit room layout.

# Safety Guardrail

13" Guardrail to Protect Your Safety



Figure 6: Close-up view of the 13-inch safety guardrail, emphasizing the protective barrier around the top bunk for user security.

## SETUP AND ASSEMBLY

---

The XUWANSHANG Full Size Loft Bed is designed for straightforward assembly. All necessary hardware and tools are included in the packaging. An illustrated installation manual is provided to guide you through each step.

### Important Notes Before Assembly:

- **Package Delivery:** The product is typically divided into two boxes, which may arrive at different times. Please ensure you have received both packages before beginning assembly.
- **Review Instructions:** Carefully read and understand all steps in the provided illustrated manual before starting. Some steps may require careful attention to detail to avoid re-assembly.
- **Team Assembly Recommended:** While possible to assemble alone, having a second person can significantly ease the process and improve efficiency, especially for larger components.
- **Check Components:** Before assembly, verify all parts against the parts list in the manual. If any parts are damaged or missing, please contact customer support immediately.
- **Clear Workspace:** Ensure you have a spacious and clear area for assembly to prevent damage to parts and for ease of movement.

Follow the step-by-step instructions in the included manual for a smooth and hassle-free assembly process. Ensure all connections are tightened securely for optimal stability.

## OPERATING INSTRUCTIONS

---

### Using the LED Lights and USB Charging Station:

- **LED Lights:** The adjustable LED light strip is located under the bed. Use the provided remote control to select from 16 color options and adjust brightness. Ensure the remote's battery is installed (battery not included).
- **USB Charging Station:** The integrated USB ports and AC outlets are designed for convenient charging of your electronic devices. Simply plug your device's USB cable or power adapter into the respective port/outlet. Ensure the bed's power cord is connected to a wall outlet.

### Utilizing Storage Features:

- **Desk Area:** The spacious L-shaped desk provides ample surface for studying, working, or creative activities.

- **Wardrobe:** The small built-in wardrobe at the base of the staircase includes a clothes rack for hanging frequently worn garments.
- **Staircase Storage:** Each step of the staircase features a storage compartment. Lift the step covers to access these compartments for storing books, toys, or other personal items.

## MAINTENANCE

Regular maintenance will help prolong the life and ensure the safety of your XUWANSHANG Loft Bed.

- **Cleaning:** Wipe metal surfaces with a soft, damp cloth. Avoid abrasive cleaners or harsh chemicals that could damage the finish.
- **Tighten Connections:** Periodically check all bolts, screws, and connections to ensure they remain tight. Loose connections can lead to instability and noise. Tighten as needed.
- **LED Strip Adhesion:** If the LED light strip adhesive weakens over time, consider using a stronger adhesive or clips to secure it in place.
- **Mattress Support:** For optimal comfort and mattress longevity, consider adding a bunkie board or a sturdy base board on top of the metal slats. This can also reduce potential noise from the mattress settling directly on the slats.

## TROUBLESHOOTING

This section addresses common issues you might encounter with your loft bed.

Problem	Possible Cause	Solution
Bed feels wobbly or shakes.	Loose connections; uneven floor; lack of additional stabilizers.	Ensure all bolts and screws are tightened securely. If the floor is uneven, use shims under the bed legs. Consider purchasing bed frame stabilizers for added rigidity.
Assembly is difficult or instructions are unclear.	Complex design; misinterpretation of diagrams.	Review the illustrated manual carefully, paying close attention to diagrams. Take breaks if frustrated. Consider seeking assistance from another person.
Parts are damaged or missing upon arrival.	Shipping damage; packaging error.	Do not proceed with assembly. Contact XUWANSHANG customer support immediately with details and photos of the damaged/missing parts.
LED light strip does not stick or falls off.	Weak adhesive.	Clean the surface thoroughly before applying. If the adhesive is insufficient, use a stronger double-sided tape or small adhesive clips to secure the strip.
Mattress feels uncomfortable or slats are noticeable.	Insufficient mattress support.	Consider adding a bunkie board or a thin plywood sheet on top of the metal slats to provide a more solid and even surface for your mattress.

## SPECIFICATIONS

Feature	Detail
Size	Full

Feature	Detail
Product Dimensions (L x W x H)	93.5"L x 57.5"W x 69.1"H
Special Features	Charging Station, LED Lighting
Color	White
Finish Type	Metal
Included Components	Guardrails, Integrated Desk, Wardrobe, Storage Stairs, LED Lights, USB Charging Station
Brand	XUWANSHANG
Assembly Required	Yes
Item Weight	173.1 pounds
Model Number	TMP-S00058
Maximum Weight Capacity	350 LBS

## WARRANTY AND SUPPORT

---

For information regarding product warranty, please refer to the documentation included with your purchase or contact XUWANSHANG customer service directly. Warranty terms and conditions may vary.

If you require technical assistance, have questions about assembly, or need to report damaged/missing parts, please contact XUWANSHANG customer support. Please have your model number (TMP-S00058) and purchase details ready when contacting support.

*Note: No official product videos were provided in the available data.*