

[Manuals.plus](#) /

> [Teenpull](#) /

> Teenpull 3-Seater Sofa Instruction Manual

Teenpull 3-Seater

Teenpull 3-Seater Sofa Instruction Manual

Model: 3-Seater Sofa (ASIN: B0F6LLFJNB)

INTRODUCTION

Thank you for choosing the Teenpull 3-Seater Sofa. This manual provides detailed instructions for the safe assembly, proper use, and effective maintenance of your new furniture. Please read this manual thoroughly before assembly and retain it for future reference.



Image: Front view of the Teenpull 3-Seater Sofa, showcasing its brown faux leather upholstery and design.

SAFETY INFORMATION

- Ensure all parts are present and undamaged before assembly. Do not use if any parts are missing or broken.
- Assemble the sofa on a soft, clean surface to prevent scratches.
- Do not overtighten screws during assembly, as this may damage the material.
- Keep small parts away from children during assembly to prevent choking hazards.

- Do not stand on the sofa or use it as a step stool.
- Maximum loading capacity per seat is 242.5 lb. Do not exceed this limit.
- Periodically check and retighten all fasteners to ensure stability.

PACKAGE CONTENTS

Before beginning assembly, verify that all components listed below are present in your package.

- Sofa Backrest
- Sofa Seat Base
- Armrests (Left and Right)
- Sofa Legs
- Hardware Pack (Screws, Washers, Allen Wrench)

SETUP AND ASSEMBLY

Assembly is required for this sofa. Please follow these steps carefully.

1. **Step 1: Unpack Components**

Carefully remove all parts from the packaging. Lay them out on a clean, soft surface to prevent damage.

2. **Step 2: Attach Legs**

Locate the pre-drilled holes on the underside of the sofa seat base. Attach the sofa legs using the provided screws and Allen wrench. Ensure all legs are securely fastened.

3. **Step 3: Connect Armrests**

Align the armrests with the sides of the sofa seat base. Secure them using the appropriate hardware from the pack. Make sure the armrests are firmly attached and stable.



Image: Detail of the sofa armrest, showing the decorative studding and faux leather finish, indicating where armrests connect.

4. Step 4: Attach Backrest

Slide the backrest into the designated slots on the sofa base and armrests. Push down firmly until it locks into place. If additional fasteners are provided for the backrest, secure them now.

5. Step 5: Final Check

Once assembled, gently lift and move the sofa to its desired location. Before use, ensure all connections are tight and the sofa is stable.

OPERATING INSTRUCTIONS

The Teenpull 3-Seater Sofa is designed for comfortable seating in your living space. No complex operation is required.

- Place the sofa on a level surface to ensure stability.

- Use the sofa for sitting, lounging, and relaxation.
- Avoid placing heavy or sharp objects on the sofa that could damage the upholstery or frame.



Image: The Teenpull 3-Seater Sofa positioned in a living room, demonstrating its intended use and aesthetic.

MAINTENANCE AND CARE

Proper care will extend the life and appearance of your Teenpull sofa.

- **Cleaning Faux Suede Leather:** Faux suede leather (100% polyester) is resistant to stains and easy to clean.
 - For general cleaning, wipe with a soft, damp cloth.
 - For spills, blot immediately with a clean, dry cloth. Avoid rubbing, which can spread the stain.
 - For tougher stains, use a mild soap solution and a soft cloth, then wipe with a clean, damp cloth and dry thoroughly. Test in an inconspicuous area first.
 - Do not use harsh chemicals, abrasive cleaners, or solvents, as these can damage the material.

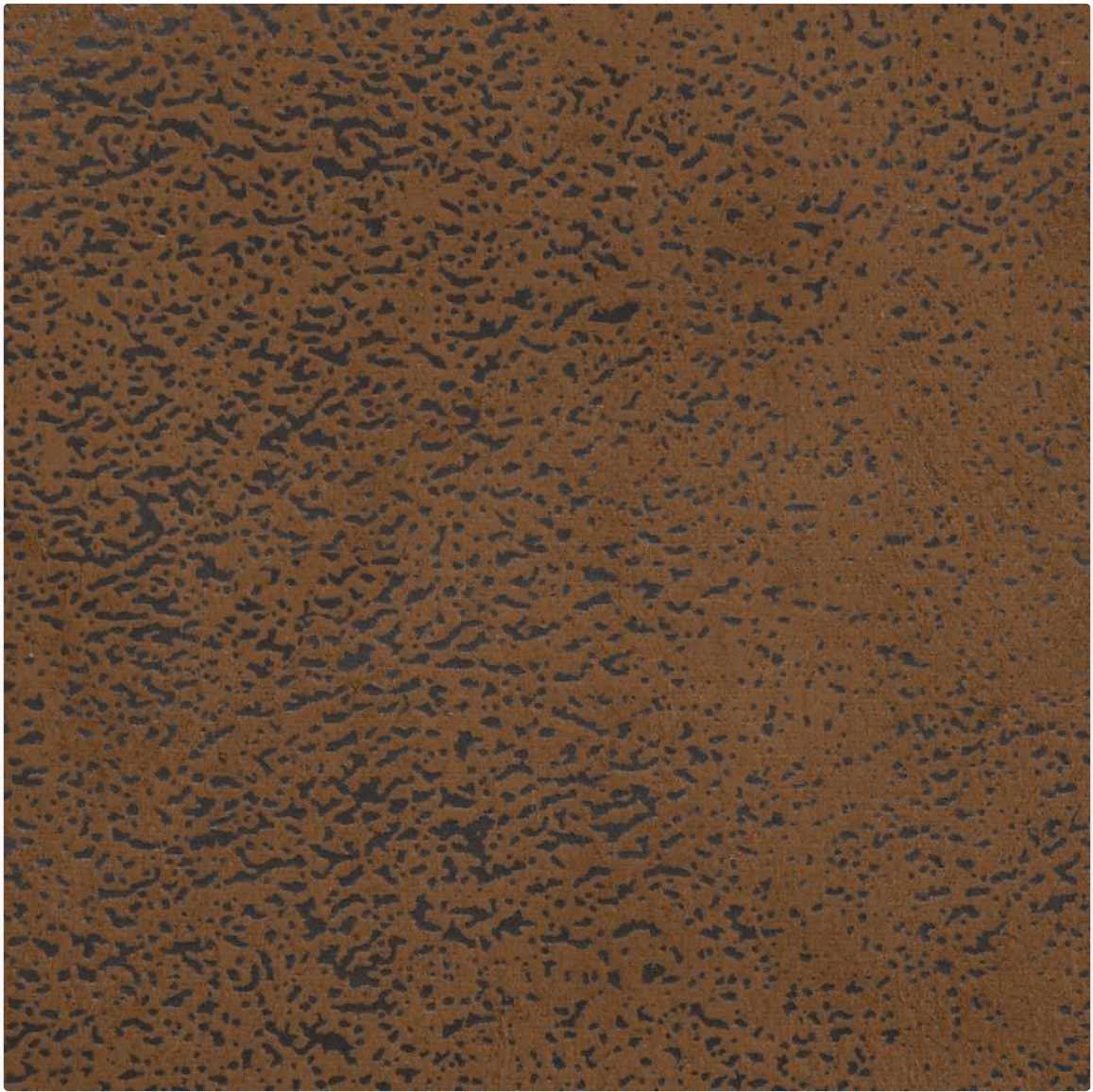


Image: A close-up view of the faux suede leather fabric, highlighting its texture and finish for cleaning reference.

- **Frame Care:** Periodically check all screws and bolts to ensure they are tight. Retighten as necessary to maintain stability.
- **Sunlight Exposure:** Avoid prolonged exposure to direct sunlight to prevent fading of the upholstery.
- **Heat Sources:** Keep the sofa away from direct heat sources like radiators or fireplaces.

TROUBLESHOOTING

Problem	Possible Cause	Solution
Sofa feels wobbly or unstable.	Loose fasteners or uneven floor.	Check and tighten all screws and bolts. Ensure the sofa is on a level surface.
Squeaking noises during use.	Loose connections in the frame.	Inspect all joints and tighten any loose hardware.
Upholstery appears stained.	Spill or dirt accumulation.	Refer to the "Maintenance and Care" section for cleaning instructions specific to faux suede leather.

SPECIFICATIONS

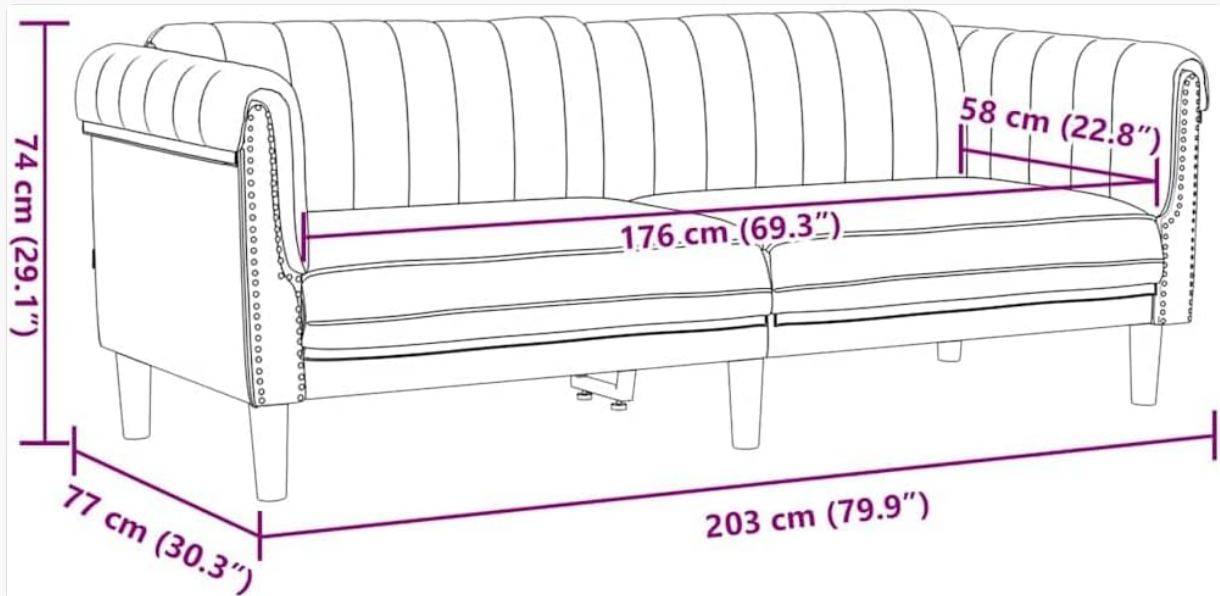


Image: Technical diagram showing the overall dimensions of the Teenpull 3-Seater Sofa, including width, depth, and height.

Feature	Detail
Model	3-Seater Sofa (ASIN: B0F6LLFJNB)
Brand	Teenpull
Color	Brown
Material	Faux suede leather (100% polyester), plywood, solid wood
Filling Material	Foam
Overall Dimensions (W x D x H)	79.9" x 30.3" x 29.1" (203 cm x 77 cm x 74 cm)
Seat Width	69.3" (176 cm)
Seat Depth	22.8" (58 cm)
Seat Height from Ground	16.9" (43 cm)
Armrest Height from Ground	27.8" (70.5 cm)
Max. Loading Capacity (per seat)	242.5 lb (110 kg)
Assembly Required	Yes

WARRANTY INFORMATION

Teenpull products are manufactured with quality and care. For specific warranty details, please refer to the warranty card included with your purchase or contact Teenpull customer support. Keep your proof of purchase for any warranty claims.

CUSTOMER SUPPORT

If you have any questions, require assistance with assembly, or need to report missing/damaged parts,

please contact Teenpull customer support:

- **Website:** [Visit Teenpull on Amazon](#)
- **Email:** [Insert Customer Support Email Here, if available]
- **Phone:** [Insert Customer Support Phone Number Here, if available]

Please have your model number (B0F6LLFJNB) and purchase date ready when contacting support.