

[Manuals.plus](#) /

› [HONMEET](#) /

› HONMEET Retro Bicycle Bell User Manual - Model OO28QST0U50020U9ZO

HONMEET OO28QST0U50020U9ZO

HONMEET Retro Bicycle Bell User Manual

Model: OO28QST0U50020U9ZO

1. PRODUCT OVERVIEW

The HONMEET Retro Bicycle Bell is a classic cycling accessory designed to enhance safety and add a vintage aesthetic to your bicycle, scooter, or motorcycle. Crafted from durable aluminum, this bell produces a crisp, clear sound to alert pedestrians and other cyclists, ensuring a safer riding experience. Its user-friendly design allows for straightforward installation on most handlebars.



Image 1.1: Front view of the HONMEET Retro Bicycle Bell, showcasing its polished silver finish and classic design.

Key Features:

- **Durable Construction:** Made from long-lasting aluminum for reliable performance.
- **Clear Sound:** Emits a crisp and audible sound for effective alerts.
- **Vintage Design:** Adds an elegant, retro touch to your vehicle.
- **Easy Installation:** Designed for quick and tool-free mounting on handlebars.
- **Versatile Use:** Suitable for bicycles, scooters, and motorcycles.

2. PACKAGE CONTENTS

Please verify that all items are present and in good condition upon opening the package.

- 1 x HONMEET Retro Bicycle Bell

3. SPECIFICATIONS

Attribute	Detail
Brand	HONMEET
Model Name	Bike Bells (Part No. OO28QST0U50020U9ZO)

Attribute	Detail
Material	Aluminum
Color	Silver
Dimensions (L x W x H)	9.00 x 8.70 x 4.50 cm (3.54 x 3.43 x 1.77 inches)
Item Weight	6.08 ounces
Recommended Handlebar Diameter	22.2 mm

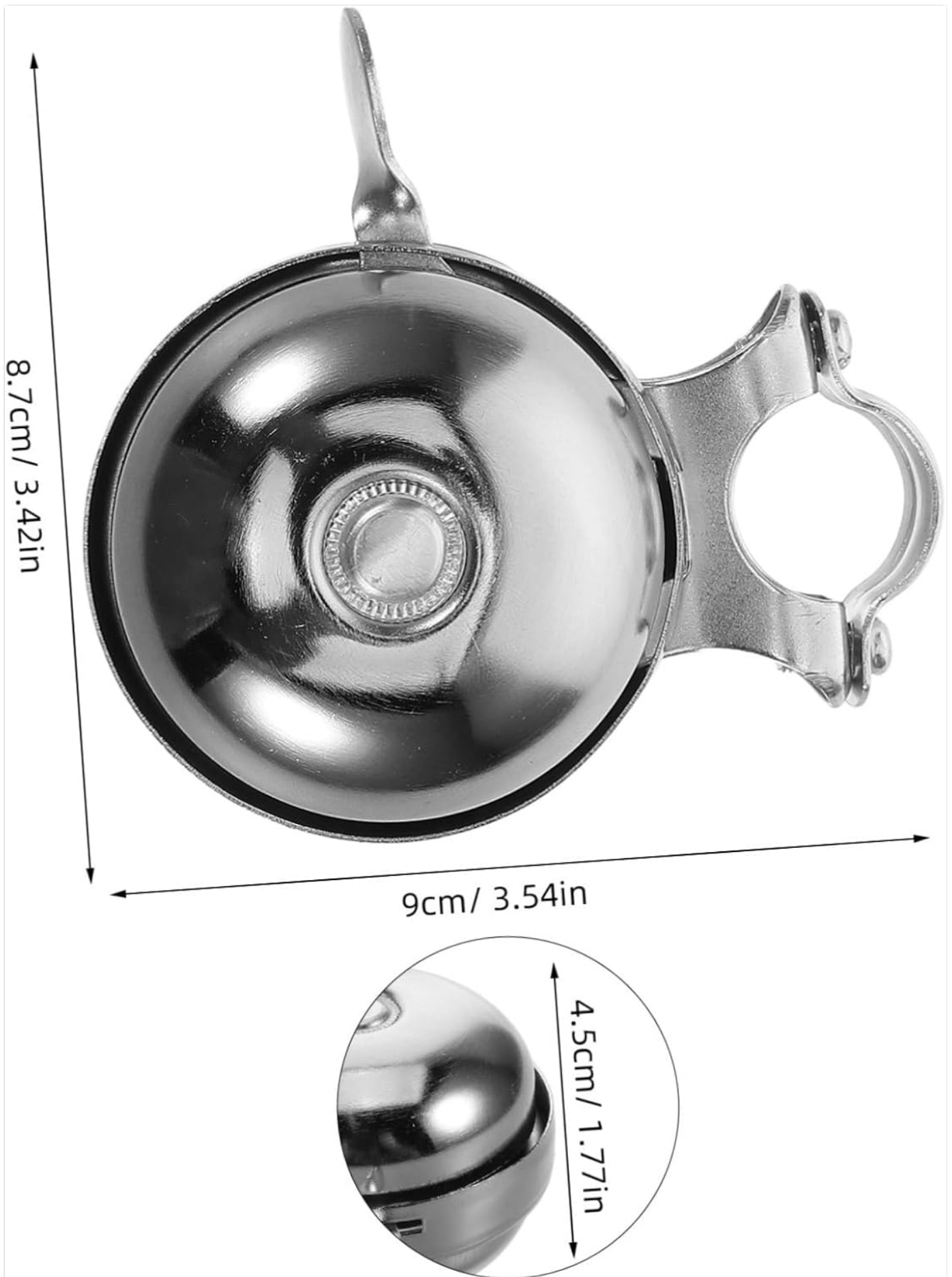


Image 3.1: Visual representation of the bell's dimensions, including length, width, and height measurements.

4. INSTALLATION GUIDE

The HONMEET Retro Bicycle Bell is designed for quick and easy installation without the need for specialized tools. Follow these steps to securely attach the bell to your handlebar.

1. **Identify Mounting Location:** Choose a suitable spot on your handlebar that is easily accessible and does not obstruct other controls. The recommended handlebar diameter is 22.2 mm.
2. **Loosen Mounting Screw:** Use a screwdriver (not included) to slightly loosen the screw on the bell's mounting clamp. Do not remove the screw completely.
3. **Position the Bell:** Open the clamp and place it around the chosen section of your handlebar. Ensure the bell's lever is in a comfortable position for your thumb or finger to operate.
4. **Tighten the Screw:** Once positioned correctly, tighten the mounting screw firmly until the bell is secure and does not rotate freely on the handlebar. Avoid over-tightening.
5. **Test Functionality:** Operate the bell lever to ensure it produces a clear sound and is within easy reach.



Image 4.1: Detailed view of the bell's mounting clamp and the screw used for attachment, along with the ringing lever.



Image 4.2: The HONMEET bell securely mounted on a bicycle handlebar, demonstrating its compact fit and accessibility.

5. OPERATION

Operating the HONMEET Retro Bicycle Bell is simple and intuitive.

- To produce a sound, gently push the lever located on the side of the bell downwards with your thumb or finger.
- Release the lever to allow it to spring back, creating the distinct ringing sound.
- Use the bell to alert pedestrians, other cyclists, or vehicles of your presence, especially in crowded areas or when approaching blind spots.



Image 5.1: A hand demonstrating the simple action of pressing the lever to activate the bell's ringing mechanism.

6. MAINTENANCE AND CARE

To ensure the longevity and optimal performance of your HONMEET Retro Bicycle Bell, follow these simple maintenance guidelines:

- **Cleaning:** Wipe the bell regularly with a soft, damp cloth to remove dust and dirt. Avoid abrasive cleaners or solvents that could damage the aluminum finish.
- **Inspection:** Periodically check the mounting screw for tightness. If the bell feels loose, re-tighten the screw.
- **Lubrication:** If the ringing mechanism becomes stiff over time, a small drop of light lubricant (e.g., bicycle chain lubricant) can be applied to the pivot point of the lever.
- **Storage:** If storing your bicycle for an extended period, ensure the bell is clean and dry.

7. TROUBLESHOOTING

If you encounter any issues with your HONMEET Retro Bicycle Bell, refer to the following common solutions:

- **Bell is loose on handlebar:**

- Check the mounting screw. Tighten it securely with a screwdriver.

- **Bell sound is muffled or weak:**

- Ensure no debris is obstructing the internal mechanism.
- Check if the bell's dome is dented or damaged.
- Apply a small amount of lubricant to the lever's pivot point if it feels stiff.

- **Lever is stuck or difficult to press:**

- Clean any dirt or grime from around the lever mechanism.
- Apply a light lubricant to the pivot point.

8. WARRANTY AND SUPPORT

Warranty Information: This product is sold without an explicit warranty. Please refer to the retailer's return policy for any issues upon receipt.

For further assistance or inquiries, please contact the seller, ATriss, through the Amazon platform or visit the [HONMEET Brand Store](#) on Amazon.

© 2025 HONMEET. All rights reserved.

This manual is for informational purposes only. Product specifications are subject to change without notice.