

[Manuals.plus](#) /

› [VEVOR](#) /

› VEVOR Electric Pole Hedge Trimmer User Manual

## VEVOR M0E-19ET-510

# VEVOR Electric Pole Hedge Trimmer User Manual

Model: M0E-19ET-510 | Brand: VEVOR

## 1. INTRODUCTION

Thank you for choosing the VEVOR Electric Pole Hedge Trimmer. This manual provides essential information for the safe and efficient operation, maintenance, and troubleshooting of your new tool. Please read this manual thoroughly before first use and keep it for future reference.

### Product Overview

The VEVOR Electric Pole Hedge Trimmer is designed for efficient trimming of hedges and branches, especially those at height. Key features include:

- **Powerful Performance:** Equipped with a 20-inch blade and a 1200rpm motor, capable of cutting branches up to 0.63 inches in diameter.
- **Adjustable Reach:** Telescoping pole extends from 6.2 ft (1.9m) to 7.8 ft (2.4m) for high branch trimming without a ladder.
- **Multi-Angle Adjustment:** The trimmer head can be adjusted to five positions (30° to 150°) for versatile cutting angles.
- **Cordless Operation:** Powered by a 20V high-capacity battery for freedom of movement and use in various locations.
- **Safety Features:** Includes a sliding blade guard for storage and a dual-switch design to prevent accidental activation.



Figure 1.1: VEVOR Electric Pole Hedge Trimmer and included accessories.

## 2. SAFETY INFORMATION

Always observe basic safety precautions when using electrical tools to reduce the risk of fire, electric shock, and personal injury.

### General Safety Rules

- **Read the Manual:** Familiarize yourself with all instructions and warnings before operating the tool.
- **Personal Protective Equipment (PPE):** Always wear safety glasses or goggles, hearing protection, heavy-duty gloves, and sturdy footwear. A hard hat and face shield are recommended for overhead work.
- **Work Area:** Keep the work area clean and well-lit. Do not operate the trimmer in wet conditions or in the presence of flammable liquids or gases. Keep bystanders, children, and pets away.

- **Inspect Tool:** Before each use, inspect the trimmer for any damage, loose parts, or worn blades. Do not use if damaged.
- **Secure Grip:** Always maintain a firm grip on the tool with both hands during operation.
- **Avoid Contact:** Keep hands, feet, and clothing away from the cutting blade. Never attempt to remove cut material while the blade is moving.
- **Battery Safety:** Use only the specified battery and charger. Do not expose batteries to extreme temperatures or water.
- **Maintenance:** Disconnect the battery before performing any maintenance, cleaning, or when changing accessories.
- **Proper Stance:** Maintain proper footing and balance at all times. Do not overreach.

### 3. COMPONENTS AND PARTS

---

Your VEVOR Electric Pole Hedge Trimmer comes with the following main components:

- Hedge Trimmer Head with Blade
- Extendable Pole
- Handle Assembly with Dual Switch
- 20V Battery Pack
- Battery Charger
- Blade Guard
- Shoulder Strap



Battery Pack x 1



Charger x 1



Blade Guard x 1



Strap x 1

Item Model Number: **ET1611-510**

Battery Pack Rated Capacity: **2Ah**

Operating Voltage: **20VDC**

Product Weight: **3.64kg / 8.02lb**

Extendable Length: **78.4-97.6inches/1990-2480mm**

Blade Length: **20inches / 510mm (Inner edge)**  
**21.3inches / 540mm (Outer edge)**

Figure 3.1: Main components and general dimensions of the VEVOR Electric Pole Hedge Trimmer.

# Operating Voltage: 20V DC



Figure 3.2: Detail of the 20-inch blade with 0.63-inch cutting capacity.

## 4. SETUP AND ASSEMBLY

### 4.1. Charging the Battery

1. Connect the charger to a standard power outlet.
2. Insert the battery pack into the charger. Ensure it clicks into place.
3. Allow the battery to charge fully before first use. Refer to the charger's indicator lights for charging status.
4. Once charged, disconnect the charger from the power outlet and remove the battery.

## **4.2. Attaching the Battery**

- Align the battery pack with the battery slot on the trimmer's handle.
- Slide the battery into the slot until it locks securely into place. Ensure it is fully seated to prevent accidental disconnection during operation.

## **4.3. Assembling the Pole and Head**

- Connect the trimmer head section to the main pole section. Ensure the connection is firm and secure.
- To extend the pole, loosen the locking collar, pull the pole to the desired length (between 6.2 ft and 7.8 ft), and then tighten the locking collar firmly.

# Effortless Trimming, No Worries About Heights

1.9m - 2.4m Expandable Design



Before Extension: 6.53ft  
After Extension: 8.14ft

Figure 4.1: The extendable pole allows for trimming at various heights.

## 4.4. Attaching the Shoulder Strap

- Attach the shoulder strap to the designated attachment points on the trimmer pole.
- Adjust the strap length for comfortable and balanced operation, distributing the tool's weight evenly.

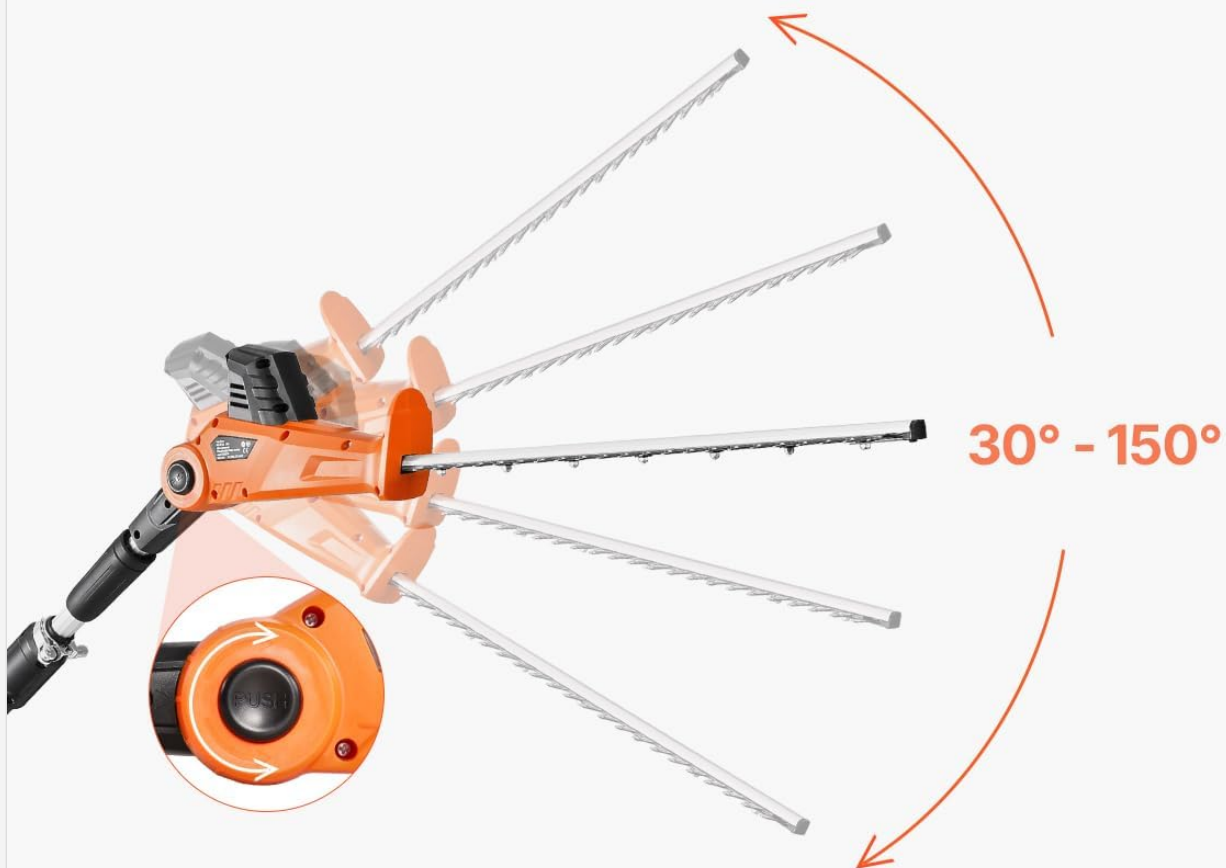
## 5. OPERATING INSTRUCTIONS

### 5.1. Adjusting the Trimmer Head Angle

- To adjust the cutting angle, locate the angle adjustment mechanism near the trimmer head.
- Press the release button or lever and pivot the trimmer head to one of the five available positions (30°, 60°, 90°, 120°, 150°).
- Ensure the head locks securely into the desired position before operation.

## Five Adjustable Settings Effortless Trimming

30° - 150° Adjustable Angles, 30° Increments



Lawn Trimming



High Tree Branches

Figure 5.1: The trimmer head can be adjusted to five different angles for versatile trimming.

### 5.2. Starting and Stopping the Trimmer

- The trimmer features a dual-switch safety mechanism to prevent accidental starts.
- To start, simultaneously press the safety lock-off button and squeeze the trigger switch.

- To stop, release the trigger switch. The blade will stop moving.



Figure 5.2: The dual-switch design ensures safe operation by preventing accidental activation.

### 5.3. Trimming Techniques

- **General Trimming:** Hold the trimmer firmly with both hands. Use a sweeping motion, moving the blade along the hedge or branch.
- **High Branches:** Extend the pole to the necessary length. Use the adjustable head to achieve the optimal cutting angle. Ensure you have a clear view of the cutting area and falling debris.
- **Low Hedges/Ground Cover:** Adjust the head to a suitable angle for ground-level trimming.
- **Overload Protection:** Do not force the trimmer through thick branches. If the blade jams, release the trigger immediately and clear the obstruction.

## 6. MAINTENANCE

Regular maintenance ensures the longevity and safe operation of your hedge trimmer.

### 6.1. Cleaning the Blade

- **Always remove the battery before cleaning.**
- After each use, clean the blade thoroughly to remove sap, leaves, and debris. Use a stiff brush or cloth.
- Apply a light coat of machine oil or blade lubricant to the blade to prevent rust and ensure smooth operation.

### 6.2. Blade Guard Storage

- Always place the blade guard over the blade when the trimmer is not in use or during transport. This protects the blade and prevents accidental injury.



Figure 6.1: Always use the blade guard to protect the blade and prevent scratches or injuries.

### 6.3. Battery Care

- Store the battery in a cool, dry place away from direct sunlight and extreme temperatures.
- Do not store the battery fully discharged for extended periods. Charge it periodically if not in use.

### 6.4. General Storage

- Store the trimmer in a secure, dry place, out of reach of children.
- Ensure the blade guard is in place before storing.

## 7. TROUBLESHOOTING

If you encounter issues with your hedge trimmer, refer to the following common problems and solutions:

Problem	Possible Cause	Solution
Trimmer does not start	Battery not charged or not properly inserted. Safety switch not engaged.	Ensure battery is fully charged and securely inserted. Press both safety lock-off button and trigger simultaneously.
Reduced cutting performance	Blade is dull or dirty. Overloading the motor.	Clean the blade and apply lubricant. Avoid cutting branches thicker than specified capacity. Consider sharpening the blade if consistently dull.
Excessive vibration	Loose components. Damaged blade.	Check all connections and fasteners for tightness. Inspect the blade for damage; replace if necessary.
Battery not charging	Charger not plugged in. Faulty battery or charger.	Ensure charger is properly connected to power. Try another outlet. If problem persists, contact customer support.

If the problem persists after attempting these solutions, please contact VEVOR customer support for assistance.

## 8. SPECIFICATIONS

Specification	Value
---------------	-------

Specification	Value
Model Number	M0E-19ET-510
Operating Voltage	20V DC
Motor Speed	1200 RPM
Blade Length	20 inches (510 mm)
Max. Cutting Capacity	0.63 inches (16 mm)
Extendable Length	6.2 - 7.8 ft (1.9 - 2.4 m)
Battery Pack Capacity	2Ah
Product Weight	3.64 kg (8.02 lbs)
Product Dimensions (min. extension)	199 x 9.5 x 16.5 cm
Material	Stainless Steel (Blade: Metal)
Color	Orange
UPC	197988508663

## 9. WARRANTY AND SUPPORT

VEVOR products are designed for durability and performance. For information regarding warranty coverage, technical support, or replacement parts, please refer to the warranty card included with your product or visit the official VEVOR website. Please have your model number (M0E-19ET-510) and purchase date ready when contacting support.