

Manuals.plus /

› Bosch /

› Bosch Chimney DWKA68H60I User Manual

Bosch DWKA68H60I

Bosch Chimney 60cm Self Clean Series

MODEL: DWKA68H60I USER MANUAL

1. Introduction

Welcome to the user manual for your new Bosch Chimney 60cm Self Clean Series, Model DWKA68H60I. This manual provides essential information for the safe and efficient operation, installation, and maintenance of your appliance. Please read this manual thoroughly before using the chimney and keep it for future reference.

Your Bosch chimney is designed to provide powerful suction and efficient smoke and odor removal, ensuring a clean and comfortable cooking environment. It features a self-cleaning function and an easy-to-use touch control panel for convenience.

2. Safety Information

Always adhere to the following safety guidelines to prevent injury or damage to the appliance.

- **Electrical Safety:** Ensure the power supply matches the voltage specified on the appliance. Do not use extension cords or adapters. Disconnect power before cleaning or maintenance.
- **Installation:** Installation must be performed by a qualified technician in accordance with local regulations. Ensure proper ventilation and ducting.
- **Operation:** Do not operate the chimney without the baffle filters in place. Do not flambé under the chimney. Keep children away from the appliance during operation.
- **Cleaning:** Use only recommended cleaning agents. Avoid abrasive materials that can damage surfaces.

3. Product Overview

The Bosch DWKA68H60I is a 60cm wall-mounted chimney designed for modern kitchens. It combines powerful performance with a sleek black finish.



Figure 3.1: Front view of the Bosch Chimney DWKA68H60I.

Key Features:

- **Self-Cleaning Feature:** For hassle-free maintenance.
- **Powerful Suction:** 800 m³/h (as per description) / 950 CMPH (as per specifications) for effective smoke and odor removal.
- **Baffle Filters:** Efficiently trap oil and grease.
- **LED Lights:** Energy-efficient illumination for your cooking area.
- **Touch Control Panel:** For convenient operation.
- **Low Noise Level:** Approximately 55-58 dB for a quiet cooking experience.

Included Components:

Upon unboxing, ensure all components are present:

- Bosch Chimney Unit (DWKA68H60I)
- Baffle Filters (pre-installed or separate)
- Instruction Manual (this document)
- Mounting Hardware (screws, wall plugs, etc. - typically included for wall-mount)
- Ducting Adapter (if applicable)

4. Setup and Installation

Proper installation is crucial for the chimney's performance and safety. It is highly recommended that installation be carried out by a certified technician.

4.1 Pre-Installation Checks:

- Verify that the wall structure can support the chimney's weight (15 kg).
- Ensure adequate clearance from the cooking surface as per local building codes (typically 65-75 cm above the hob).
- Confirm availability of a suitable electrical outlet (230V).
- Plan the ducting route for exhaust air.

4.2 Dimensions and Mounting:

Refer to the diagram below for precise measurements required for installation.

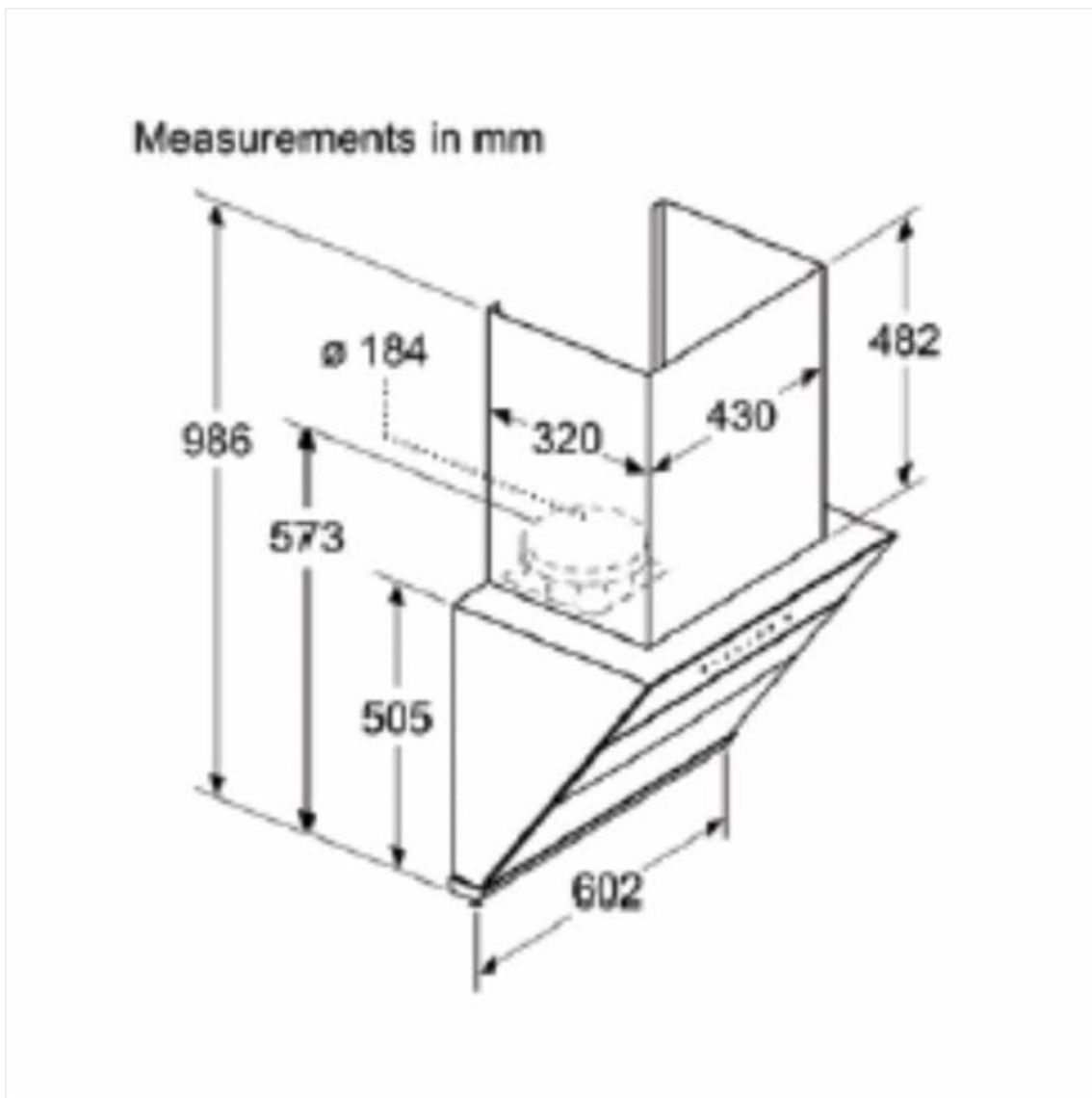


Figure 4.1: Dimensional drawing of the Bosch Chimney DWKA68H60I (Measurements in mm).

The chimney dimensions are approximately 60D x 50W x 45H Centimeters (Product Dimensions from specs). The diagram provides detailed measurements for mounting points and ducting.

4.3 Electrical Connection:

Connect the chimney to a grounded 230V AC power supply. Ensure the connection is secure and complies with all electrical safety standards. Do not power on the unit until installation is complete.

5. Operating Instructions

Your Bosch chimney features an intuitive touch control panel for easy operation.

5.1 Power On/Off:

Press the **Power** button on the touch panel to turn the chimney on or off. The LED indicators will illuminate when the unit is active.

5.2 Suction Speed Control:

Adjust the suction power using the speed control buttons (e.g., '+', '-'). Select a lower speed for light cooking and a higher speed for heavy frying or strong odors.

5.3 Light Operation:

Press the **Light** button to turn the integrated LED lights on or off, illuminating your cooking area.

5.4 Self-Clean Function:

Activate the self-clean cycle by pressing the dedicated **Self-Clean** button. Refer to the display for cycle progress. This feature helps to melt and collect oil residue, simplifying maintenance.

6. Maintenance

Regular maintenance ensures optimal performance and longevity of your Bosch chimney.

6.1 Baffle Filter Cleaning:

Although the chimney has a self-clean function, periodic manual cleaning of the baffle filters is recommended. Remove the filters by sliding them out. Wash them with warm soapy water or in a dishwasher. Ensure they are completely dry before re-installing.

6.2 Exterior Cleaning:

Wipe the exterior surfaces with a soft cloth dampened with mild detergent. Do not use abrasive cleaners, steel wool, or harsh chemicals, as these can damage the finish.

6.3 Self-Clean Cycle:

Run the self-clean cycle regularly, especially after heavy cooking. This feature heats the internal components to melt accumulated oil, which then drains into a collection cup (if applicable, user should check their model for cup location). Empty and clean the oil collection cup as needed.

7. Troubleshooting

Before contacting customer support, please refer to the following common issues and their potential solutions.

Problem	Possible Cause	Solution
Chimney not turning on.	No power supply; loose connection; tripped circuit breaker.	Check power cord, wall outlet, and circuit breaker.
Low suction power.	Clogged filters; improper ducting; wrong speed setting.	Clean baffle filters. Check ducting for obstructions. Increase fan speed.
Excessive noise.	Loose parts; motor issue; improper installation.	Ensure all parts are secure. If noise persists, contact service.
Lights not working.	Faulty LED bulb; electrical issue.	Check connections. If bulb is replaceable, replace it. Otherwise, contact service.

If the problem persists after attempting these solutions, please contact Bosch customer support.

8. Specifications

Technical specifications for the Bosch Chimney DWKA68H60I.

Feature	Detail
Model	DWKA68H60I
Brand	Bosch
Colour	Black
Mounting Type	Wall Mount
Product Dimensions (LxWxH)	60D x 50W x 45H Centimeters
Item Weight	15 Kilograms
Airflow Displacement (Suction Capacity)	950 CMPH (Cubic Meters Per Hour) / 800 m ³ /h (as per description)
Noise Level	55 dB (as per specs) / 58 dB (as per description)
Voltage	230V
Annual Energy Consumption	67.7 Kilowatt Hours
Included Components	Instruction Manual
Manufacturer	BSH Household Appliances Manufacturing Pvt. Ltd.

9. Warranty and Support

9.1 Warranty Information:

Your Bosch Chimney DWKA68H60I comes with a **1-year warranty** from the date of purchase. This warranty covers manufacturing defects and ensures peace of mind. Please retain your purchase receipt as proof of warranty.

9.2 Customer Support:

For installation, demo, service requests, or any other support needs, please contact Bosch customer service:

- **Toll-Free Number:** 1800-266-1880
- **WhatsApp Support:** 987-366-1880

You can also visit the official Bosch website for more information and support resources.

