



[Manuals.plus](#) /

> [Merax](#) /

> Merax 24-inch Bathroom Vanity Sink Set (Model CV2426) - Instruction Manual

Merax CV2426

Merax 24-inch Bathroom Vanity Sink Set (Model CV2426) - Instruction Manual

Your guide to assembly, operation, and maintenance.

1. INTRODUCTION

Thank you for choosing the Merax 24-inch Bathroom Vanity Sink Set. This manual provides essential information for the safe assembly, proper operation, and effective maintenance of your new vanity. Please read these instructions thoroughly before beginning assembly or use to ensure optimal performance and longevity of the product.

2. SAFETY INFORMATION

Please observe the following safety precautions during assembly and use:

- Always assemble with at least two people to prevent injury and damage.
- Ensure all hardware is securely tightened before use. Do not overtighten screws.
- Keep small parts and packaging materials away from children.
- Use appropriate tools as specified in the assembly steps.
- Do not stand or climb on the vanity.
- Place the vanity on a level, stable surface.

3. PACKAGE CONTENTS

Verify that all components are present before beginning assembly. If any parts are missing or damaged, please contact customer support.

Item	Description	Quantity
------	-------------	----------

Item	Description	Quantity
Vanity Cabinet	Main cabinet structure with pre-drilled holes for sink and hardware.	1
Ceramic Sink	Integrated sink basin with pre-drilled faucet holes (faucet not included).	1
Hardware Pack	Includes screws, hinges, drawer slides, and handles.	1 set
Adjustable Shelf	Internal shelf for cabinet storage.	1
Instruction Manual	This document.	1

4. SETUP AND ASSEMBLY

Follow these steps carefully for proper assembly. Refer to the diagrams for visual guidance.

4.1 Unpacking and Preparation

1. Carefully unpack all components and lay them out on a clean, soft surface to prevent scratches.
2. Identify all parts against the package contents list.
3. Ensure you have the necessary tools (e.g., screwdriver, wrench).

4.2 Attaching Legs

1. Attach the solid wood legs to the bottom of the vanity cabinet using the provided hardware. Ensure they are securely fastened.

Unit:inch

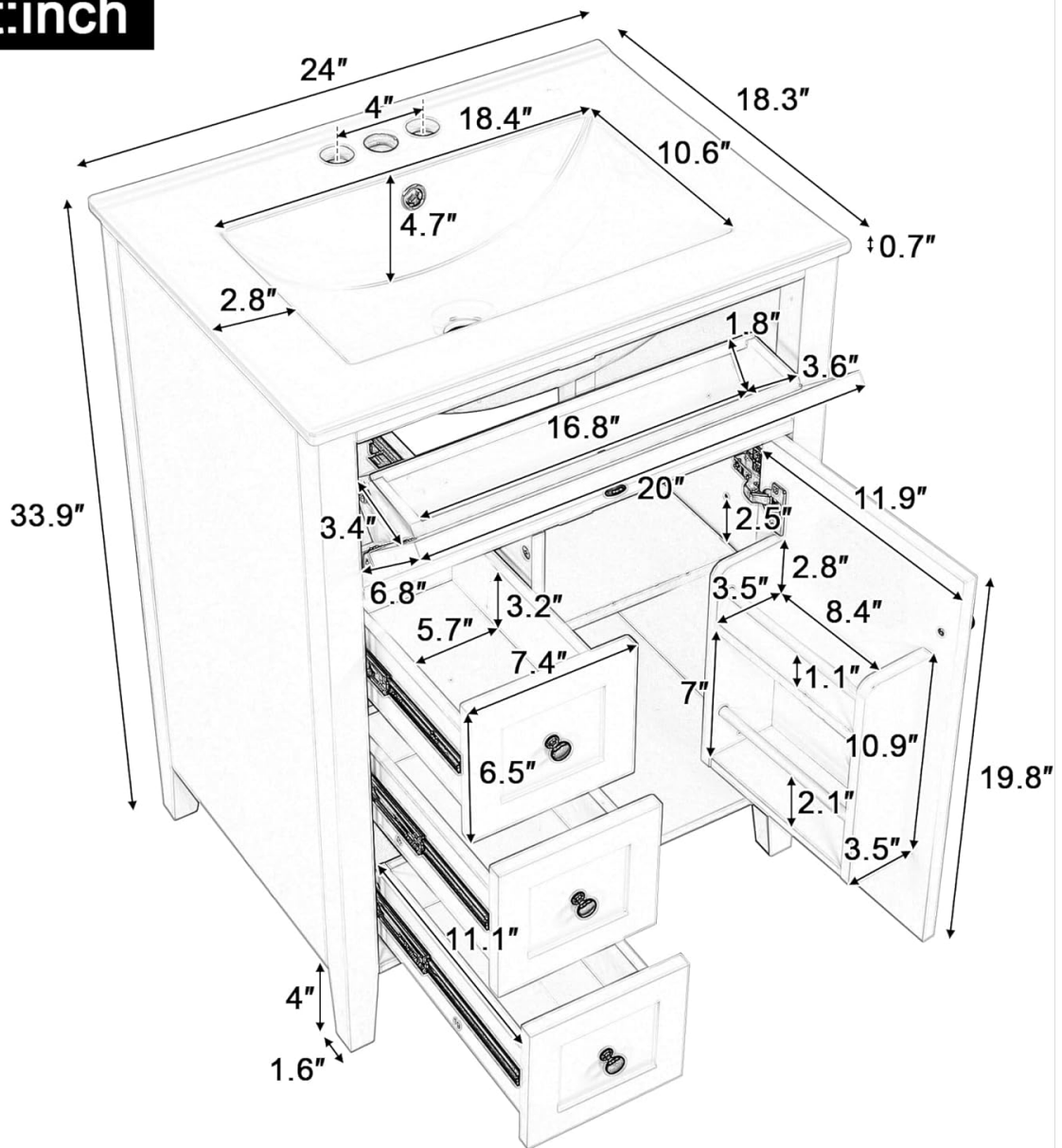


Figure 4.2.1: Detail of sturdy legs and other components.

4.3 Installing the Ceramic Sink

1. Carefully place the ceramic sink onto the top of the vanity cabinet, aligning it with the pre-drilled holes.
2. Secure the sink to the cabinet using the appropriate fasteners as indicated in the detailed assembly instructions provided in the package.
3. Install your chosen 4-inch centerset faucet (not included) into the pre-drilled holes on the sink.



Figure 4.3.1: Ceramic sink basin with pre-drilled faucet holes and overflow.

4.4 Installing Drawers and Cabinet Door

1. Assemble the three side drawers and the tip-out drawer according to the detailed instructions, attaching the drawer slides and gold metal handles.
2. Install the assembled drawers into their respective compartments in the vanity cabinet.

3. Attach the cabinet door using the metal door hinges. Ensure the door opens and closes smoothly.
4. Install the adjustable shelf inside the cabinet to suit your storage needs.

Ample Storage Space



Figure 4.4.1: Vanity with tip-out drawer, side drawers, and cabinet door open.

Durable & Long-lasting Use



Solid Wood
Frame



High Quality
MDF Board



Painted Finish



Figure 4.4.2: Vanity with all storage compartments open, showing internal organization.

Unit:inch

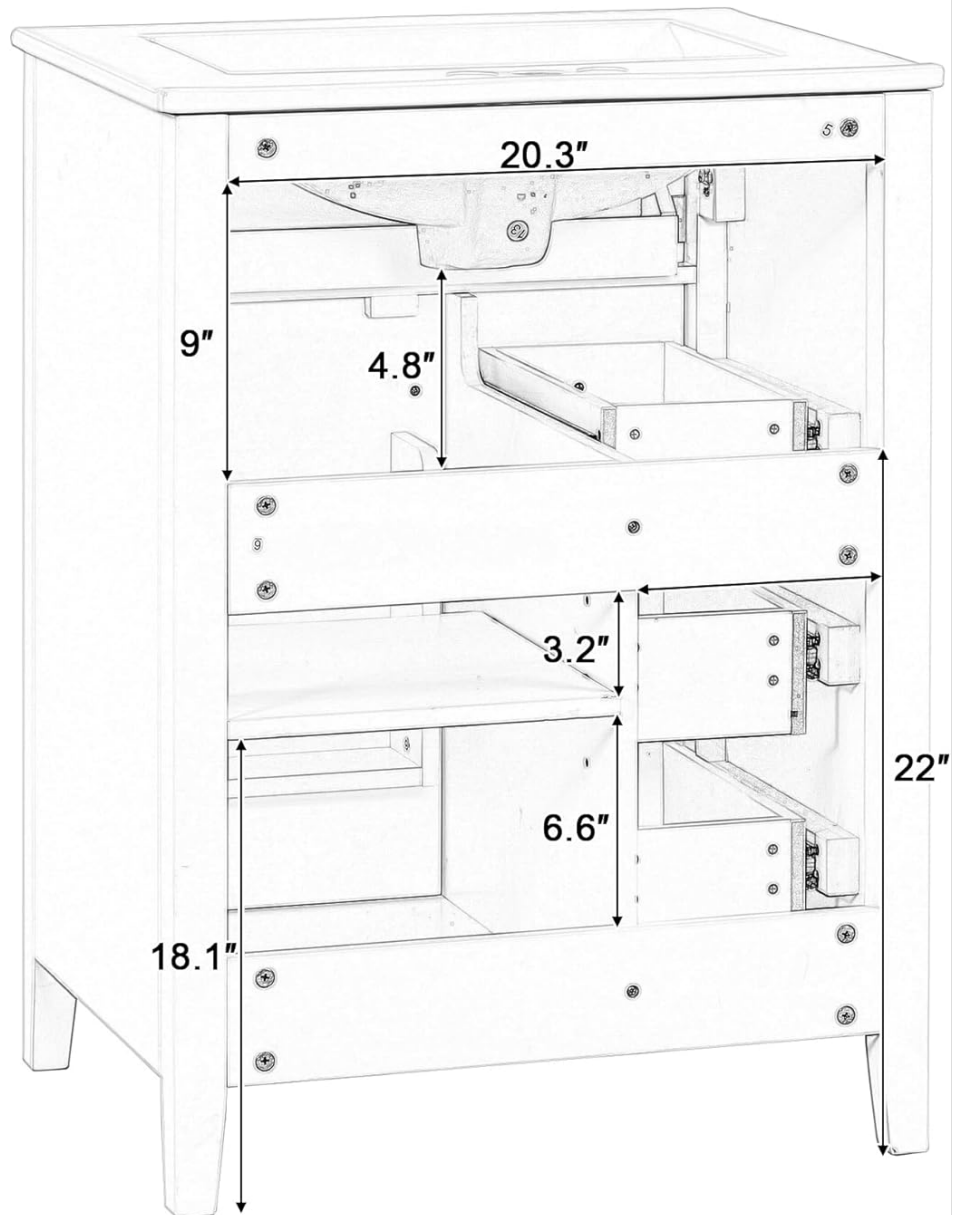


Figure 4.4.3: Storage space diagram.

5. OPERATING INSTRUCTIONS

The Merax 24-inch Bathroom Vanity is designed for convenient storage and daily use.

- **Tip-Out Drawer:** Gently pull the top panel to access the tip-out drawer, ideal for small, frequently used items like toothbrushes or sponges.
- **Side Drawers:** Utilize the three soft-closing side drawers for organized storage of toiletries, cosmetics, or other bathroom essentials.
- **Cabinet with Adjustable Shelf:** Open the cabinet door to access the main storage area. The adjustable shelf allows you to customize the space for taller items such as cleaning supplies or towels. The door also features a rack for additional storage.
- **Sink Use:** The ceramic sink is suitable for standard bathroom use. Ensure proper plumbing connections are made by a qualified professional.



Figure 5.1.1: Merax 24-inch Bathroom Vanity Sink Set in use.

6. MAINTENANCE

Proper care will help maintain the appearance and functionality of your vanity.

- **Cleaning the Cabinet:** Wipe the cabinet surfaces with a soft, damp cloth. Avoid abrasive cleaners or harsh chemicals that may damage the finish.
- **Cleaning the Sink:** Clean the ceramic sink with mild soap and water. Rinse thoroughly and dry with a soft cloth to prevent water spots.
- **Hardware:** Periodically check and tighten any loose hardware, such as handles or hinges.
- **Spills:** Wipe up spills immediately to prevent water damage or staining, especially on wood surfaces.
- **Avoid Excessive Moisture:** While designed for bathroom use, avoid prolonged exposure to excessive moisture. Ensure proper ventilation in the bathroom.

7. TROUBLESHOOTING

Refer to this section for solutions to common issues.

Problem	Possible Cause	Solution
Drawers do not slide smoothly.	Misaligned drawer slides or obstruction.	Check alignment of drawer slides. Ensure no items are blocking the mechanism. Lubricate slides if necessary.
Cabinet door does not close properly.	Misaligned hinges or obstruction.	Adjust hinges as per assembly instructions. Remove any items obstructing the door closure.
Vanity wobbles.	Uneven floor or loose leg connections.	Ensure the vanity is on a level surface. Tighten leg connections. Use shims if necessary for uneven floors.
Water leakage from sink.	Improper plumbing connection.	Consult a qualified plumber to inspect and secure all plumbing connections.

8. SPECIFICATIONS

Feature	Detail
Brand	Merax
Model Number	CV2426
Product Dimensions (L x W x H)	18.3 x 24 x 33.9 inches
Item Weight	84.4 pounds
Material	Ceramic, Engineered Wood (MDF), Solid Wood (Legs)
Color	Black
Number of Drawers	4 (1 tip-out, 3 standard)
Special Feature	Adjustable Shelf, Removable Shelf
UPC	195358776926



Figure 8.1.1: Overall dimensions of the vanity.



Figure 8.1.2: Internal dimensions of the vanity.

9. WARRANTY AND SUPPORT

This product is designed for durability and long-lasting performance. While specific warranty details are not provided in this manual, Merax is committed to customer satisfaction.

If you encounter any problems during assembly or use, or if you have questions regarding your Merax 24-inch Bathroom Vanity Sink Set, please contact Merax customer support for assistance. Refer to your purchase documentation or the Merax official website for contact information.

