

[Manuals.plus](#) /

> [VEVOR](#) /

> VEVOR Trapeze Bar for Bed Mobility, Model FBL900975 Instruction Manual

VEVOR FBL900975

VEVOR Trapeze Bar for Bed Mobility Instruction Manual

Model: FBL900975

1. INTRODUCTION

This manual provides essential information for the safe and effective use of your VEVOR Trapeze Bar for Bed Mobility. Please read these instructions thoroughly before assembly and operation. Retain this manual for future reference.

The VEVOR Trapeze Bar is designed to assist individuals with limited mobility, such as seniors, disabled persons, or those recovering from surgery, in repositioning themselves in bed, getting in and out of bed, and transferring to a wheelchair independently. It also serves as a tool for upper body exercises to aid recovery. This free-standing unit is suitable for various bed types and applications, including hospitals, nursing homes, and home care settings.





Image: The VEVOR Trapeze Bar for Bed Mobility.

2. IMPORTANT SAFETY INFORMATION

WARNING: Failure to follow these safety instructions may result in injury or damage to the product.

- **Weight Capacity:** Do not exceed the maximum weight capacity of 250 lbs (113 kg).
- **Secure Installation:** Ensure the trapeze bar is securely assembled and anchored to the floor as instructed to prevent wobbling or tipping. The reinforced triangular support at the base and top enhances structural strength.
- **Regular Inspection:** Before each use, inspect all components for wear, damage, or loose connections. Do not use if any part is damaged or missing.
- **Proper Use:** Use the trapeze bar only for its intended purpose of assisting with bed mobility and light upper body exercises.
- **Supervision:** Individuals with severe cognitive impairment or those who cannot follow instructions should be supervised during use.
- **Clear Area:** Ensure the area around the trapeze bar is clear of obstructions.

- **Handle Adjustment:** Always ensure the handle is securely fastened and adjusted to a comfortable and safe height before use.

3. PACKAGE CONTENTS

Verify that all components are present before beginning assembly. If any parts are missing or damaged, contact VEVOR customer support.

- Main Frame Components (Base, Vertical Supports, Horizontal Bar)
- Adjustable Handle with Strap
- Assembly Hardware (Screws, Wrenches)
- Ground Anchor Screws (for enhanced stability)
- Instruction Manual

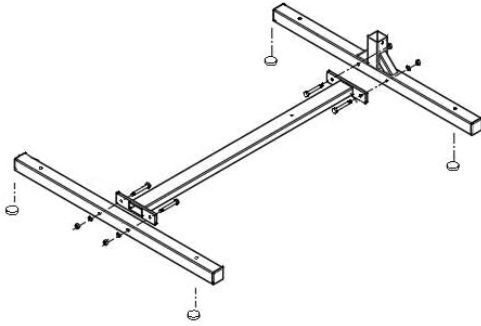
4. ASSEMBLY INSTRUCTIONS

Follow these steps for quick and easy assembly. It is recommended to have assistance during assembly.

Installation Instructions

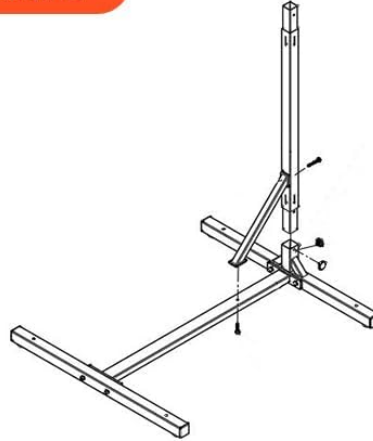
Tools Free, Quick Installation

STEP 1



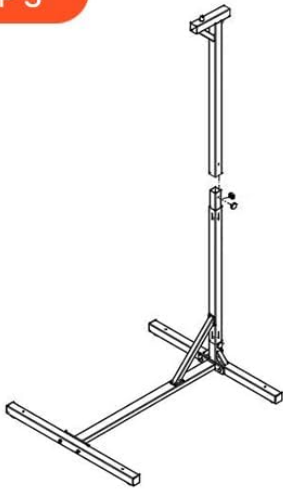
Assemble the front and rear transverse tubes to the base

STEP 2



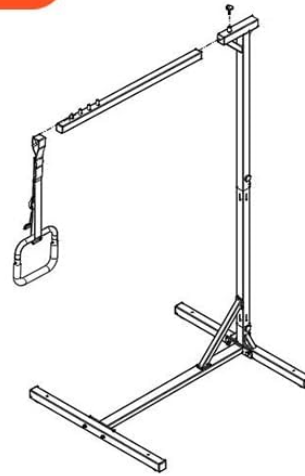
Align the standpipe with the base front pipe and tighten

STEP 3



Connect the two standpipes and tighten securely

STEP 4



Connect the horizontal and standpipes, then install the handle



For more detailed installation guide, you can refer to the user manual

Image: Step-by-step assembly diagram for the VEVOR Trapeze Bar.

1. Step 1: Assemble the Base

Connect the front and rear transverse tubes to the main base frame. Ensure all connections are secure using the provided hardware.

2. Step 2: Attach the First Standpipe

Align the first vertical standpipe with the base front pipe and tighten securely using the provided hardware.

3. Step 3: Connect the Second Standpipe

Connect the second vertical standpipe to the first, ensuring a firm connection.

4. Step 4: Install Horizontal Bar and Handle

Attach the horizontal support bar to the top of the vertical standpipes. Then, install the adjustable handle onto the horizontal bar.

For enhanced stability, utilize the provided ground anchor screws to firmly secure the base to the floor. This prevents any movement during use.

5. OPERATION AND USAGE

The VEVOR Trapeze Bar is designed to provide reliable assistance for various mobility needs.

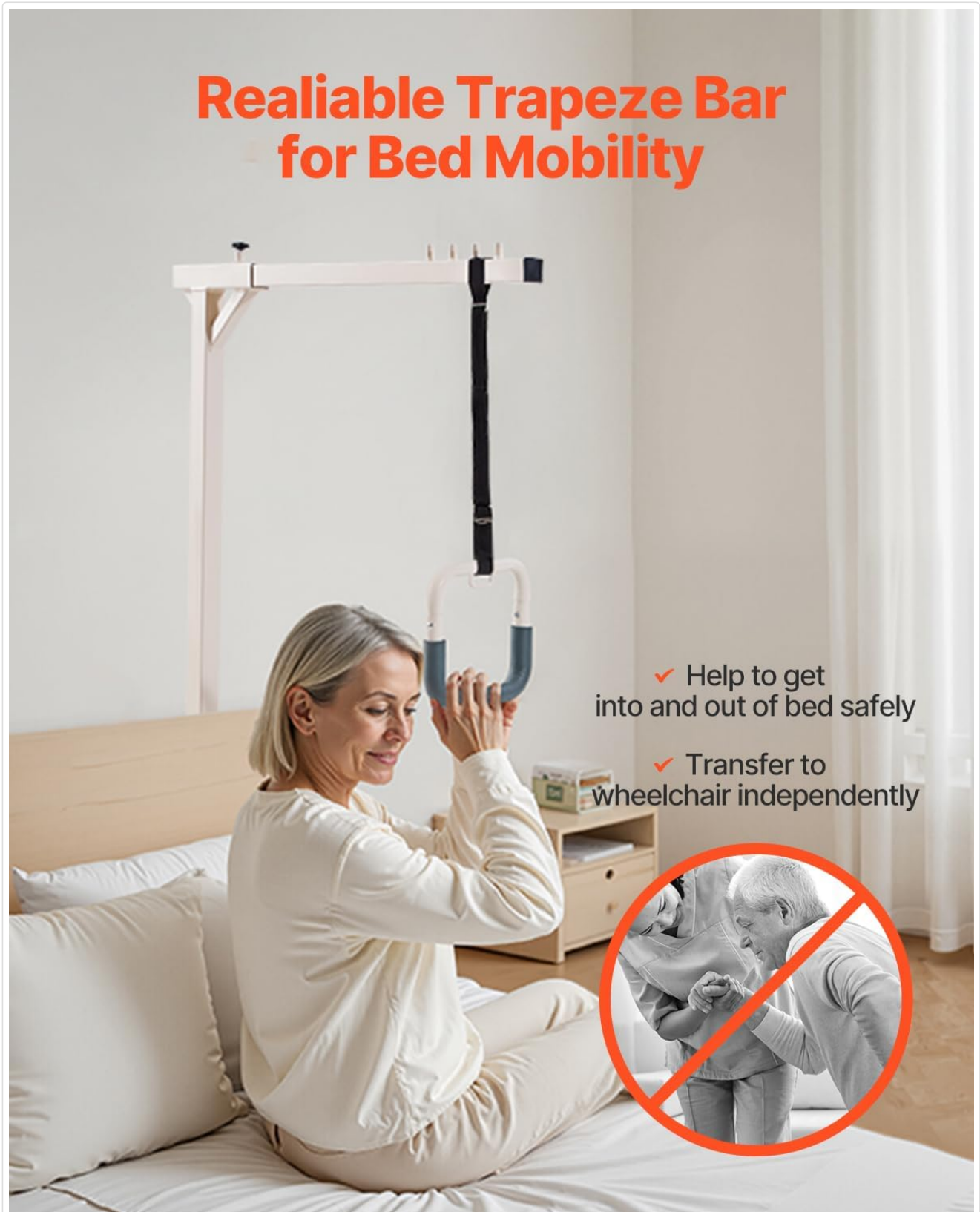


Image: A user demonstrating how the trapeze bar assists with sitting up in bed.

5.1 Adjusting the Handle

The trapeze bar features a non-slip, comfortable handle with an adjustable strap for customized positioning.

- **Height Adjustment:** The strap allows for vertical adjustment of the handle height. Adjust it to a position where the user can comfortably reach and grip the handle while lying down or sitting up.
- **Horizontal Adjustment:** The strap can also be moved horizontally along the upper support arm to provide optimal reach and leverage for the user.

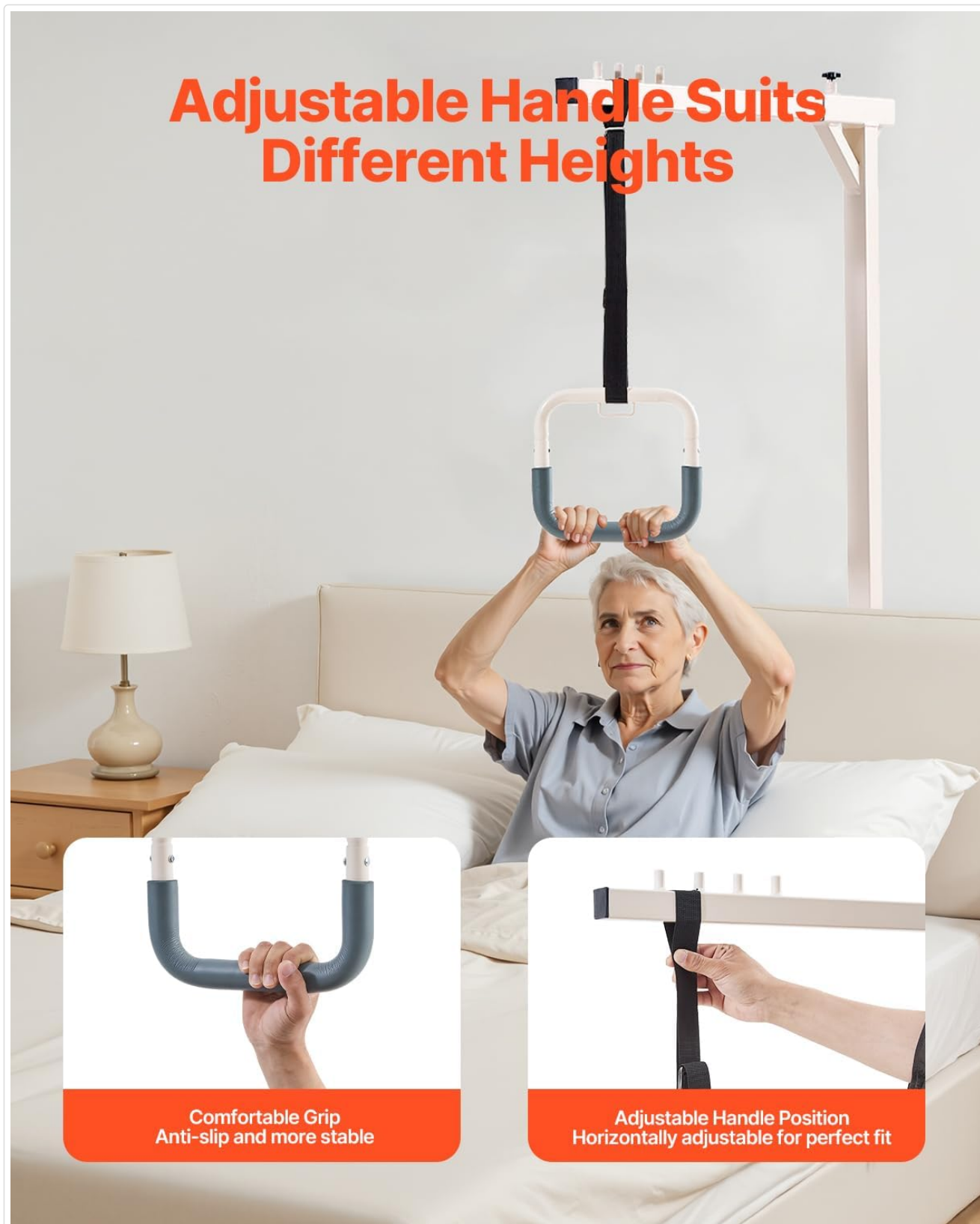


Image: Details of the adjustable handle and its non-slip grip.

5.2 Assisted Mobility

The trapeze bar provides support for several key mobility tasks:

- **Getting In and Out of Bed:** Users can grasp the handle to pull themselves up or lower themselves down safely and independently.
- **Repositioning:** Facilitates shifting body weight and adjusting position within the bed.
- **Transfer to Wheelchair:** Provides a stable point of leverage for transferring from the bed to a wheelchair.

Great Helper for Safer Transfer

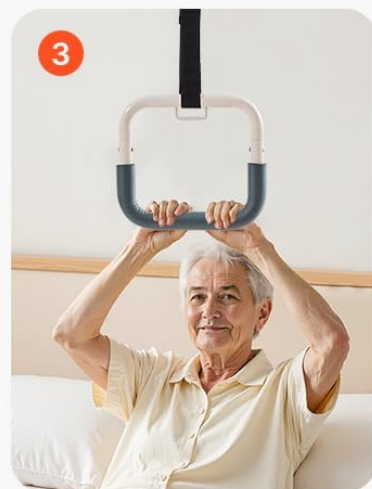


Image: Demonstrations of the trapeze bar's utility for independent movement and exercise.

5.3 Exercise and Recovery

The trapeze bar can also be used for light upper body exercises to strengthen muscles and aid in physical recovery, under the guidance of a healthcare professional.

6. MAINTENANCE

Proper maintenance ensures the longevity and safe operation of your trapeze bar.

- **Cleaning:** Wipe the frame and handle with a damp cloth. Use mild soap if necessary, then wipe dry. Avoid abrasive cleaners or solvents.
- **Inspection:** Regularly check all bolts, screws, and connections to ensure they are tight. Inspect the handle and strap for any signs of wear or damage.
- **Storage:** If not in use for an extended period, store the trapeze bar in a dry, clean environment.

7. TROUBLESHOOTING

If you encounter issues with your VEVOR Trapeze Bar, refer to the following common solutions:

- **Wobbling or Instability:**
 - Ensure all assembly bolts and screws are fully tightened.
 - Verify that the ground anchor screws are properly installed and secured to the floor.
 - Check that the trapeze bar is placed on a flat, stable surface.
- **Handle Slipping:**
 - Ensure the handle strap is correctly threaded and securely fastened.
 - Inspect the strap and handle for wear or damage. Replace if necessary.
- **Difficulty Adjusting Handle:**
 - Ensure no obstructions are preventing smooth adjustment of the strap.
 - Check for any debris or damage to the adjustment mechanism.

If the problem persists or if you experience any other issues, please contact VEVOR customer support for assistance.

8. SPECIFICATIONS

Feature	Detail
Model Number	FBL900975
Material	Q195 Steel with Powder Coating
Weight Capacity	250 lbs (113 kg)
Product Weight	33.3 lbs (15.1 kg)
Product Dimensions (W x D x H)	38.0" x 30.31" x 67.72" (965 mm x 770 mm x 1720 mm)
Color	White
UPC	197988513421



Item Model Number: **FBL900975**

Material: **Q195 Steel with Powder Coating**

Weight Capacity: **250 lbs**

Product Weight: **33.29 lbs/ 15.1 kg**

Product Dimensions: **38.0 x 30.31 x 67.72 inch / 965 x 770 x 1720 mm**

Image: Dimensional overview of the VEVOR Trapeze Bar.

9. WARRANTY AND SUPPORT

VEVOR products are designed for durability and performance. For warranty information, technical support, or to inquire about replacement parts, please contact VEVOR customer service.

You can typically find contact information on the VEVOR official website or through your purchase documentation.

Please have your model number (FBL900975) and purchase date available when contacting support.

Product Care Instructions: Wipe with a damp cloth.



© 2025 VEVOR. All rights reserved.