

[Manuals.plus](#) /

› [Resenkos](#) /

› Resenkos 3-in-1 Convertible Sleeper Sofa Bed Instruction Manual

## Resenkos B0F6BP5WZ2

# Resenkos 3-in-1 Convertible Sleeper Sofa Bed Instruction Manual

Model: B0F6BP5WZ2 | Brand: Resenkos

## 1. PRODUCT OVERVIEW

The Resenkos 3-in-1 Convertible Sleeper Sofa Bed is a versatile furniture piece designed for comfort and functionality in various living spaces. It easily transforms from a sofa to a chaise lounge or a full sleeper bed, making it ideal for small rooms or accommodating guests. This model features a durable wood frame, strong coil springs, metal brackets, and soft velvet fabric upholstery.



Figure 1: Resenkos 3-in-1 Convertible Sleeper Sofa Bed in its fully extended bed configuration.

## 2. SAFETY INFORMATION

---

Please read and understand all safety information before using this product.

- All foam and upholstered surfaces meet flammability standards.
- Keep the sofa bed away from open flames or high heat sources to prevent fire hazards.
- Supervise children and pets around the sofa bed to avoid risks of entrapment or injury during conversion.
- Ensure the sofa bed is placed on a flat, stable surface to prevent tipping.
- Do not exceed the maximum weight limit of 500 pounds.

## 3. SETUP AND ASSEMBLY

---

Your Resenkos sofa bed requires minimal assembly. It comes with an instruction manual to guide you through the process, which can typically be completed within 30 minutes.

1. **Unpack Components:** Carefully remove all parts from the packaging. Ensure all components listed in the included manual are present.

2. **Attach Legs (if separate):** Follow the specific instructions in your manual to securely attach any legs or support feet.
3. **Position the Sofa:** Place the sofa in your desired location, ensuring adequate space for conversion to bed mode.
4. **Allow to Expand:** If the cushions appear compressed from packaging, allow them a few hours to fully expand to their intended shape and firmness.

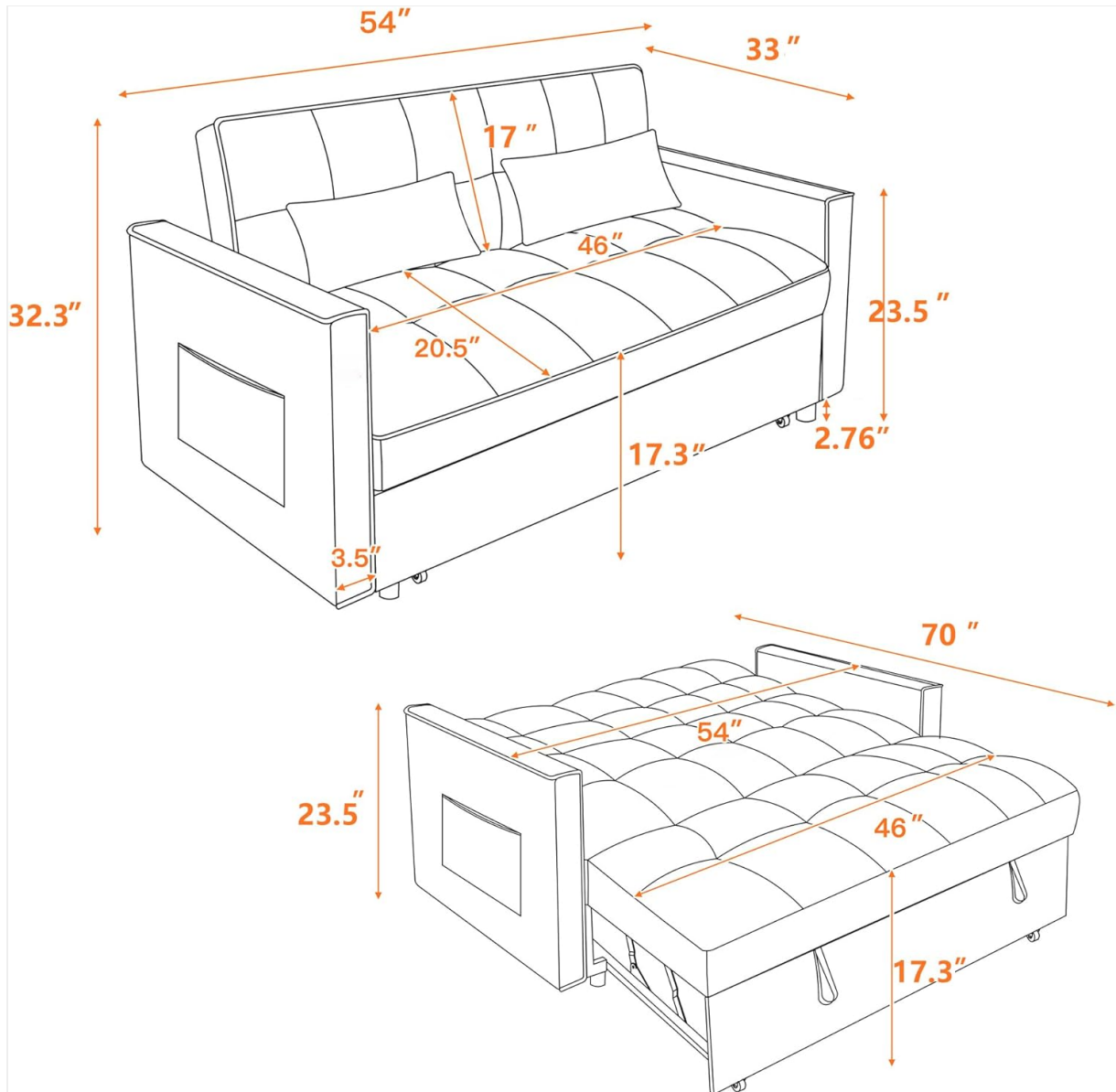


Figure 2: Product dimensions for sofa and bed configurations.

## 4. OPERATING INSTRUCTIONS

### 4.1 Converting to Sleeper Bed or Chaise Lounge

The sofa features a folding design with auxiliary pull ropes for easy conversion. To transform the sofa:

1. **Locate Pull Ropes:** Find the two auxiliary pull ropes located at the front base of the sofa.
2. **Pull Out Mechanism:** Gently pull the ropes to extend the hidden bed section from underneath the main sofa cushions. The section will roll out on sliding wheels.
3. **Full Bed Configuration:** Continue pulling until the bed section is fully extended and flat, creating a complete sleeping surface.
4. **Chaise Lounge Configuration:** For a chaise lounge, extend the bed section partially, allowing you to

recline with leg support.

5. **Retract:** To return to sofa mode, push the extended section back into the base until it is fully concealed.



Figure 3: Visual representation of the 3-in-1 multifunction pull-out couch.

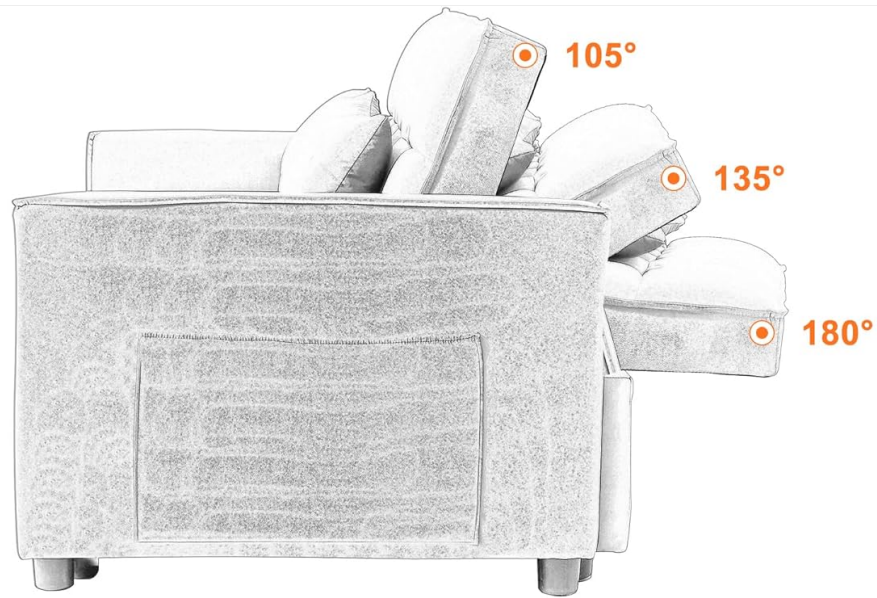
Your browser does not support the video tag.

Video 1: Demonstration of the 3-in-1 Convertible Sleeper Sofa Bed conversion process.

## 4.2 Adjusting the Backrest

The backrest offers three different angle adjustments (105°, 135°, 180°) to suit your comfort needs.

1. **To Recline:** Gently push the backrest backward to the desired angle. You will feel it click into place at each preset position.
2. **To Return Upright:** Push the backrest fully forward until it clicks into the upright position, then release.



### 3 Backrest Angles for Adjustable Comfort



Figure 4: Illustration of the three adjustable backrest angles.

#### 4.3 Utilizing Side Pockets

The armrests are equipped with side storage pockets, convenient for storing items such as books, magazines, remote controls, or small electronic devices.



Figure 5: Close-up of the convenient side storage pockets and sliding wheels.

## 5. MAINTENANCE AND CARE

Proper care will extend the life and appearance of your sofa bed.

- **Cleaning:** Clean the velvet fabric with a soft brush to remove dust and debris. For spills, blot immediately with a clean, dry cloth. Avoid harsh chemicals.
- **Cushion Care:** The seat cushion covers are removable. Refer to the care label for specific washing instructions.
- **Frame Inspection:** Periodically check all connections and hardware to ensure they are tight and secure.

## 6. TROUBLESHOOTING

If you encounter any issues with your Resenkos sofa bed, please refer to the following common solutions:

- **Difficulty Converting:** Ensure no obstructions are blocking the pull-out mechanism. Check that the sliding wheels are clear of debris.
- **Backrest Not Adjusting:** Verify that the backrest is fully engaged in the previous position before

attempting to adjust to a new angle. Apply gentle, even pressure.

- **Unstable Feel:** Confirm that all assembly hardware is tightened. Ensure the sofa is on a level surface.

If problems persist, please contact Resenkos customer support for further assistance.

## 7. SPECIFICATIONS

Feature	Detail
Brand	Resenkos
Model Number	B0F6BP5WZ2
Type	Sofa Bed
Color	Green
Upholstery Fabric Type	Velvet
Frame Material Type	Wood
Seat Fill Material	Foam
Product Dimensions (Sofa)	54"W x 38"D x 31"H
Sleep Sofa Bed Size	69.7"D x 54"W x 23"H
Item Weight	99 Pounds
Weight Limit	500 Pounds
Seating Capacity	2
Adjustable Backrest Positions	3 (105°, 135°, 180°)
Special Features	Adjustable Backrest, Armrest, Recliner, Side Pouch, Space Saving
Assembly Required	Yes
Removable Seat Cushion Cover	Yes
Product Care Instructions	Clean With Soft Brush

## 8. WARRANTY AND SUPPORT

This Resenkos sofa bed comes with a limited warranty. For detailed information regarding warranty coverage, terms, and conditions, please refer to the warranty card included with your product or contact Resenkos customer support.

If you have any questions or require assistance, please feel free to contact us at any time.