



[Manuals.plus](#) /

› [Teenpull](#) /

› Teenpull Sonoma Oak Corner Desk Instruction Manual

## Teenpull Sonoma Oak Corner Desk

# Teenpull Sonoma Oak Corner Desk Instruction Manual

Model: Sonoma Oak Corner Desk

## 1. INTRODUCTION AND OVERVIEW

---

This manual provides essential information for the assembly, operation, and maintenance of your Teenpull Sonoma Oak Corner Desk. Designed to maximize space, this desk offers a functional and stylish workspace for your home office or study area. Please read these instructions carefully before beginning assembly and retain them for future reference.



Image 1.1: The Teenpull Sonoma Oak Corner Desk, showcasing its L-shaped design and integrated storage in a contemporary room.

## 2. SAFETY INFORMATION

---

- Always follow assembly instructions precisely. Incorrect assembly can lead to instability and injury.
- Ensure all fasteners are securely tightened before use. Periodically check and re-tighten as necessary.
- Do not overload drawers or shelves. Distribute weight evenly to prevent tipping.
- Keep small parts and packaging materials away from children to prevent choking hazards.
- Use on a flat, stable surface.
- Avoid placing hot items directly on the desk surface without protection.

## 3. PACKAGE CONTENTS

---

Verify that all components listed below are present before beginning assembly. If any parts are missing or damaged, please contact customer support.

- Corner Desk Components (engineered wood panels)
- Assembly Hardware (screws, dowels, cam locks, etc.)
- Assembly Instructions (this document)

## 4. SETUP AND ASSEMBLY

---

Assembly of the Teenpull Sonoma Oak Corner Desk requires two people for optimal safety and ease. Please allocate sufficient time and space for the assembly process.

### 4.1 Tools Required (Not Included)

- Phillips Head Screwdriver
- Hammer (for dowels)

### 4.2 General Assembly Steps

1. **Unpack and Identify:** Carefully unpack all components and hardware. Lay them out on a clean, soft surface to prevent scratches. Refer to the included parts list (if separate) to identify each piece.
2. **Assemble Base Units:** Begin by assembling the two base units that form the sides of the corner desk, which include the drawers and shelves. Follow the diagrams provided in the separate assembly guide for specific panel and hardware placement.
3. **Attach Desk Surface:** Once the base units are stable, carefully position and attach the main desk surface to the assembled bases. Ensure proper alignment before tightening fasteners.
4. **Install Drawers:** Assemble the drawer boxes and install the drawer slides onto both the drawers and the desk frame. Insert the assembled drawers into their respective compartments.
5. **Final Checks:** Verify that all screws and fasteners are tight. Gently move the desk to its desired location.

*Note: A detailed step-by-step assembly diagram is included separately with your product. Please refer to that document for visual guidance.*

## 5. OPERATING INSTRUCTIONS

---

The Teenpull Sonoma Oak Corner Desk is designed for practical use in a home or office environment.

### 5.1 Drawer Usage

The desk features four large drawers for organized storage. To open, gently pull the drawer front. To close, push until it is fully seated. Avoid forcing drawers if they feel stiff; check for obstructions or misaligned items.

### 5.2 Shelf Usage

Four open shelves provide additional storage for books, documents, or decorative items. Distribute weight evenly across the shelves to maintain stability.



Image 5.1: The desk showcasing its ample surface area and integrated storage, including drawers and open shelves.

## 6. MAINTENANCE

---

Proper care will ensure the longevity and appearance of your desk.

- **Cleaning:** Wipe surfaces with a soft, damp cloth. Avoid abrasive cleaners or harsh chemicals, which can damage the finish.
- **Spills:** Clean spills immediately with a dry cloth to prevent moisture absorption and staining.
- **Heat Protection:** Use coasters or protective pads under hot items to prevent heat damage to the surface.
- **Sunlight:** Avoid prolonged exposure to direct sunlight, which can cause fading or discoloration over time.
- **Fasteners:** Periodically check and re-tighten all screws and fittings to maintain structural integrity.

## 7. TROUBLESHOOTING

---

- **Desk is wobbly:** Ensure all assembly screws are fully tightened. Check that the desk is on a level surface.
- **Drawers do not slide smoothly:** Check for obstructions in the drawer slides. Ensure the slides are correctly installed and lubricated if necessary.
- **Surface scratches:** Minor scratches can sometimes be touched up with a furniture repair pen matching the Sonoma Oak finish. Prevent future scratches by using desk mats or pads.

## 8. SPECIFICATIONS

---

| Feature                        | Detail  |
|--------------------------------|---|
| Model Name                     | Sonoma Oak Corner Desk                        |
| Brand                          | Teenpull                                      |
| Color                          | Sonoma Oak                                    |
| Material                       | Engineered Wood                               |
| Finish                         | Matte   |
| Overall Dimensions (W x L x H) | 100 x 145 x 76 cm (39.4 x 57.1 x 29.9 inches) |
| Surface Height                 | 76 cm (29.9 inches)                           |
| Weight                         | 48 kg   |
| Number of Drawers              | 4   |
| Number of Shelves              | 4   |
| Assembly Required              | Yes   |
| Recommended Assembly Persons   | 2   |
| ASIN                           | B0F6BB7PBZ                                    |
| SKU                            | 801092  |
| EAN                            | 8719883869599                                 |

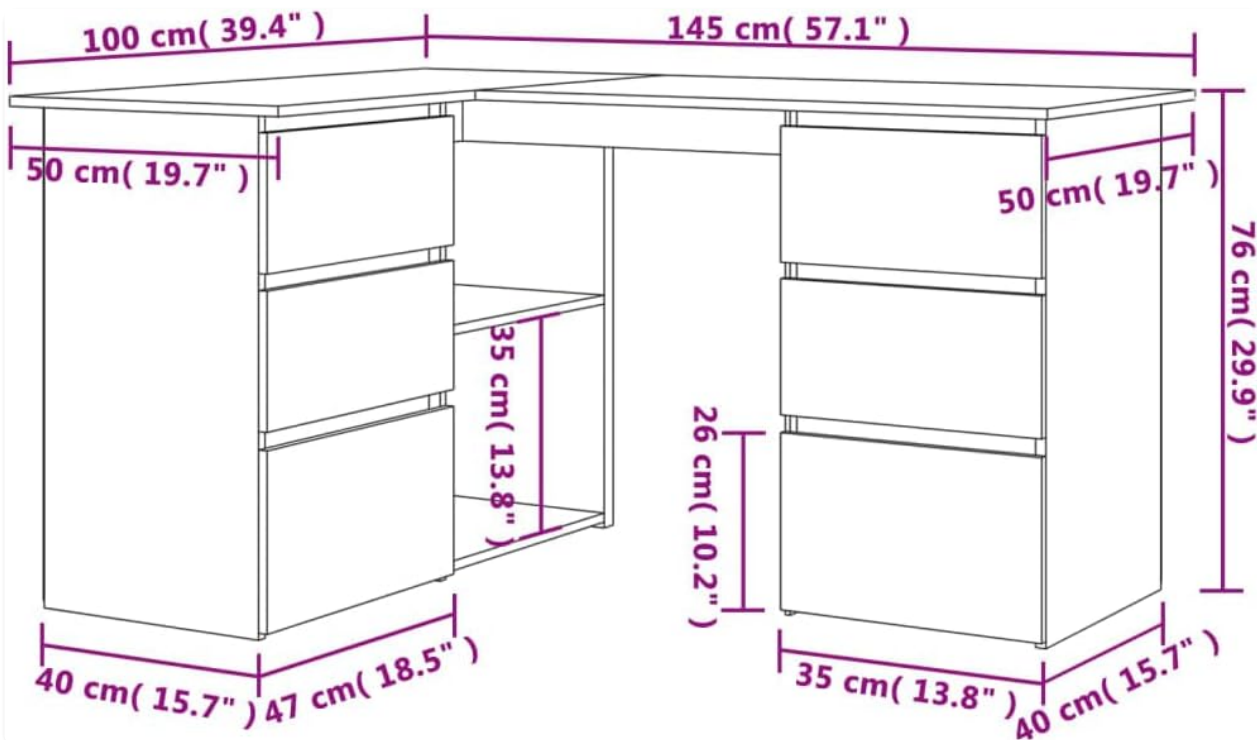


Image 8.1: Dimensional drawing of the corner desk, indicating width, length, height, and internal compartment measurements.

## 9. WARRANTY AND SUPPORT

For any questions regarding assembly, missing parts, or product defects, please contact Teenpull customer support. While specific warranty details are not provided in this manual, please refer to your purchase documentation or the retailer's website for warranty information.

For assistance, please visit the Teenpull support page or contact your point of purchase.