

KKT KOLBE ECCO9005WM

KKT KOLBE ECCO9005WM 90 cm Wall-Mounted Range Hood Instruction Manual

Model: ECCO9005WM

1. INTRODUCTION

Thank you for choosing the KKT KOLBE ECCO9005WM 90 cm Wall-Mounted Range Hood. This manual provides essential information for the safe and efficient installation, operation, and maintenance of your appliance. Please read it thoroughly before use and keep it for future reference.

The ECCO9005WM is a modern, head-free range hood designed for wall mounting, featuring a white glass finish, Smart WiFi control, RGBW ambient LED lighting, and a powerful 782 m³/h airflow capacity.

2. SAFETY INFORMATION

Please observe the following safety precautions to prevent personal injury or damage to the appliance:

- Ensure the appliance is installed by a qualified technician in accordance with local regulations.
- Always disconnect the power supply before cleaning or performing maintenance.
- Do not flambé under the range hood.
- Do not leave frying pans unattended during use, as overheated oil can ignite.
- Regularly clean grease filters to prevent fire hazards.
- Ensure adequate ventilation in the room when the range hood is used simultaneously with other gas or fuel-burning appliances.
- This appliance is not intended for use by persons (including children) with reduced physical, sensory or mental capabilities, or lack of experience and knowledge, unless they have been given supervision or instruction concerning use of the appliance by a person responsible for their safety.
- Children should be supervised to ensure that they do not play with the appliance.

3. PRODUCT FEATURES

- **Model:** ECCO9005WM
- **Type:** Wall-mounted, head-free design

- **Material:** White Glass, Stainless Steel
- **Dimensions (D x W x H):** 38.6 x 90 x 75 cm
- **Airflow Capacity:** 782 m³/h
- **Fan Speeds:** 9 levels
- **Control Method:** TouchSelect Sensor Control, Smart WiFi App Control
- **Lighting:** RGBW Ambient LED Lighting, Standard LED Lighting
- **Noise Level:** 65 dB
- **Energy Efficiency Class:** A+++
- **Filter Type:** Metal grease filter, Activated carbon filter (for recirculation mode)
- **Special Features:** Automatic shut-off timer, Exhaust or Recirculation operation

4. SETUP AND INSTALLATION

The KKT KOLBE ECCO9005WM range hood is designed for wall mounting. Ensure the mounting surface is strong enough to support the appliance's weight (13.87 kg).

4.1 Unpacking and Inspection

Carefully unpack the range hood and check for any transport damage. Retain the packaging materials until you are satisfied with the product.

4.2 Mounting

The included mounting material is suitable for standard wall types. For specific wall materials, consult a professional. The telescopic shaft allows for height adjustment. Ensure the exhaust duct (Ø 150 mm) or recirculation system is correctly installed.

9 Leistungsstufen

Dank superleiser Speed-Motoren-Technologie zieht der Abzug auf höchster Stufe **782 m³/h**.



Nachlaufautomatik

Mithilfe der Nachlaufautomatik können Sie Ihre Dunstabzugshaube nach voreingestellter Zeit automatisch abschalten lassen.

Figure 1: Key components of the ECCO9005WM range hood.

4.3 Ventilation Modes

The range hood supports both exhaust (ducted) and recirculation (ductless) modes. For recirculation mode, activated carbon filters (K606, 2 pieces) must be installed to purify the air before returning it to the kitchen.



Figure 2: Exhaust (left) and Recirculation (right) ventilation modes.

5. OPERATING INSTRUCTIONS

The ECCO9005WM offers intuitive control via its TouchSelect sensor panel and a Smart WiFi application.

5.1 TouchSelect Control Panel

The touch control panel allows you to adjust fan speeds, activate lighting, and set the automatic shut-off timer. Refer to the detailed diagram in the printed manual for specific button functions.



Figure 3: TouchSelect control panel interaction.

5.2 Fan Speed Adjustment

The range hood features 9 fan speeds to effectively remove cooking odors and steam. Select the appropriate speed based on your cooking needs.

Smart App
Bild nur zu Darstellungszwecken der Smart App.
Kein Mobilgerät oder Fernbedienung im Liferumfang enthalten.

Kohlefilter Austausch
Metallfilter reinigen
LED Licht
RGBW Licht
On/Off
Licht
Timer
Setting

Available on the **App Store**
GET IT ON **Google Play**

Powered by **tuya**
Intelligence Inside

Figure 4: High-performance fan with 9 speed levels.

5.3 Lighting Functions

The hood includes standard LED lighting for illuminating your cooking area and RGBW ambient lighting for customizable kitchen aesthetics. Use the controls to switch between lighting modes and colors.



Ambiente-Beleuchtung

Lassen Sie Ihre Küche in Ihren Lieblingsfarben erstrahlen



Figure 5: RGBW ambient lighting options.



Figure 6: Standard LED lighting for the cooking area.

5.4 Smart WiFi App Control

Control your range hood remotely using the dedicated Smart WiFi application. Download the app from the App Store or Google Play. The app allows for comprehensive control over fan speeds, lighting, and timer functions.



Figure 7: Smart App interface for remote control.

5.5 Automatic Shut-off Timer

The automatic shut-off timer (Nachlaufautomatik) allows the range hood to continue operating for a preset duration after cooking, ensuring complete removal of residual odors, then switches off automatically.



Figure 8: Automatic shut-off timer function.

6. MAINTENANCE

Regular maintenance ensures optimal performance and longevity of your range hood.

6.1 Cleaning the Metal Grease Filters

The metal grease filters should be cleaned regularly (approximately every 2-4 weeks, depending on usage) to prevent grease buildup and maintain extraction efficiency. They can be washed by hand or in a dishwasher.

1. To remove, push the release latch and pull the filter downwards.
2. Clean with hot soapy water or in a dishwasher.
3. Allow to dry completely before reinserting.



Figure 9: Metal grease filter.

6.2 Replacing Activated Carbon Filters (Recirculation Mode Only)

If your range hood operates in recirculation mode, the activated carbon filters (K606) must be replaced approximately every 3-6 months, depending on usage. These filters cannot be washed or regenerated.

1. Remove the metal grease filters.
2. Twist and remove the old carbon filters from their housing.
3. Insert new carbon filters and twist to secure.
4. Reinstall the metal grease filters.



Figure 10: Activated carbon filters for recirculation.

6.3 Exterior Cleaning

Clean the exterior surfaces of the range hood with a soft cloth and a mild, non-abrasive cleaning agent. Avoid using harsh chemicals or abrasive pads that could damage the white glass or stainless steel finish.

7. TROUBLESHOOTING

Before contacting customer service, please check the following common issues:

Problem	Possible Cause	Solution
Range hood does not turn on	No power supply; Power cable disconnected; Fuse tripped.	Check power connection; Check household fuse box.
Low extraction power	Grease filters are dirty; Incorrect fan speed selected; Obstruction in exhaust duct.	Clean grease filters; Increase fan speed; Check for duct obstructions.
Excessive noise	Loose components; Improper installation; Obstruction in fan.	Check all screws and connections; Ensure correct installation; Remove any obstructions.
Lights not working	LED bulb failure; Electrical connection issue.	Contact customer service for LED replacement; Check power supply.
Smart App not connecting	WiFi signal weak; Incorrect app settings; Router issues.	Ensure strong WiFi signal; Reconfigure app settings; Restart router.

If the problem persists after checking these points, please contact KKT KOLBE customer support.

8. SPECIFICATIONS

Specification	Value
Brand	KKT KOLBE
Model Number	ECCO9005WM
Dimensions (D x W x H)	38.6P x 90I x 75H centimeters
Color	Ecco Wm Blanc (White)
Material	Glass, Stainless Steel
Airflow Capacity	782 Cubic meters per hour
Noise Level	65 Decibels
Number of Speeds	9
Control Type	Touch, App
Voltage	240 Volts
Wattage	129 Watts
Light Source Type	LED
Filter Type	Metal grease filter, Activated carbon filter
Ventilation Type	Exhaust or Recirculation
Mounting Type	Wall Mount
Energy Star Certified	CE

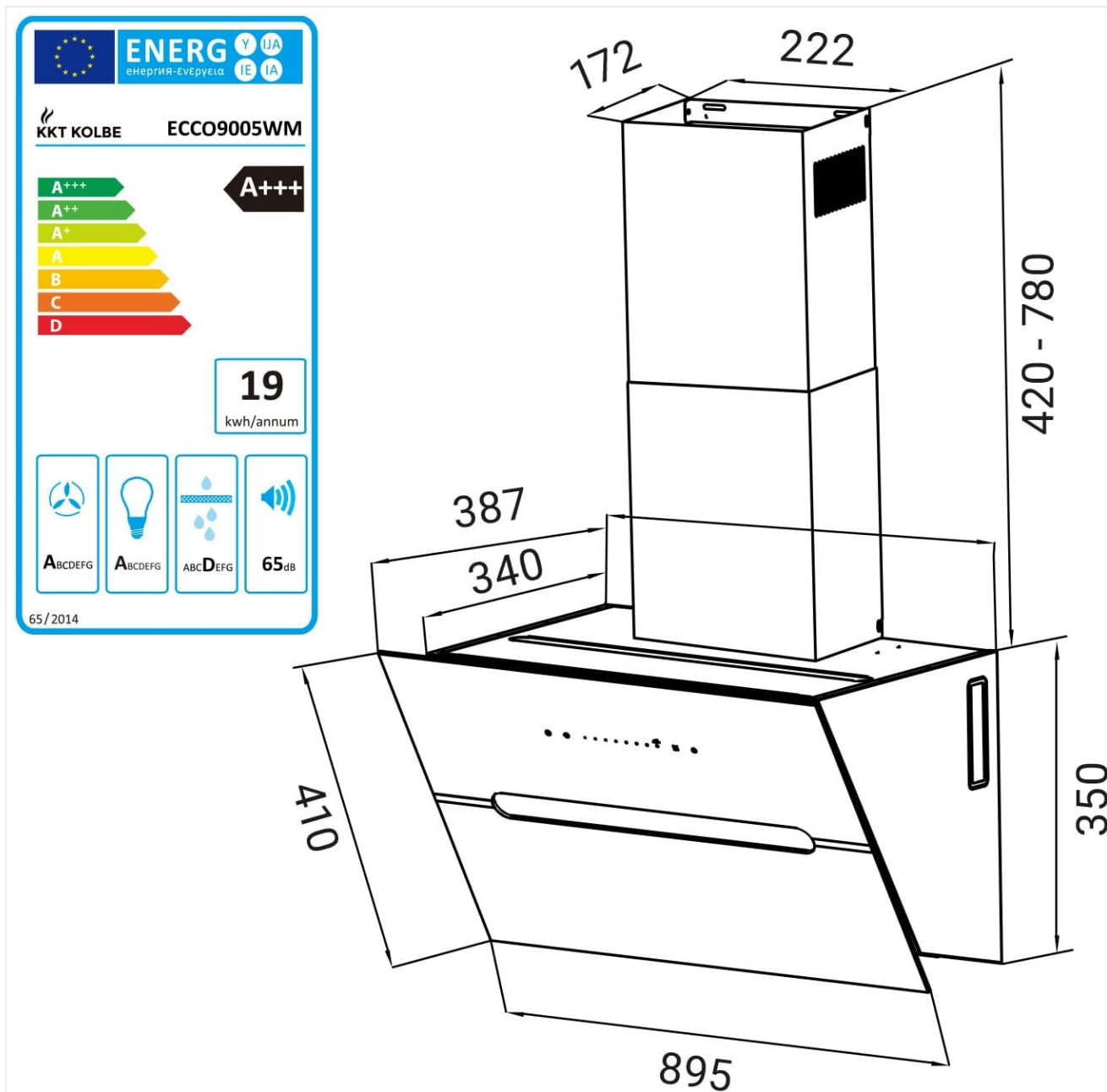


Figure 11: Product dimensions and energy label.

9. WHAT'S IN THE BOX

The following items are included with your KKT KOLBE ECCO9005WM range hood:

- KKT KOLBE ECCO9005WM Range Hood
- Exhaust pipe
- Metal grease filters (2 pieces)
- Activated carbon filters K606 (2 pieces)
- LED lighting (pre-installed)
- Connection cable and plug
- Height-adjustable telescopic tube
- Exhaust duct Ø 150 mm
- Non-return flaps (2 pieces)
- Mounting material
- User Manual

10. WARRANTY AND SUPPORT

KKT KOLBE products come with a manufacturer's warranty. For detailed warranty terms and conditions, please refer to the warranty card included with your product or visit the official KKT KOLBE website. For technical support, spare parts, or service inquiries, please contact KKT KOLBE customer service directly.

KKT KOLBE Customer Service: Please refer to the contact information provided in your purchase documentation or on the official KKT KOLBE website.

11. BRAND INTRODUCTION VIDEO

Watch this short video for an introduction to KKT KOLBE and our commitment to quality kitchen appliances.

Video 1: KKT KOLBE Brand Introduction. This is a short preview video introducing the brand.