

[Manuals.plus](#) /

> [VIVOHOME](#) /

> VIVOHOME Solar Lighting System User Manual

VIVOHOME VIVOHOME Solar Flood Lights and Linkable Solar Lights

VIVOHOME Solar Lighting System User Manual

Models: 256 LED 2500LM Solar Flood Lights (3-Pack) & Linkable 2500LM Solar Wall Lights (6-Pack)

1. PRODUCT OVERVIEW

This manual provides instructions for the VIVOHOME Solar Lighting System, which includes both 256 LED 2500LM Solar Flood Lights and Linkable 2500LM Solar Wall Lights. These solar-powered lighting solutions are designed to illuminate outdoor spaces efficiently and enhance security with motion-sensing capabilities and durable, weather-resistant construction.



Figure 1: VIVOHOME Solar Flood Lights (left) and Linkable Solar Wall Lights (right).

2. PRODUCT COMPONENTS

2.1. Solar Flood Lights (3-Pack)

- Main Light Unit with 3 Adjustable Heads
- Integrated Solar Panel
- Motion Sensor
- Mounting Hardware (screws, anchors)



Figure 2: Components of the VIVOHOME Solar Flood Lights.

2.2. Linkable Solar Wall Lights (6-Pack)

- Main Light Unit with Diffuser

- Integrated Solar Panel
- Motion Sensor
- Mounting Hardware (screws, anchors)



Figure 3: Components of the VIVOHOME Linkable Solar Wall Lights.

3. SETUP AND INSTALLATION

Proper installation ensures optimal performance of your solar lights. Follow these steps for setup:

1. **Choose Location:** Select an outdoor location that receives direct sunlight for at least 6-8 hours daily. Avoid areas under eaves, trees, or shadows, as this will reduce charging efficiency.
2. **Mounting Surface:** Ensure the mounting surface (wall, fence, post) is stable and can support the weight of the light fixture.
3. **Mark Drill Holes:** Use the light fixture as a template to mark the positions for drilling holes.
4. **Drill Holes:** Drill holes at the marked positions. Insert wall anchors if installing into masonry or drywall.
5. **Secure Light:** Align the light fixture with the drilled holes and secure it using the provided screws.
6. **Adjust Flood Lights (if applicable):** For the flood lights, adjust the three light heads to cover the desired illumination area.

High-Performance Solar Panel



8H
Auto Charging



12-24H
Auto Lighting

22% Energy Conversion

Figure 4: The solar panel requires direct sunlight for efficient charging (8 hours for full charge).

4. OPERATING INSTRUCTIONS

Your VIVOHOME solar lights are designed for automatic operation. They charge during the day and activate at night based on motion detection.

4.1. Automatic Operation

- The integrated solar panel charges the internal battery during daylight hours.
- At dusk, the lights will enter a standby mode.
- Upon detection of motion, the lights will illuminate at full brightness.
- After a period of no motion, the lights will return to standby mode or turn off, depending on the specific model's programming.

4.2. Motion Sensor Functionality

Both the flood lights and wall lights are equipped with high-efficiency infrared motion sensors.

- **Flood Lights:** Detect motion within a 120° range up to 26 ft. The three adjustable heads provide up to 270° wide coverage.
- **Wall Lights:** Offer up to 32 ft of motion detection and a 120° wide-angle coverage.



Figure 5: Motion sensor detection range (120° and 26ft) and lighting angle (270°) for flood lights.

Clear Vision, All Night Long



Figure 6: Motion sensor detection angle (120°), illumination angle (180°), and sensing distance (32ft) for wall lights.

4.3. Brightness and Illumination

- Both light types deliver 2500 lumens of cool white light (6500K color temperature).
- The flood lights are equipped with 256 ultra-bright LED beads.
- The wall lights feature a ripple-patterned diffuser to maximize light scattering and provide glare-free illumination.

Ultra-Bright Lighting

Brightness
2500LM

Color Temperature
6500K



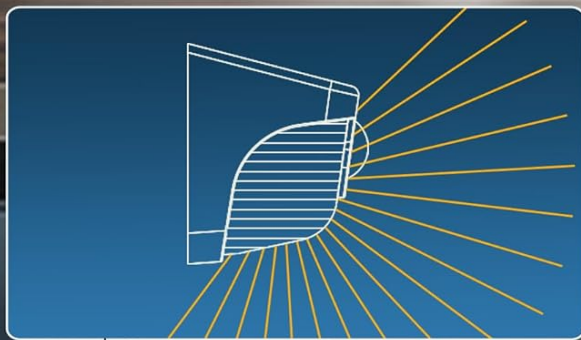
2566

LED Beads

83 Beads / 90 Beads / 83 Beads

Figure 7: Brightness and LED count for the flood lights.

Boosts diffusion for wider illumination



Ripple-Patterned Diffuser

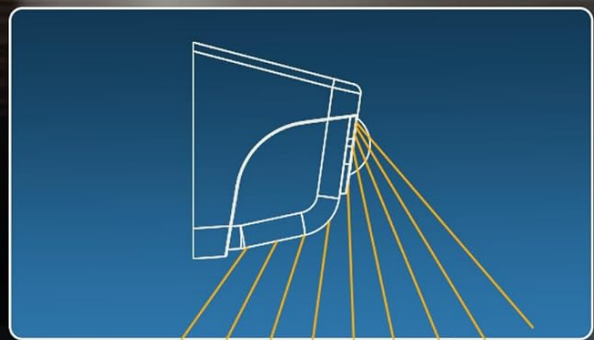


Figure 8: The ripple-patterned diffuser on the wall lights enhances light diffusion.

4.4. Linked Lighting (Wall Lights Only)

The VIVOHOME Linkable Solar Wall Lights feature a unique linking capability:

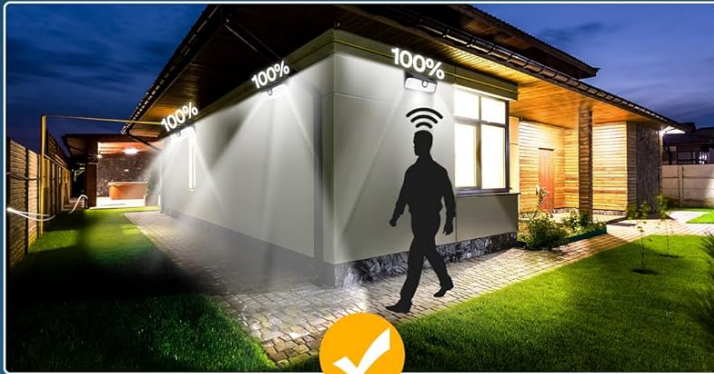
- When two or more wall lights are within 130 ft of each other, they will automatically sync.
- If one linked light detects motion and illuminates, all other linked lights will also illuminate in the same mode.
- This feature does not require Wi-Fi or Bluetooth connection.

One Trigger, All Linked Lights On!

Linkable Lights

VS

Normal Lights



Corner Link



Long Distance Link



Figure 9: Linked lights illuminate simultaneously when one unit detects motion.

4.5. Smart Zoned Control (Wall Lights Only)

The wall lights support A/B mode grouping for independent zone control:

- This feature allows you to group lights into different zones (A or B) that operate independently.
- For example, lights in your front yard can be set to 'A' mode, and backyard lights to 'B' mode. When motion is detected in zone 'A', only 'A' group lights will activate, leaving 'B' group lights undisturbed.
- Refer to the product packaging or specific light unit for instructions on setting A/B modes.

5. MAINTENANCE

To ensure the longevity and optimal performance of your VIVOHOME solar lights, follow these simple maintenance guidelines:

- **Clean Solar Panel:** Periodically wipe the solar panel with a soft, damp cloth to remove dust, dirt, leaves, or snow. A

clean panel ensures maximum sunlight absorption and charging efficiency.

- **Check Mounting:** Regularly inspect the mounting screws and brackets to ensure the lights remain securely attached to their surface. Tighten any loose screws.
- **Clear Obstructions:** Ensure no new obstructions (e.g., growing branches, new structures) are blocking direct sunlight from reaching the solar panel or interfering with the motion sensor's detection range.
- **Battery Care:** While the batteries are integrated, allowing the lights to fully charge in direct sunlight before first use and after extended periods of low light will help maintain battery health.

6. TROUBLESHOOTING

If your VIVOHOME solar lights are not functioning as expected, consider the following common issues and solutions:

Problem	Possible Cause	Solution
Light does not turn on at night.	Insufficient solar charge.	Ensure the solar panel receives 6-8 hours of direct sunlight daily. Clean the solar panel.
Light is dim or flickers.	Low battery charge or dirty solar panel.	Allow several sunny days for full charge. Clean the solar panel.
Motion sensor not detecting.	Sensor obstructed or outside detection range.	Clear any obstructions. Ensure motion occurs within the specified detection range (26ft/32ft).
Linked wall lights not syncing.	Lights are too far apart or interference.	Ensure lights are within 130 ft of each other. Minimize physical obstructions between units.
Lights turn on during the day.	Light sensor is obstructed or in a dark area.	Relocate the light to an area with sufficient ambient light during the day. Ensure no debris covers the light sensor.

7. SPECIFICATIONS

Feature	Description
Brand	VIVOHOME
Model (Flood Lights)	256 LED 2500LM Solar Flood Lights (3-Pack)
Model (Wall Lights)	Linkable 2500LM Solar Wall Lights (6-Pack)
Light Source	256 LED beads (Flood Lights)
Brightness	2500 Lumens
Color Temperature	6500K (Cool White)
Motion Sensor Range (Flood)	120° detection, up to 26 ft
Lighting Angle (Flood)	Up to 270° wide coverage
Motion Sensor Range (Wall)	120° detection, up to 32 ft
Illumination Angle (Wall)	180°
Waterproof Rating	IP65

Feature	Description
Solar Charging Time	Approx. 8 hours direct sunlight
Auto Lighting Duration	12-24 hours (after full charge)
Energy Conversion Rate	22% (High-Performance Solar Panel)
Linked Lighting Range (Wall)	Up to 130 ft between units
ASIN	B0F5WDB9S4

8. SAFETY INFORMATION

Please read and adhere to the following safety precautions:

- Do not disassemble or modify the product. Unauthorized modifications may cause damage or injury and void the warranty.
- Keep the product away from fire and extreme heat sources.
- Ensure the light is securely mounted to prevent it from falling and causing injury or damage.
- Do not stare directly into the illuminated light source, as it may cause temporary vision impairment.
- Dispose of the product and its components responsibly according to local regulations at the end of its lifespan.

9. WARRANTY AND SUPPORT

For warranty information, technical support, or any inquiries regarding your VIVOHOME Solar Lighting System, please contact VIVOHOME customer service directly. Refer to the product packaging or the VIVOHOME official website for contact details.

VIVOHOME Official Website: [Visit VIVOHOME Store on Amazon](#)

