

Shuisen TBB01C

Shuisen Clear Acrylic Shower Door Towel Bar Brackets Instruction Manual

Model: TBB01C

1. INTRODUCTION

This manual provides detailed instructions for the installation, maintenance, and general use of the Shuisen Clear Acrylic Shower Door Towel Bar Brackets. These brackets are designed as replacement parts for specific framed sliding glass shower doors.

2. COMPATIBILITY

The Shuisen Shower Door Towel Bar Brackets are specifically designed to fit:

- Alumax shower doors
- Basco shower doors
- Framed sliding shower doors
- Framed tub enclosure doors towel bars

Applicable Shower Door

Clear Acrylic Shower Door Towel Bar Brackets
fit for **Alumax & Basco Shower Door**,
fit for **Framed Sliding Shower Door**,
fit for **Framed Tub Enclosure Doors Towel Bar**.



Figure 2.1: The brackets are compatible with framed sliding shower doors, such as those from Alumax and Basco.

3. PACKAGE CONTENTS

Each package includes the following components:

- 2 x Clear Acrylic Brackets
- 2 x Bright Chrome Metal Sleeves
- 2 x Screws

Note: The towel bar itself is not included with this package.

Package Include

Towel Bar Brackets with Bright Chrome Sleeve **Include**

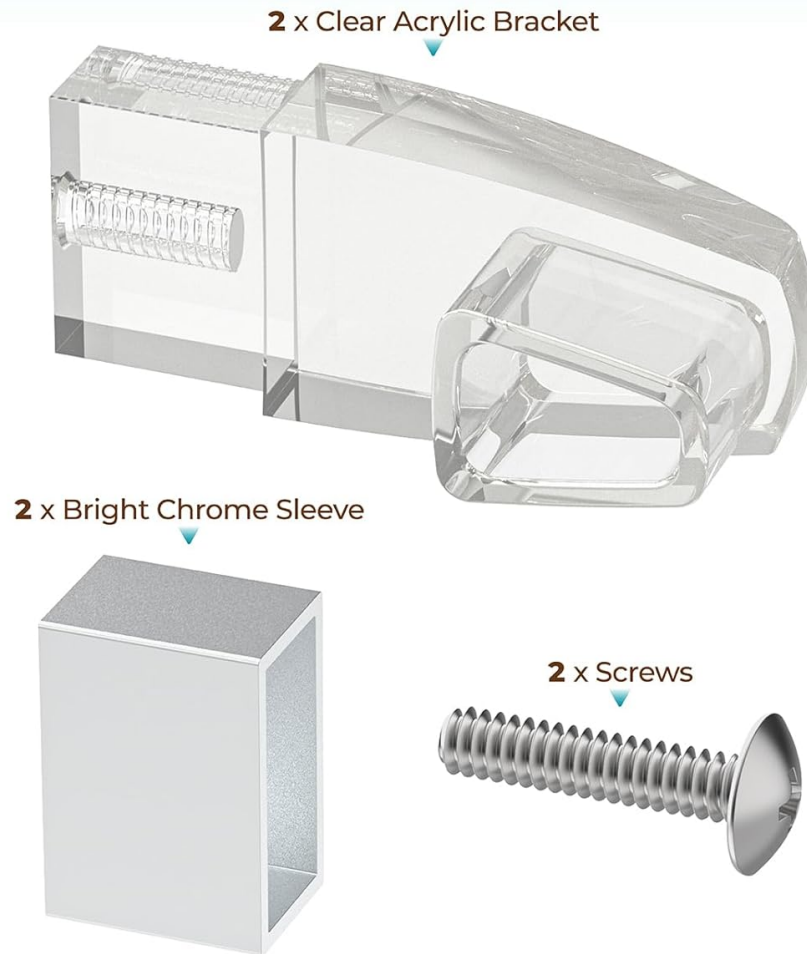


Figure 3.1: All components included in the package.

4. MATERIALS AND DESIGN

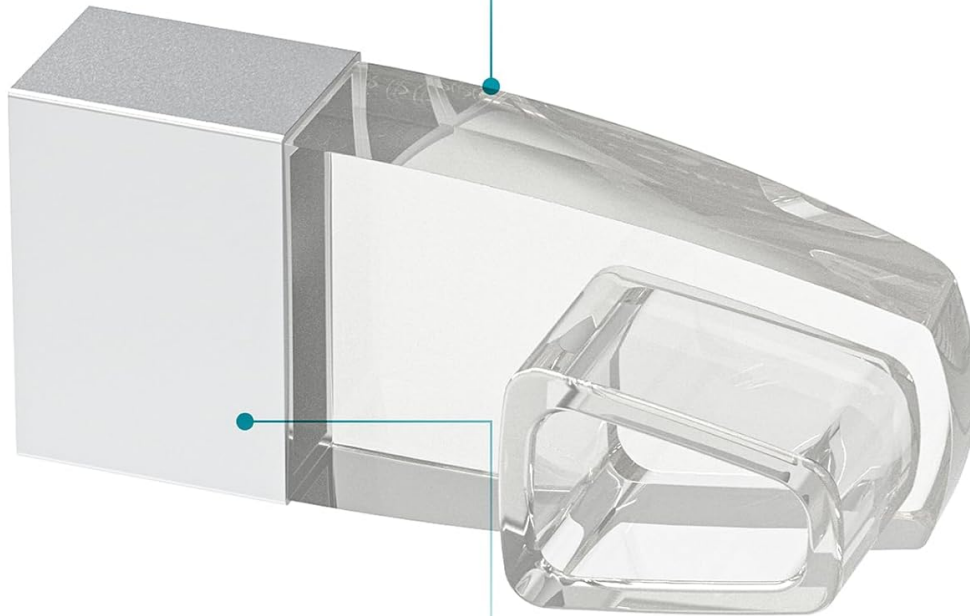
The towel bar brackets are constructed from high-quality materials to ensure durability and a modern aesthetic:

- **Clear Acrylic Brackets:** Crafted from upgraded high-density composite acrylic, these brackets offer superior strength, high impact resistance, and long-term durability. The clear design provides a sleek, modern look.
- **Bright Chrome Sleeves:** The metal sleeves feature a bright chrome finish, adding an elegant touch and securely fixing the components.

Upgrade Materials

Clear Acrylic Towel Bar Brackets

High Density Composite Acrylic Material
High Impact Higher Strength and Durability
Modern and Sleek Look



Bright Chrome Sleeve

Sturdy and Long Lasting Securely Fixed
Add a Touch of Elegance

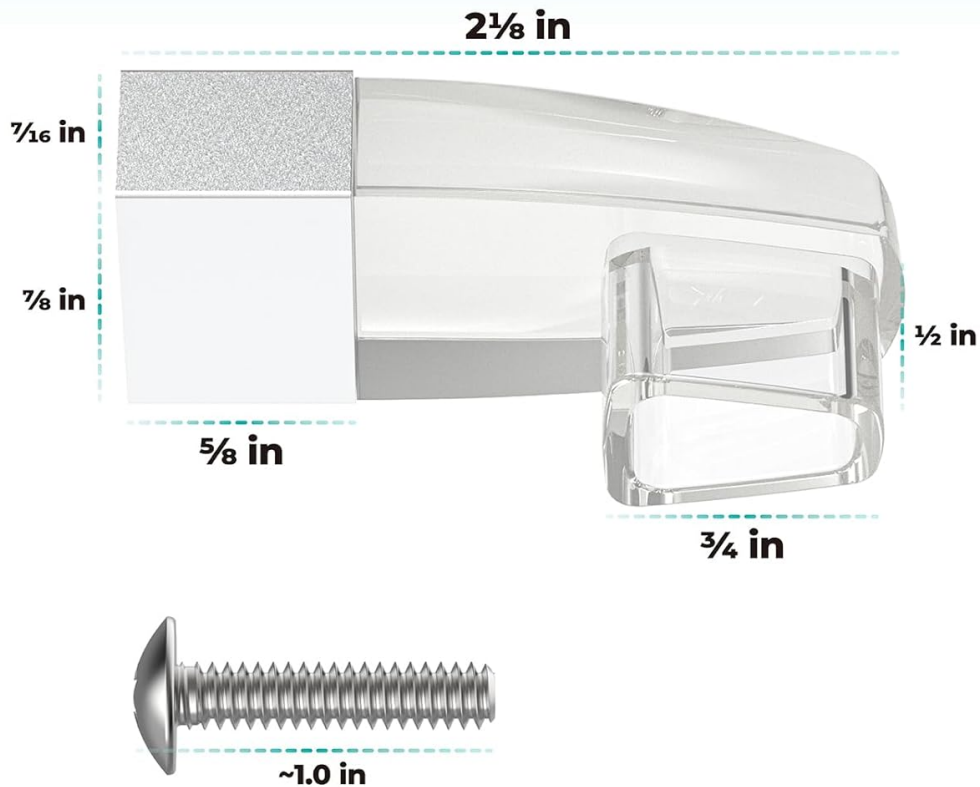
Figure 4.1: Detailed view of the clear acrylic bracket and bright chrome sleeve materials.

5. PRODUCT SPECIFICATIONS

Key dimensions and specifications for the Shuisen Shower Door Towel Bar Brackets:

- **Bracket Length:** Approximately 2-1/8 inches
- **Bracket Width:** Approximately 7/8 inches
- **Bracket Thickness:** Approximately 7/16 inches
- **Screw Length:** Approximately 1 inch
- **Overall Product Dimensions (per bracket):** 3 x 2 x 0.5 inches
- **Item Weight (per set):** 1.13 ounces (0.03 Kilograms)
- **Mounting Type:** Wall Mount (for shower door frame)
- **Model Number:** TBB01C

Product Size



Towel Bar Brackets with Bright Chrome Sleeve
Length: **2-1/8 inches**; Width: **7/8 inches**; Thickness: **7/16 inches**
Screw Length: **~1 inch**.

Figure 5.1: Detailed dimensions of the towel bar brackets and screws.

6. INSTALLATION INSTRUCTIONS

The shower door towel bar brackets are designed for easy installation. Follow these steps to replace or install your towel bar brackets:

1. **Prepare the Mounting Area:** Ensure the area on your shower door frame where the brackets will be installed is clean and dry.
2. **Position the Screw:** Insert one of the provided screws into the pre-drilled hole on your shower door frame. Do not tighten fully yet.
3. **Attach the Bright Chrome Sleeve:** Slide a bright chrome metal sleeve over the screw, ensuring it sits flush against the shower door frame.
4. **Attach the Clear Acrylic Bracket:** Align the clear acrylic bracket with the screw and the chrome sleeve. The bracket is designed to fit over the sleeve and secure the towel bar.
5. **Secure the Towel Bar:** Once both brackets are in place, insert your existing towel bar into the openings of the acrylic brackets.
6. **Tighten Screws:** Carefully tighten the screws until the brackets and towel bar are securely fastened to

the shower door frame. Avoid over-tightening to prevent damage to the acrylic.

Installation Instructions

The Shower Door Towel Bar Brackets are Easy to Install.

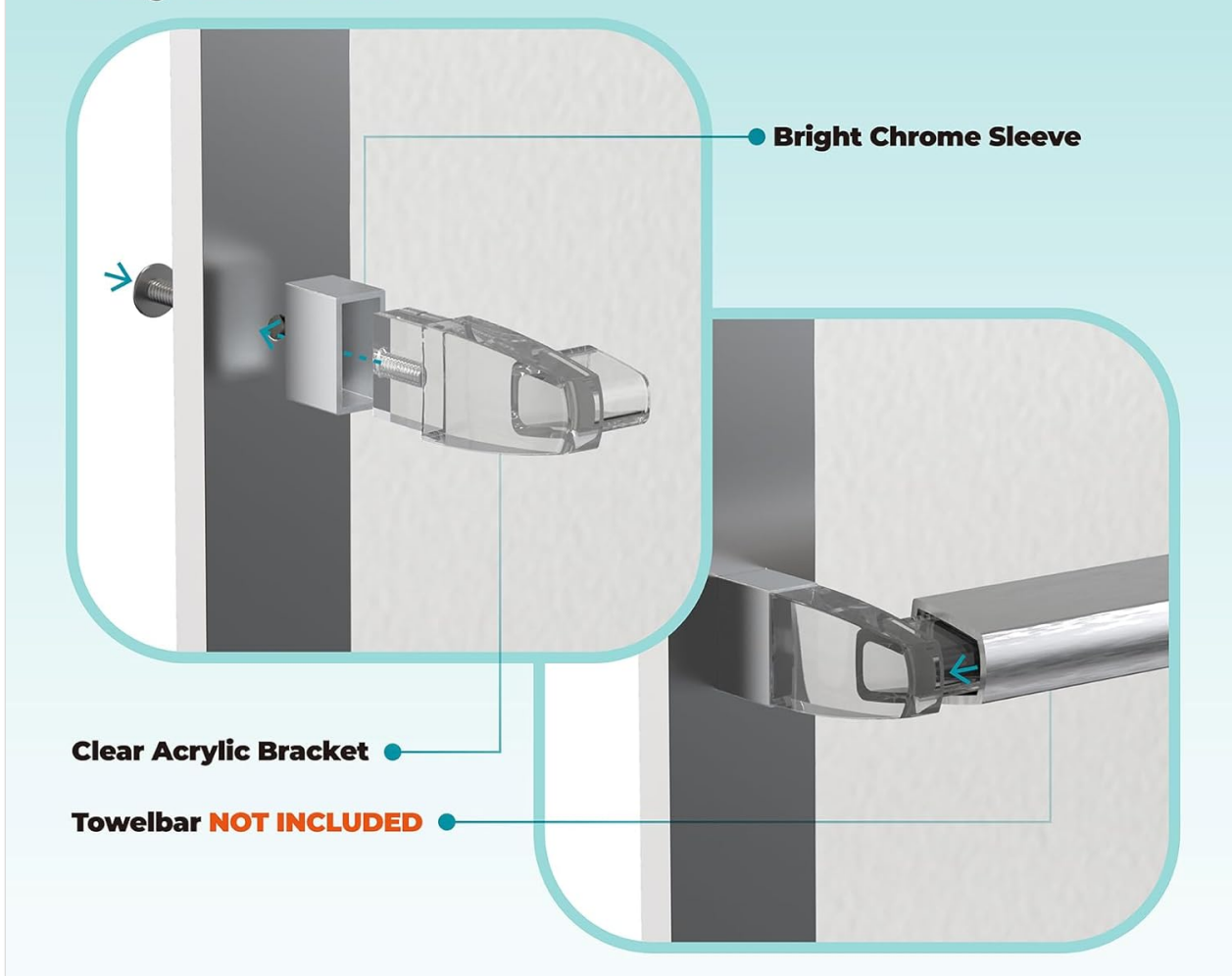


Figure 6.1: Visual guide for installing the towel bar brackets.

7. MAINTENANCE

To ensure the longevity and appearance of your Shuisen Shower Door Towel Bar Brackets, follow these maintenance guidelines:

- **Cleaning:** Clean the acrylic brackets and chrome sleeves with a soft cloth and mild soap and water. Avoid abrasive cleaners, harsh chemicals, or scouring pads, as these can scratch the acrylic or damage the chrome finish.
- **Regular Inspection:** Periodically check the tightness of the mounting screws. If any screws feel loose, gently tighten them to ensure the towel bar remains secure.
- **Avoid Impact:** While the acrylic is high-density, avoid strong impacts or excessive force on the towel bar, as this could potentially damage the brackets.

8. TROUBLESHOOTING

If you encounter any issues with your towel bar brackets, consider the following common solutions:

- **Towel Bar Feels Loose:** Ensure all mounting screws are tightened securely. If the issue persists, check if the towel bar itself is compatible and fits snugly within the brackets.
- **Difficulty Installing:** Verify that the brackets are correctly oriented and that the screws are aligned with the pre-drilled holes in your shower door frame. Refer to the installation instructions and Figure 6.1.
- **Bracket Damage:** If a bracket is cracked or broken, it may need replacement. Contact customer support for assistance.

9. CUSTOMER SUPPORT

For any questions regarding the size, material, installation, or other aspects of the Shuisen Clear Acrylic Shower Door Towel Bar Brackets, please do not hesitate to contact our customer service team. We are committed to providing excellent service and will respond to your inquiries within 24 hours.

Please refer to your purchase documentation or the retailer's website for specific contact information.