

[Manuals.plus](#) /

> [FAVSH](#) /

> FAVSH Casual Folding Rocking Chair (Model: Rocking Accent) User Manual

## FAVSH Rocking Accent

# FAVSH Casual Folding Rocking Chair (Model: Rocking Accent) User Manual

Comprehensive instructions for assembly, operation, and maintenance.

## INTRODUCTION

---

Thank you for choosing the FAVSH Casual Folding Rocking Chair, Model Rocking Accent. This manual provides essential information for the safe and efficient use of your new chair. Please read these instructions carefully before assembly and operation, and retain them for future reference.

This upholstered rocking chair is designed for indoor use, offering a comfortable and adjustable seating experience. Key features include a soft velvet upholstery, a high back, an adjustable backrest and footrest, and a convenient folding design for space-saving storage.



Image: The FAVSH Casual Folding Rocking Chair in an orange velvet finish, positioned in a modern living space with a wooden floor and large window.

## IMPORTANT SAFETY INFORMATION

- **MAXIMUM USER WEIGHT: 300 lbs.** Do not exceed this weight limit to prevent damage to the chair and potential injury.
- Ensure the chair is placed on a flat, stable surface before use.
- Always supervise children when they are near or using the rocking chair.
- Keep fingers and clothing clear of moving parts during adjustment to avoid pinching.
- Do not stand on the chair or use it as a step stool.
- Regularly inspect all bolts and connections to ensure they are tight and secure.

## PACKAGE CONTENTS

Please check the package carefully to ensure all components are present and undamaged. If any parts are missing or damaged, please contact customer support immediately.

- Main Chair Frame (partially pre-assembled)

- Upholstered Seat and Back Cushion
- Assembly Hardware (screws, Allen wrench - if required)
- Instruction Manual (this document)

## ASSEMBLY AND SETUP

---

The FAVSH Casual Folding Rocking Chair is designed for straightforward assembly by one person.

1. **Unpack Components:** Carefully remove all parts from the packaging and lay them out on a clean, soft surface to prevent scratches.
2. **Unfold Frame:** Gently unfold the main chair frame until it locks into its open position. Ensure all locking mechanisms are securely engaged.
3. **Attach Cushion:** Place the upholstered seat and back cushion onto the frame. Secure it using any provided straps, buckles, or attachment points. Ensure the cushion is properly aligned and firmly attached.
4. **Final Check:** Before first use, verify that all connections are tight and the chair is stable.



Image: Front view of the FAVSH Casual Folding Rocking Chair, showcasing its upholstered design and sturdy frame.



Image: Side view of the FAVSH Casual Folding Rocking Chair, highlighting its profile and rocking base.



Image: Back view of the FAVSH Casual Folding Rocking Chair, showing the rear of the high backrest and frame.

## OPERATION

### Adjusting the Backrest and Footrest

This rocking chair features a 5-gear adjustable backrest and footrest, allowing you to find your preferred reclining position.

1. **To Adjust:** While seated, gently lean back or forward to release the locking mechanism for the backrest. For the footrest, apply slight pressure to adjust its angle.
2. **Select Position:** Move the backrest and footrest to one of the five available positions. Ensure it clicks securely into place before fully relaxing.
3. **Folding for Storage:** To fold the chair, release the backrest and footrest to their most upright/downward positions, then follow the reverse steps of unfolding the frame. This allows for compact storage.



Image: Diagram illustrating the five adjustable positions for the backrest and footrest of the rocking chair.

## Rocking Motion

The chair provides a gentle rocking motion, moving back and forth within a 20-degree range. This motion is designed to be smooth and stable, suitable for relaxation without causing dizziness.

## MAINTENANCE AND CARE

- **Cleaning Upholstery:** For general cleaning, gently vacuum the velvet fabric to remove dust and debris. For spills, blot immediately with a clean, dry cloth. For stubborn stains, use a mild fabric cleaner specifically designed for velvet, testing on an inconspicuous area first. Do not saturate the fabric.
- **Frame Care:** Wipe the metal frame with a soft, damp cloth. Avoid abrasive cleaners or harsh chemicals that could damage the finish.
- **Regular Inspection:** Periodically check all screws, bolts, and connections to ensure they remain tight. Tighten any loose hardware as needed.
- **Storage:** When not in use for extended periods, fold the chair and store it in a dry, cool place away from direct sunlight and extreme temperatures.

## TROUBLESHOOTING

<b>Problem</b>	<b>Possible Cause</b>	<b>Solution</b>
Chair feels unstable or wobbly.	Loose assembly hardware. Uneven floor surface.	Ensure all screws and bolts are tightened securely. Move the chair to a flat, even surface.
Backrest/Footrest not adjusting smoothly.	Mechanism obstruction. Incorrect adjustment technique.	Check for any obstructions in the adjustment mechanism. Refer to the "Adjusting the Backrest and Footrest" section for proper operation.
Missing or damaged parts upon arrival.	Shipping damage or packaging error.	Do not attempt to assemble. Contact FAVSH customer support immediately for assistance and replacement parts.

## PRODUCT SPECIFICATIONS

<b>Brand:</b>	FAVSH
<b>Model Name:</b>	Rocking Accent
<b>Color:</b>	Orange
<b>Product Dimensions (D x W x H):</b>	42.2" x 23.3" x 34.7"
<b>Back Style:</b>	High Back
<b>Maximum Weight Recommendation:</b>	300 Pounds
<b>Style:</b>	Modern
<b>Age Range (Description):</b>	Adult
<b>Included Components:</b>	Cushion
<b>Fill Material:</b>	Sponge
<b>Reclining Position Count:</b>	5
<b>Item Weight:</b>	23.2 pounds
<b>UPC:</b>	045791438922

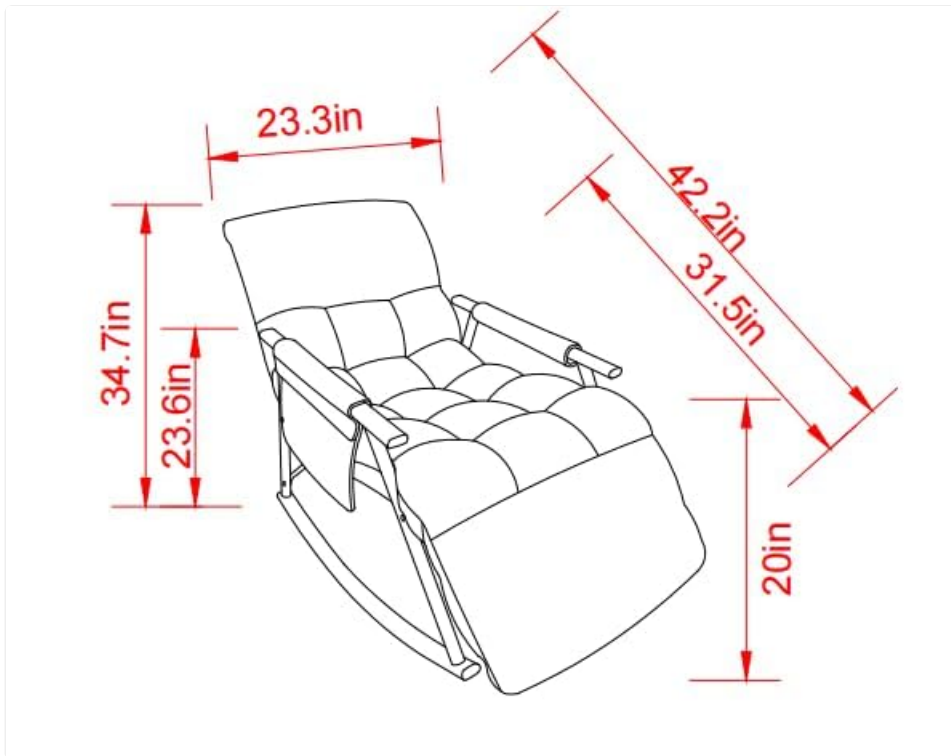


Image: Technical diagram showing the detailed dimensions of the rocking chair, including height, width, and depth measurements.

## WARRANTY AND CUSTOMER SUPPORT

Specific warranty information for the FAVSH Casual Folding Rocking Chair is not detailed in this manual. For warranty claims, technical assistance, or any questions regarding your product, please contact FAVSH customer support directly.

Please have your model name (Rocking Accent) and UPC (045791438922) available when contacting support to expedite assistance.