



Manuals.plus /

› Samsung /

› Samsung HW-Q800F Q Series Soundbar 5.1.2 Ch Subwoofer Instruction Manual

## Samsung HW-Q800F/ZA

# Samsung HW-Q800F Q Series Soundbar 5.1.2 Ch Subwoofer Instruction Manual

Model: HW-Q800F/ZA

## INTRODUCTION

---

The Samsung HW-Q800F Q Series Soundbar with 5.1.2 channels and a subwoofer delivers an immersive audio experience. Featuring True 5.1.2Ch Sound, Wireless Dolby Atmos, Q-Symphony integration with Samsung TVs, and SpaceFit Sound Pro Plus for automatic sound calibration, this system is designed to enhance your home entertainment. This manual provides essential information for setting up, operating, and maintaining your soundbar system.



Image: The Samsung HW-Q800F Soundbar system, including the soundbar, wireless subwoofer, remote control, and a visual representation of the Amber Protection Plan.

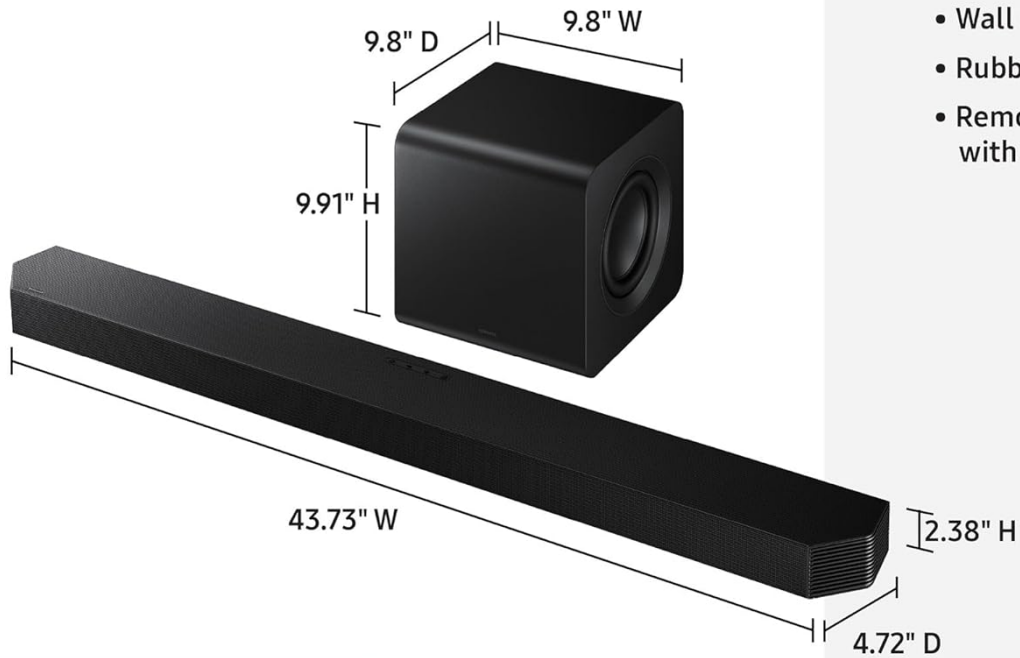
## WHAT'S IN THE BOX

---

Carefully unpack your soundbar system and ensure all components are present:

- Soundbar
- Subwoofer
- HDMI Cable
- Wall Mount Kit
- Rubber Foot
- Remote Controller with batteries

## Model: HW-Q800F



### Dimensions:

(INCHES W x H x D):

- Soundbar: 43.73 x 2.38 x 4.72
- Subwoofer: 9.8 x 9.91 x 9.8

### What's in the box:

- Soundbar
- Subwoofer
- HDMI Cable
- Wall Mount Kit
- Rubber Foot
- Remote Controller with batteries



Features and specifications subject to change.

Image: A visual representation of the soundbar, subwoofer, and remote control, alongside a list of included accessories and product dimensions.

## SETUP

### Physical Placement

For optimal sound performance, place the soundbar centrally below your television. The wireless subwoofer can be placed anywhere in the room, ideally near a wall or corner for enhanced bass. Ensure both units have access to a power outlet.



Image: The Samsung soundbar positioned in front of a television, with the wireless subwoofer placed to the side.

## Connections

1. **Power Connection:** Connect the power cables to the soundbar and subwoofer, then plug them into a wall outlet.
2. **HDMI (ARC/eARC) Connection:** For the best audio quality and control, connect an HDMI cable from the soundbar's HDMI ARC/eARC port to your TV's HDMI ARC/eARC port.
3. **Bluetooth Connection:** For wireless audio from compatible devices (TV, smartphone, laptop), enable Bluetooth on your device and select the Samsung soundbar from the available devices. The soundbar will automatically connect when powered on after initial pairing.

## Initial Power On

Once connected, power on the soundbar using the remote control or the power button on the unit. The display will show 'HELLO' and then 'BT READY' or the current input. The subwoofer will automatically pair with the soundbar.

## OPERATING

---

### Remote Control Functions

The included remote control provides full command over your soundbar system. It allows you to:

- Power On/Off
- Adjust Master Volume
- Control Subwoofer Volume independently
- Change Sound Modes (e.g., Game Mode Pro, Standard, Surround, Adaptive Sound)
- Select Input Source (HDMI, Bluetooth, Wi-Fi)
- Access Settings for channel levels and other audio adjustments

### Sound Features

- **True 5.1.2Ch Sound:** Experience multi-dimensional audio with dedicated side and up-firing speakers, creating a truly immersive soundstage.

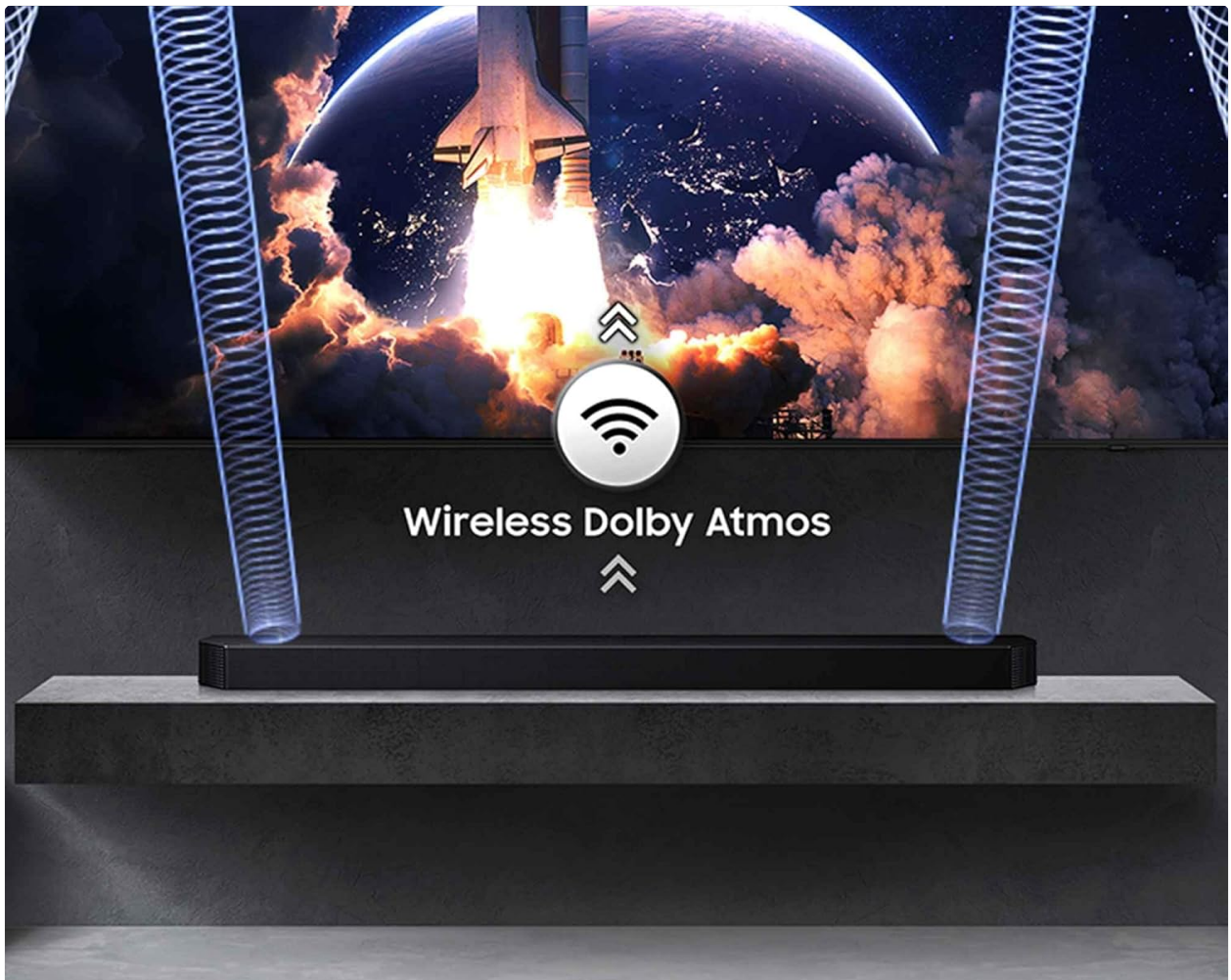


## True 5.1.2ch Sound

Next-level surround sound pouring from all around you

Image: A visual diagram showing sound waves emanating from the soundbar and subwoofer, illustrating the True 5.1.2ch surround sound experience.

- **Wireless Dolby Atmos:** Enjoy the ultimate 3D sound experience with Dolby Atmos, providing overhead and surround sound effects without the need for additional cables.



## Wireless Dolby Atmos

Experience the ultimate 3D-sound with Dolby Atmos  
— with or without a cable\*

\*Compatible with 2022-2025 Samsung TVs. Please refer to Samsung.com for more information.

Image: A diagram depicting sound waves moving upwards and outwards from the soundbar, representing the immersive effect of Wireless Dolby Atmos.

- **Q-Symphony:** When paired with a compatible Samsung TV, Q-Symphony allows the soundbar and TV speakers to operate simultaneously, creating a richer and more expansive sound.



## Q-Symphony

Samsung TV and soundbar speakers work together for a more robust, nuanced sound\*

\*Q-Symphony requires a compatible 2020-2025 Samsung TV. Please refer to [samsung.com](https://www.samsung.com) for more information.

Image: A diagram showing sound waves from both a Samsung TV and the soundbar working in harmony to create a more nuanced sound experience.

- **SpaceFit Sound Pro Plus:** This feature automatically analyzes your room's acoustics using embedded sensors and calibrates the sound and bass settings for optimal audio performance in any environment.
- **Active Voice Amplifier Pro:** Enhances dialogue clarity, ensuring voices are clear and distinct even during loud action scenes.

## MAINTENANCE

---

To ensure the longevity and optimal performance of your soundbar system, regular maintenance is recommended:

- Keep the soundbar and subwoofer free from dust using a soft, dry cloth.
- Avoid placing liquids or heavy objects on the units.
- Ensure proper ventilation around the soundbar and subwoofer to prevent overheating.
- For screen cleaning, use the provided Amber Protection HDTV Screen Cleaner Kit. This non-ammonia and alcohol-free solution cleans without dripping, streaking, or leaving residue, effectively removing dust, dirt, and fingerprints for optimum display brightness and clarity.



Image: The Amber Protection HDTV Screen Cleaner Kit, including a spray bottle of cleaning solution and a microfiber cloth.

## TROUBLESHOOTING

---

If you encounter issues with your soundbar, refer to the following common troubleshooting steps:

Problem	Solution
No Sound	Check power connections for both soundbar and subwoofer. Ensure correct input source is selected. Verify TV audio output settings (e.g., external speakers, PCM).
Subwoofer Not Connecting	Ensure subwoofer is powered on. Manually re-pair the subwoofer by pressing the ID SET button on the back of the subwoofer and then the UP button on the soundbar remote for 5 seconds.
Bluetooth Connection Issues	Ensure soundbar is in Bluetooth pairing mode. Delete the soundbar from your device's Bluetooth list and re-pair. Move devices closer to the soundbar.
Remote Control Not Working	Check batteries and replace if necessary. Ensure no obstructions between the remote and the soundbar.
Sound Distortion	Reduce volume. Check audio source quality. Adjust sound modes or equalizer settings.

## SPECIFICATIONS

---

Feature	Detail
Model Name	HW-Q800F/ZA
Speaker Type	Soundbar with Wireless Subwoofer
Surround Sound Channel Configuration	5.1.2 Ch
Audio Output Mode	Surround
Frequency Response	20 Hz
Connectivity Technology	Bluetooth, Wi-Fi, HDMI
Compatible Devices	Laptop, Television, Smartphone
Soundbar Dimensions (D x W x H)	4.72" x 43.73" x 2.38"
Subwoofer Dimensions (D x W x H)	9.8" x 9.8" x 9.91"
Item Weight	11.2 Pounds
Color	Black
Control Method	Remote Control
Power Source	AC

## WARRANTY AND SUPPORT

Your Samsung HW-Q800F Q Series Soundbar comes with a 1-year manufacturer's warranty. Additionally, this bundle includes an extra 1-year Amber Protection Plan, providing a total of 2 years of coverage for your product. This extended protection covers mechanical and electrical failures and includes power surge protection.

### Extended Protection Features & Benefits

- Mechanical & Electrical Failures
- Power Surge Protection
- Nationwide Network of Service Providers
- 24/7/365 Customer Support, and more.

#### When does the plan begin?

All plans begin from date of purchase and are inclusive of the manufacturer's limited coverage. Benefits such as Power Surge Protection and Mechanical & Electrical Failures (if purchased) begin on Day 1.

#### What items are eligible for extended protection?

Electronics with at least a 90 day manufacturer limited coverage in the United States.

### Covered Products

- Televisions
- Laptops
- Tablets
- Home Theater
- Headphones
- And More

Image: Details of the Extended Protection Plan, outlining features such as mechanical & electrical failures, power surge protection, nationwide network of service providers, and 24/7/365 customer support.

For technical support, warranty claims, or service inquiries, please refer to the contact information provided in your product's original packaging or visit the official Samsung support website.

