



[Manuals.plus](#) /

› [VEVOR](#) /

› VEVOR Overland Truck Bed Rack Instruction Manual - Model 1102

VEVOR 1102

VEVOR Overland Truck Bed Rack Instruction Manual

Model: 1102

1. INTRODUCTION

This manual provides comprehensive instructions for the assembly, installation, operation, and maintenance of your VEVOR Overland Truck Bed Rack, Model 1102. Please read this manual thoroughly before installation and use to ensure proper function and safety. Retain this manual for future reference.

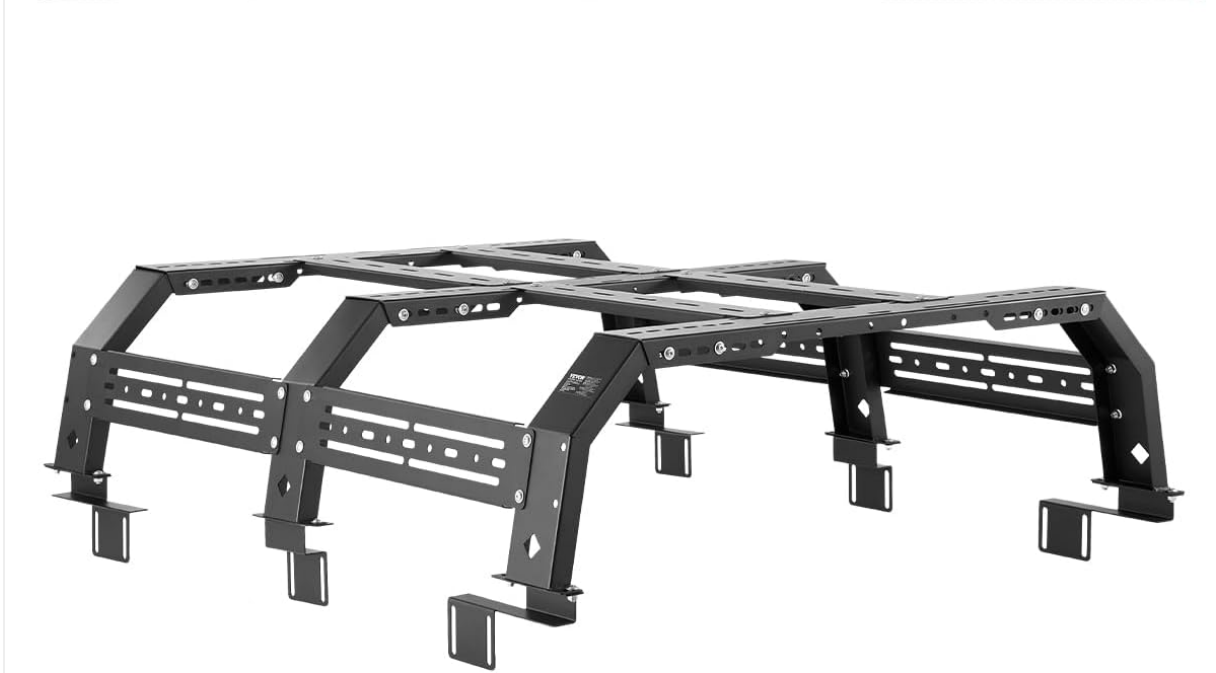


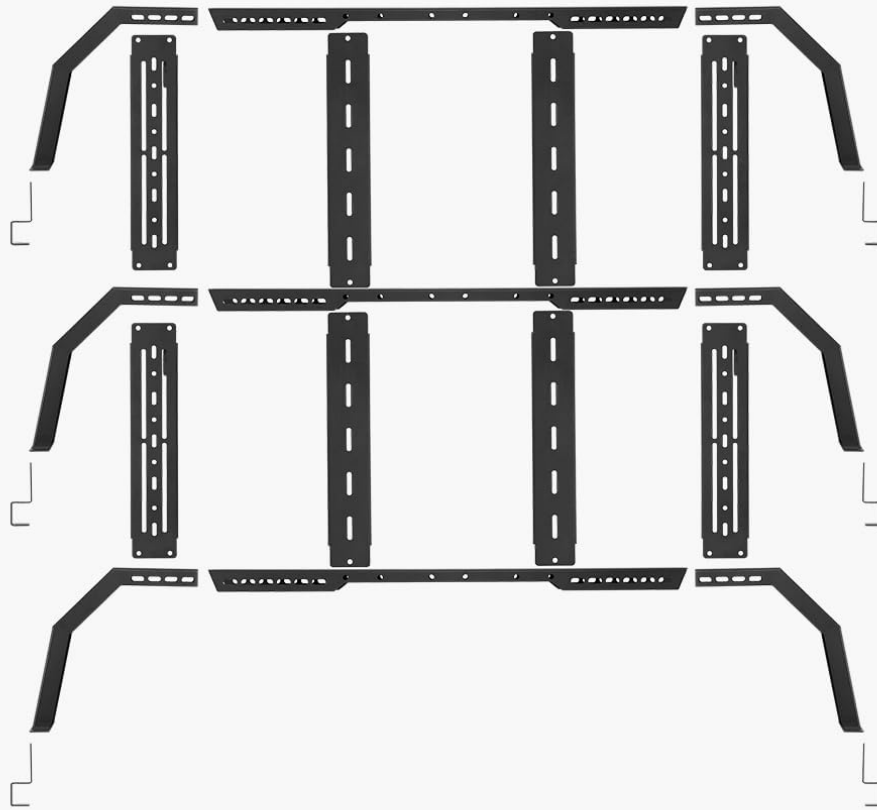
Image 1.1: The VEVOR Overland Truck Bed Rack installed on a pickup truck, demonstrating its capacity to carry oversized cargo such as a kayak and a large duffel bag securely above the truck bed.

2. SAFETY INFORMATION

- Always ensure all bolts and connections are securely tightened before driving. Regularly check for looseness.
- Do not exceed the static load capacity of 900 lbs (408.2 kg). Dynamic load capacity will be lower and depends on driving conditions.
- Distribute cargo evenly across the rack to maintain vehicle stability.
- Be aware of the increased height and width of your vehicle when the rack is loaded, especially when entering garages, drive-thrus, or low-clearance areas.
- Secure all cargo properly with appropriate tie-downs to prevent shifting or falling during transit.
- Wear appropriate personal protective equipment (PPE) during installation, such as gloves and eye protection.
- If drilling is required, ensure no vehicle components (fuel lines, electrical wiring) are present in the drilling path.

3. PACKAGE CONTENTS

Verify that all components listed below are present and undamaged before beginning installation. If any parts are missing or damaged, contact VEVOR customer support.



Item Model Number:

1102

Main Material:

Steel

Product Weight:

102.1 lbs / 46.3 kg

Product Dimensions:

63.4" x (51.2"-65.4") x 15.2" /

1610 x (1300-1660) x 387 mm

Static Load Capacity:

900 lbs / 408.2 kg

Steel Tube Thickness

0.1 in / 2.5 mm

Accessories:

1 x Hex Key (Allen Wrench)

72 x M10*20 Bolts

12 x M10*35 Bolts

72 x M10 Nuts

1 x Instruction Manual

Image 3.1: Detailed diagram showing all individual components and hardware included with the VEVOR Overland Truck Bed Rack.

- 1 x Truck Bed Rack (main frame components)
- 1 x Hex Key (Allen Wrench)
- 72 x M10*20 Bolts
- 12 x M10*35 Bolts
- 72 x M10 Nuts
- 1 x Instruction Manual (this document)

4. COMPATIBILITY AND FEATURES

4.1 Compatible Vehicles

This VEVOR Overland Truck Bed Rack is designed for compatibility with the following mid-size truck models:

- 2005-2024 Toyota Tacoma
- 2019-2024 Ford Ranger
- 2015-2024 Chevy Colorado
- 2015-2024 GMC Canyon



Image 4.1: The truck bed rack mounted on a compatible mid-size truck, illustrating its design and fitment.

4.2 Adjustable Width

The rack features an adjustable design, allowing the spacing between the frames to be modified to fit various truck bed widths. The adjustable width range is 51.2 to 65.4 inches (1300-1660 mm).

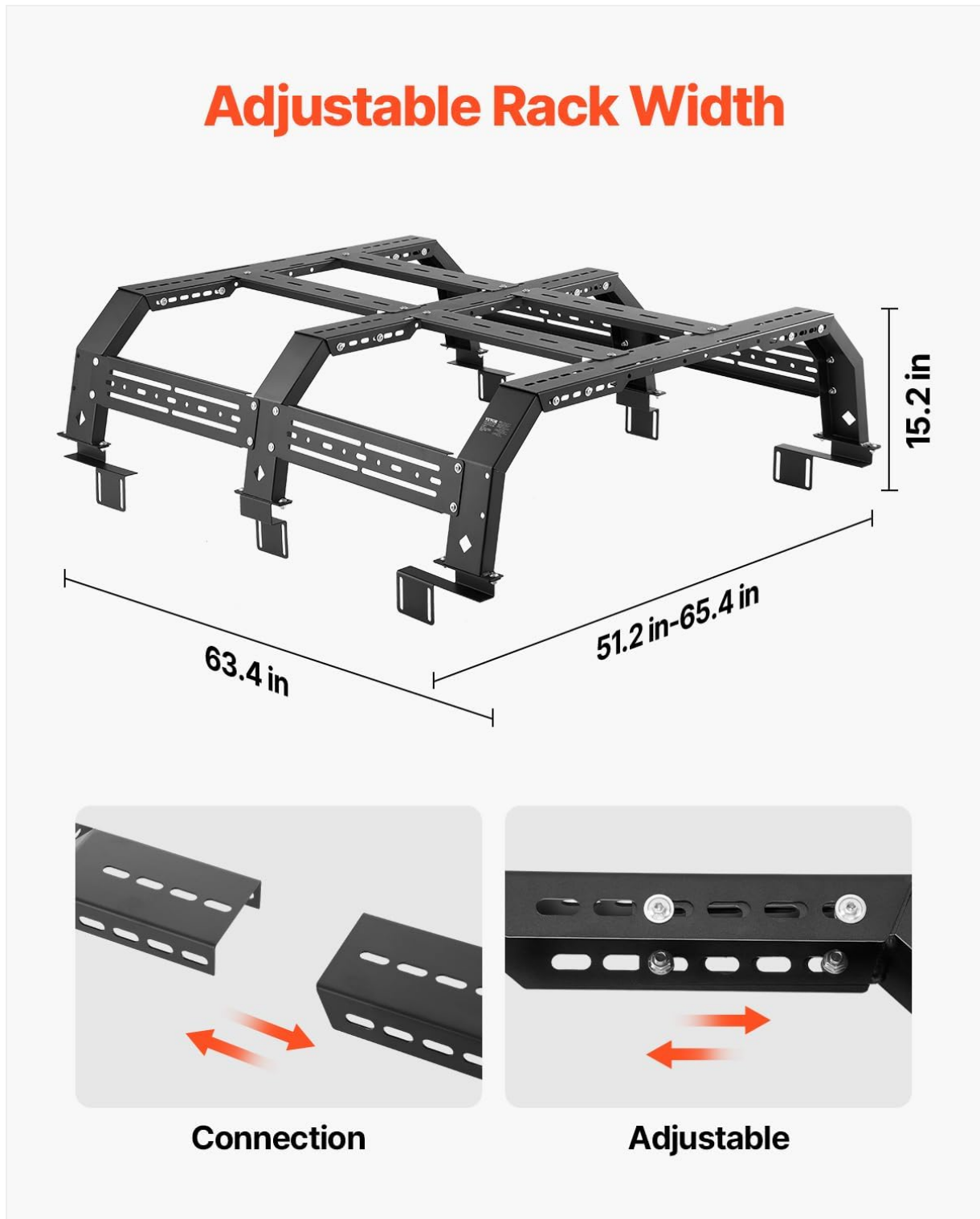


Image 4.2: Diagram detailing the adjustable width feature, highlighting the connection and adjustment points.

4.3 Static Load Capacity

The VEVOR Overland Truck Bed Rack supports a static maximum load of up to 900 lbs (408.2 kg). This capacity is suitable for transporting various equipment such as kayaks, fuel tanks, surfboards, ladders, roof boxes, and tents.

Supports Multiple Equipment and Tools



900 LBS

(408.2 kg) Static Load Capacity

Image 4.3: Visual representation of the rack's 900 lbs static load capacity, shown with a bicycle and a cargo box.

4.4 Durable Construction

The rack is constructed from durable steel, designed to be deformation-resistant. It features a multi-layer coating process for enhanced weather resistance and longevity:

1. **Steel Base:** The core structural material.
2. **Pre-treatment:** A layer applied to remove impurities and prepare the surface.
3. **Powder Coated:** A robust outer layer providing protection against harsh weather conditions, including sun exposure, heavy rain, snow, and dust.

Built to Last

High-Hardness Material with Anti-Rust Coating

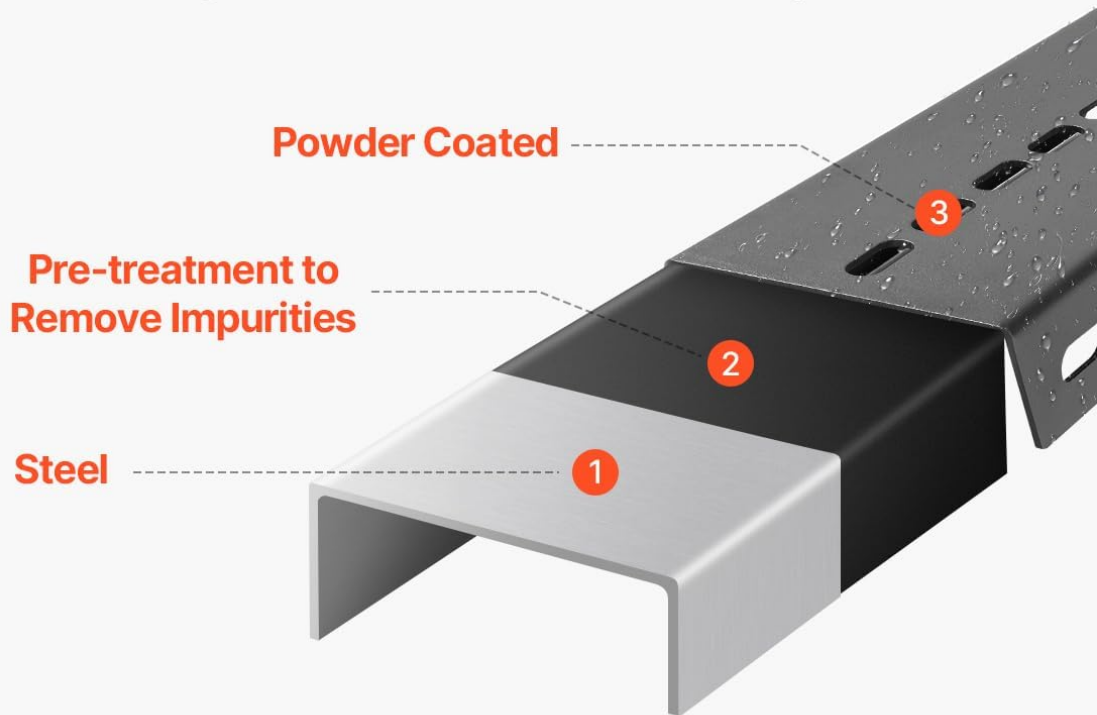


Image 4.4: Diagram illustrating the multi-layer construction of the rack for durability and weather resistance.

5. SETUP AND INSTALLATION

The VEVOR Overland Truck Bed Rack offers versatile installation options, including no-drill methods for bed rails and utility tracks, and the option for direct drilling if preferred.

5.1 General Installation Tips

Consider the type of truck bed cover you have, as this may affect installation or compatibility. The rack is generally compatible with:

- Folding Truck Bed Covers
- Telescopic Truck Bed Covers

- Covers Mounted on Top of the Bed Rails

It is generally **not compatible** with covers mounted inside the truck bed rails.

Installation Tips

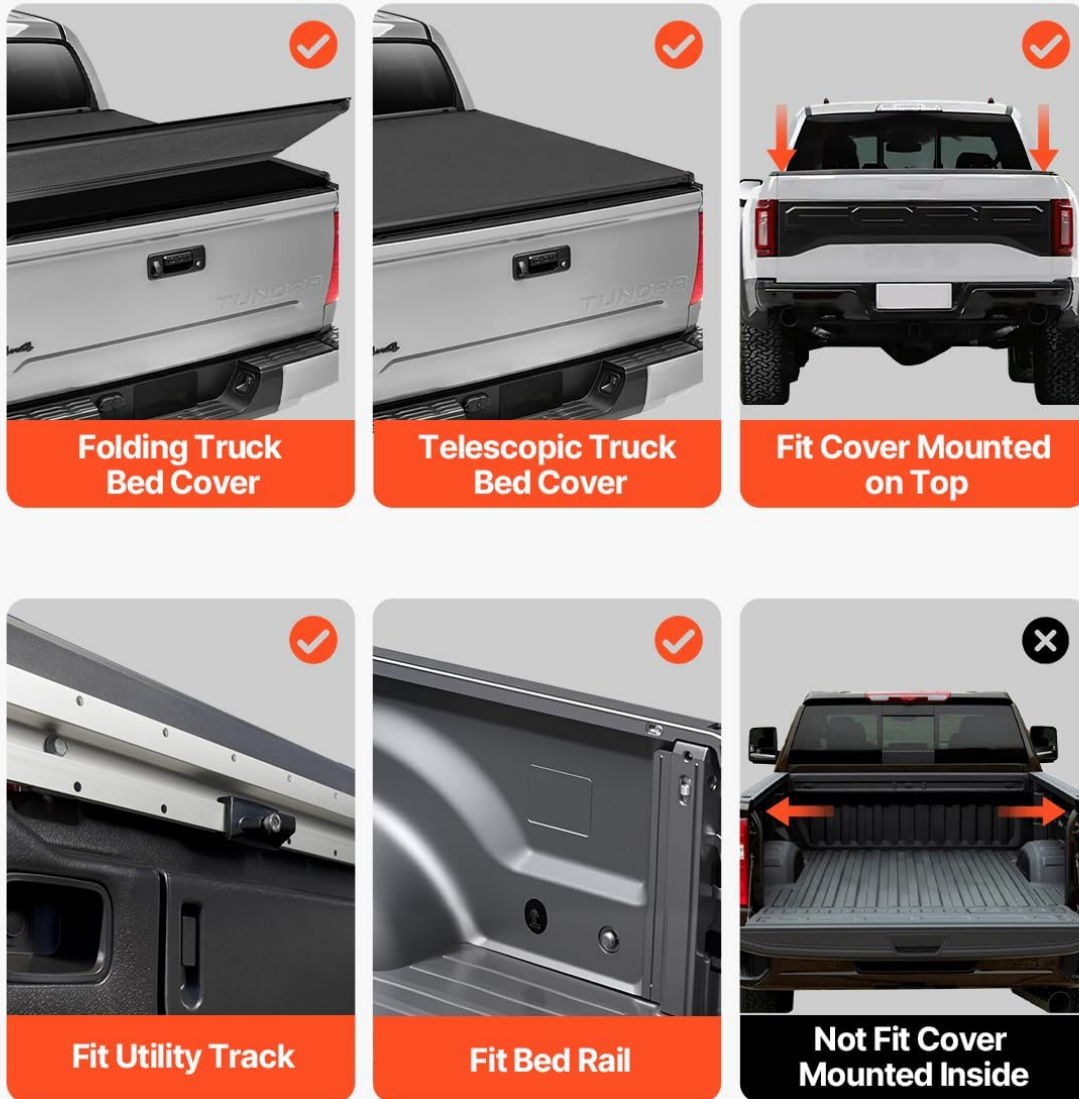


Image 5.1: Visual guide for compatibility with various truck bed covers and installation types.

5.2 No-Drill Installation on Utility Track

For trucks equipped with a utility track system, follow these steps for a no-drill installation:

1. Position the rack's mounting brackets onto the utility track.
2. Slide the brackets into the desired position along the track.
3. Secure the brackets using the provided hardware, ensuring a tight fit within the track.

No-Drill Installation on Bed Rail



Image 5.2: Step-by-step guide for no-drill installation using a truck's utility track.

5.3 No-Drill Installation on Bed Rail

For trucks without a utility track, the rack can be installed directly onto the bed rails using a no-drill method:

1. Place the rack's mounting brackets over the truck bed rails.
2. Adjust the brackets to align with the bed rail's edge.
3. Tighten the clamping mechanism with the provided bolts and nuts to secure the brackets firmly to the bed rails.

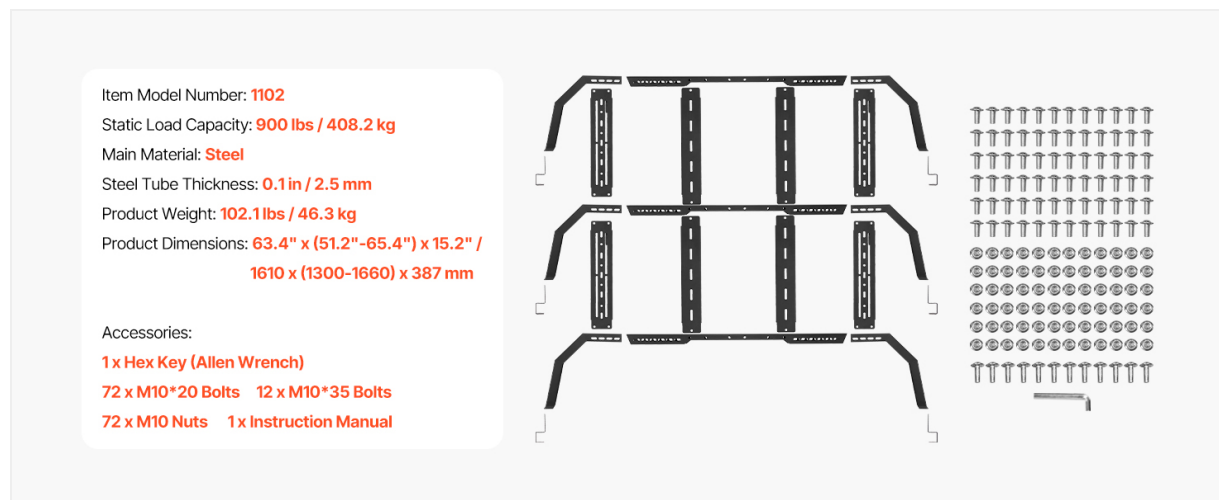


Image 5.3: Step-by-step guide for no-drill installation directly onto the truck's bed rails.

5.4 Direct Drilling Installation (Optional)

If preferred or necessary for specific truck configurations, the rack can be directly drilled into the truck bed. This method requires careful measurement and verification to avoid damaging vehicle components. Consult a professional if you are unsure about this installation method.

6. OPERATING INSTRUCTIONS (USAGE)

Once installed, the VEVOR Overland Truck Bed Rack provides additional cargo space above your truck bed. Utilize the multiple slim slots on the side panels, corner arms, and top surface for securing various items.

- **Cargo Placement:** Place heavier items closer to the center of the rack and distribute weight evenly.
- **Securing Cargo:** Use appropriate straps, ropes, or bungee cords through the available slots to firmly secure all cargo. Ensure there is no movement or shifting of items before driving.

- **Oversized Items:** The rack is ideal for long or bulky items that do not fit within the truck bed, such as kayaks, canoes, surfboards, ladders, and lumber.
- **Accessories:** The rack can accommodate various overland accessories, including roof top tents, cargo boxes, and fuel tanks.



Image 6.1: The rack configured to carry a cargo box and fuel tanks, demonstrating its utility for various gear.



Image 6.2: The rack supporting a rooftop tent, illustrating its use for camping and overland adventures.

No-Drill Installation on Utility Track



Image 6.3: The rack transporting a canoe, highlighting its capability for recreational equipment.

7. MAINTENANCE

Regular maintenance ensures the longevity and safe operation of your VEVOR Overland Truck Bed Rack.

- **Inspection:** Periodically inspect all components for signs of wear, damage, or corrosion. Pay close attention to welds, bolt connections, and mounting points.
- **Tightness Check:** Regularly check all bolts and nuts for tightness, especially after off-road use or carrying heavy loads. Re-tighten as necessary.
- **Cleaning:** Clean the rack with mild soap and water to remove dirt, mud, and road grime. Avoid abrasive cleaners or solvents that could damage the powder coating.
- **Corrosion Protection:** Although the rack has an anti-corrosion coating, promptly address any scratches or chips in the finish to prevent rust. Touch up with appropriate rust-inhibiting paint if needed.

8. TROUBLESHOOTING

If you encounter issues with your truck bed rack, consider the following:

- **Loose Connections:** If the rack feels unstable or rattles, check all bolts and nuts for proper tightness. Refer to the installation section for correct assembly.
- **Fitment Issues:** Ensure the rack's width has been adjusted correctly for your truck model. Verify that your truck is listed as compatible.
- **Noise During Driving:** Loose components or improperly secured cargo can cause noise. Inspect all connections and cargo tie-downs.
- **Damage/Corrosion:** If significant damage or unexpected corrosion occurs, discontinue use and contact VEVOR customer support for assistance.

9. SPECIFICATIONS

Feature	Specification
Item Model Number	1102
Main Material	Steel
Static Load Capacity	900 lbs (408.2 kg)
Steel Tube Thickness	0.1 in (2.5 mm)
Product Weight	110.2 lbs (46.3 kg)
Product Dimensions (L x W x H)	63.4" x (51.2"-65.4" adjustable) x 15.2" (1610 x (1300-1660) x 387 mm)
Mounting Type	U-Bolt (No-Drill for Bed Rail/Utility Track, or Direct Drill)
Automotive Fit Type	Universal Fit (for specified mid-size trucks)

10. WARRANTY AND SUPPORT

For warranty information and customer support, please refer to the official VEVOR website or contact their customer service directly. Keep your purchase receipt as proof of purchase for any warranty claims.

You can typically find contact information and warranty details on the manufacturer's website: www.vevor.com

