

## Viozon X10

# Viozon X10 Tablet Floor Stand Instruction Manual

Model: X10

## 1. INTRODUCTION

---

Thank you for choosing the Viozon X10 Tablet Floor Stand. This adjustable stand is designed to provide a versatile and hands-free viewing experience for your smartphones, tablets, and gaming devices. Its robust construction and flexible adjustments make it suitable for various environments, including your bed, sofa, desk, kitchen, or gym. Please read this manual carefully to ensure proper assembly, operation, and maintenance of your device.

## 2. PRODUCT FEATURES

---

- **Multi-Device Compatible & Dual-Mode Clip Holder:** This stand accommodates smartphones, tablets, and gaming devices ranging from 3.5 inches to 11 inches. The dual-mode clip easily switches between smartphone mode (2.36–4.09 inches) and tablet mode (5.51–8.46 inches) by simultaneously pressing the top right and bottom left buttons and gently pulling the clips.
- **360° Rotation & Adjustable Angle up to 85°:** The joint allows for smooth angle adjustment from 0° to 85°, securely holding devices at any desired angle. The arm rotates 360°, offering optimal viewing from various positions.
- **Height Adjustable & Large Base for Stability:** The stand's height can be smoothly adjusted between approximately 16.53 inches and 60.2 inches, catering to sitting, standing, or reclining positions. The durable aluminum alloy base (11.61 inches × 7.36 inches) ensures excellent stability.
- **Easy Assembly & Compact Storage Design:** Weighing approximately 2.2 kg, the stand features a telescoping main shaft for space-saving storage. The arm can be detached for compact transport. Simple assembly is required before use.
- **Ergonomic Design for Everyday Use:** Enjoy hands-free comfort for reading, streaming, video calls, fitness, or work. Ideal for content creators, students, and professionals. Note: Designed primarily for viewing. Slight wobble may occur during touch use. Avoid unstable angles or extended heights to prevent tipping.

## 3. PACKAGE CONTENTS

---

Please verify that all components are present in your package:

- 1 x Viozon X10 Tablet Floor Stand (Base, Main Pole, Device Holder)
- 1 x Assembly Screw
- 1 x Allen Key (stored in the base)
- 1 x Instruction Manual

## 4. SETUP INSTRUCTIONS

---

1. **Unpack Components:** Carefully remove all parts from the packaging.
2. **Attach Main Pole to Base:** Align the bottom of the main pole with the hole in the center of the base. Insert the provided screw through the bottom of the base into the pole. Use the Allen key (found in the base's storage slot) to tighten the screw securely.
3. **Store Allen Key:** After assembly, return the Allen key to its designated storage slot at the bottom of the base for future adjustments.



Image: Assembly steps and various usage scenarios of the Viozon X10 Tablet Floor Stand.

## 5. OPERATING INSTRUCTIONS

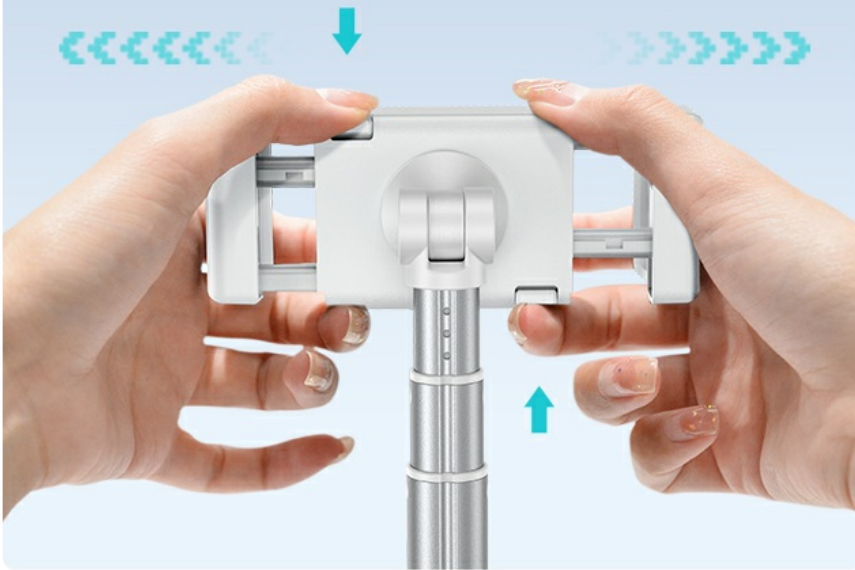
---

### 5.1 Adjusting Height

To adjust the height of the stand, gently pull the telescoping main shaft upwards to extend it or push it downwards to retract it. The stand will hold its position once released. The height can be adjusted from approximately 16.53 inches to 60.2 inches.

## Applicable to Multiple Sizes

Press the upper right and lower left buttons, gently pull clip on both sides to switch to the tablet holder mode



**3.5~7"** Phone  
Phone Holder Mode



**7~11"** Tablet  
Tablet Holder Mode



Image: Detailed diagram showing the extendable height range of the stand.

## 5.2 Adjusting Angle and Rotation

The device holder features a joint that allows for angle adjustments from 0° to 85°. The entire arm can also rotate 360° for optimal viewing. To adjust the tension of the joint, use the provided Allen key on the tension adjustment screw located on the joint.



## Always at View

360 degrees rotation, support both landscape and portrait viewing.



Tension  
Adjustment



The wrench can be  
stored in the base



Image: Visual guide for 360-degree rotation and 85-degree angle adjustment.

## 5.3 Using the Dual-Mode Clip Holder

The clip holder supports both smartphones and tablets. To switch between modes:

- **For Tablet Mode (5.51–8.46 inches):** Press the top right and bottom left buttons of the clip simultaneously and gently pull the clips outwards to expand for larger devices.
- **For Phone Mode (2.36–4.09 inches):** Press the top right and bottom left buttons of the clip simultaneously and gently push the clips inwards to contract for smaller devices.

Once the desired mode is set, gently place your device into the holder, ensuring it is securely gripped by the anti-slip rubber pads.

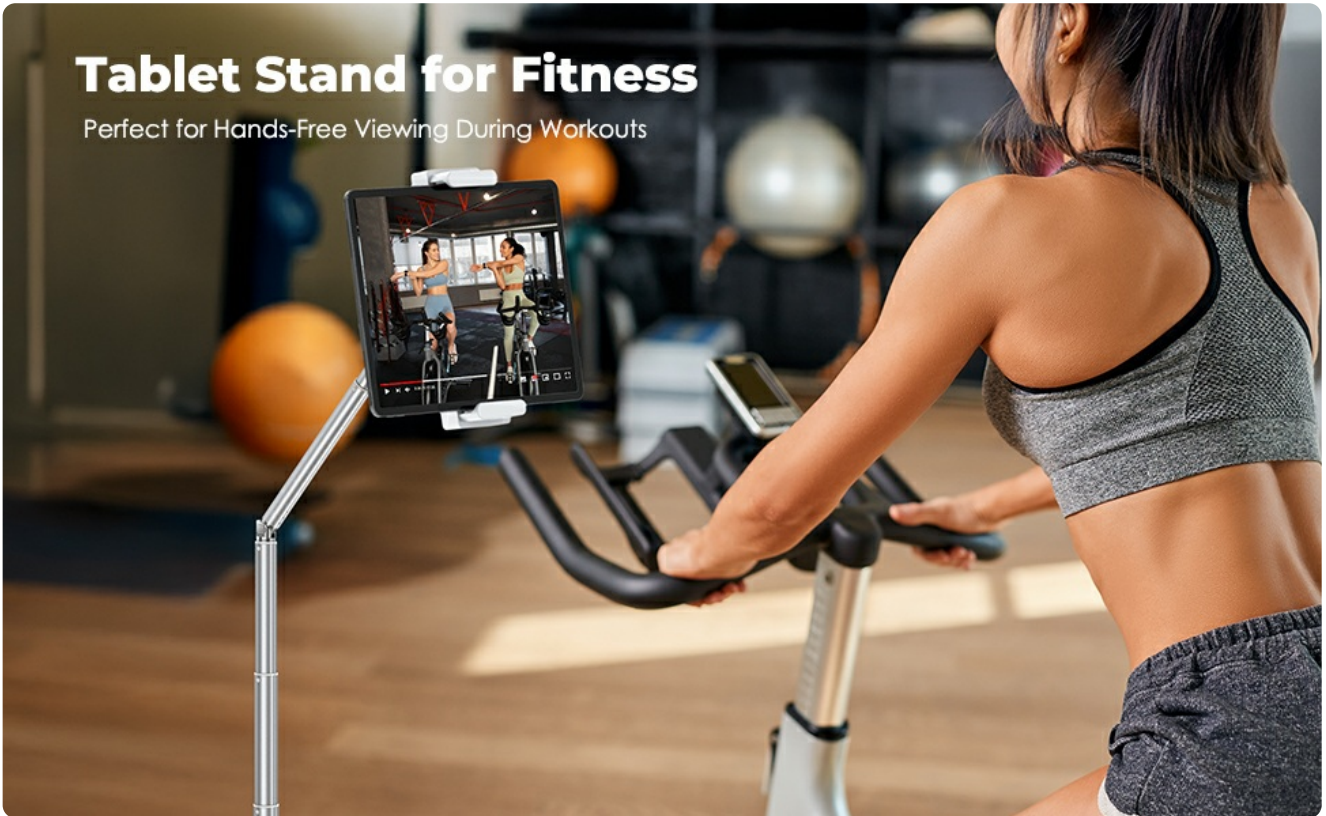


Image: Instructions for adjusting the clip holder for different device sizes.

## 5.4 General Usage Tips

- Ensure the base is placed on a flat, stable surface.
- For maximum stability, especially when extended, position the base so that the weight distribution is optimal for your device's position.
- Avoid excessive force when adjusting the stand or placing your device.

## 6. MAINTENANCE

---

- **Cleaning:** Wipe the stand with a soft, damp cloth. Avoid using abrasive cleaners or solvents that may damage the finish.
- **Storage:** When not in use, retract the main shaft to its shortest height and detach the arm if desired for compact storage.
- **Regular Checks:** Periodically check all screws and joints to ensure they are tight and secure. Re-tighten with the Allen key if necessary.

## 7. TROUBLESHOOTING

---

- **Stand feels wobbly:**

- Ensure the base is on a flat, stable surface.
  - Verify that the screw connecting the main pole to the base is securely tightened.
  - Check the tension adjustment on the arm's joint. Tighten if the arm feels too loose.
  - Avoid extending the arm too far horizontally, especially with heavier devices, as this can shift the center of gravity and reduce stability.
- **Device not fitting in clip:**
    - Ensure you are using the correct mode (phone or tablet) for your device size. Refer to section 5.3.
    - The stand is compatible with devices from 3.5 to 11 inches. Devices outside this range may not fit securely.

## 8. SPECIFICATIONS

---

<b>Model</b>	X10
<b>Brand</b>	Viozon
<b>Material</b>	Aluminum Alloy, ABS, Zinc Alloy
<b>Compatible Devices</b>	Smartphones, Tablets, Gaming Consoles (3.5-11 inches)
<b>Height Adjustment Range</b>	Approx. 16.53 - 60.2 inches
<b>Arm Angle Adjustment</b>	0° to 85°
<b>Arm Rotation</b>	360°
<b>Base Dimensions</b>	11.61 x 7.36 inches
<b>Item Weight</b>	5.28 pounds (approx. 2.2 kg)
<b>Color</b>	White

## 9. PRODUCT OVERVIEW VIDEO

---

Video: Official Viozon overview of the tablet floor stand, demonstrating its features and versatility for phones, tablets, and Kindle devices.

## 10. ADDITIONAL PRODUCT IMAGES

---

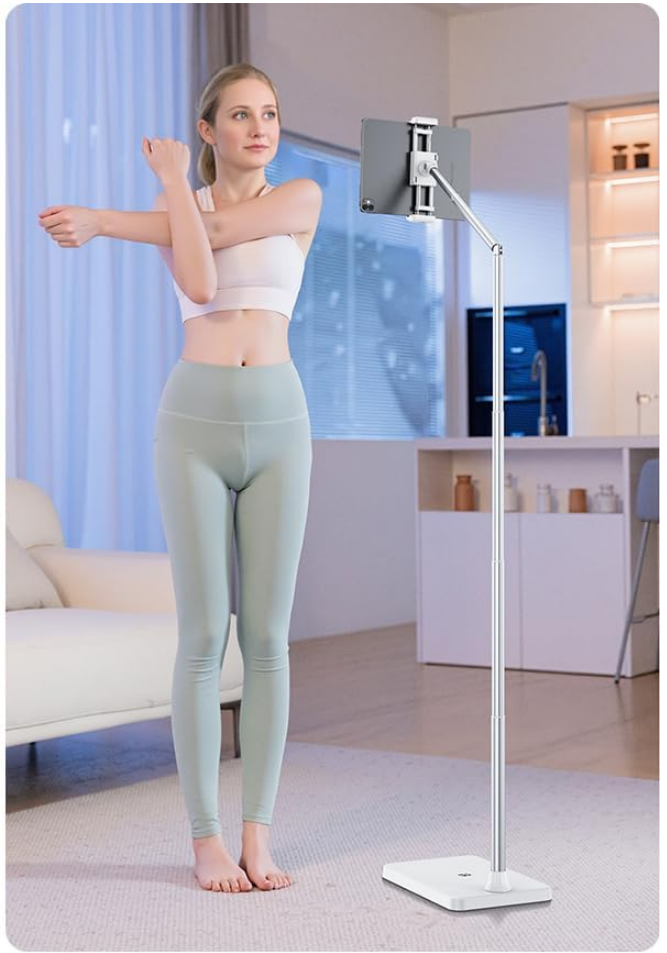
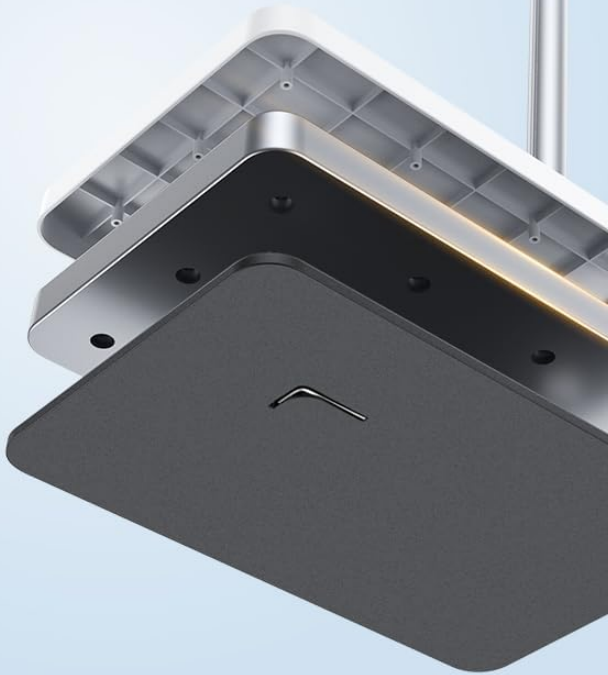


Image: Multiple use cases in different home environments.

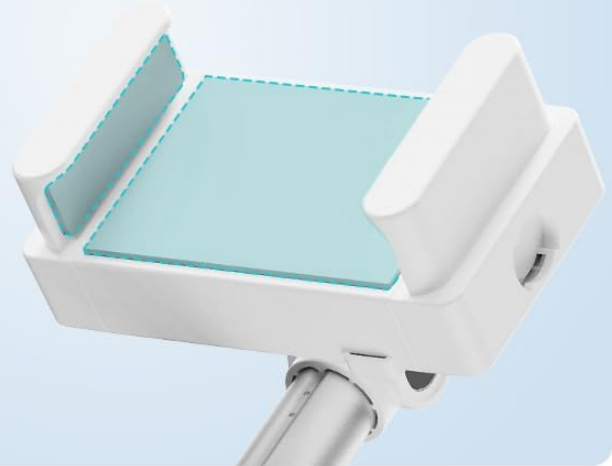
## Heavy-duty Base

Larger Support Area for Enhanced Stability



## Anti-slip Rubber

Firmly locking without damaging the device



## Dual Spring-Loaded Clamp

Quick to Clip,  
Easy to Release –  
Fits Phones &  
Tablets Alike



## Thickened Extendable Pole



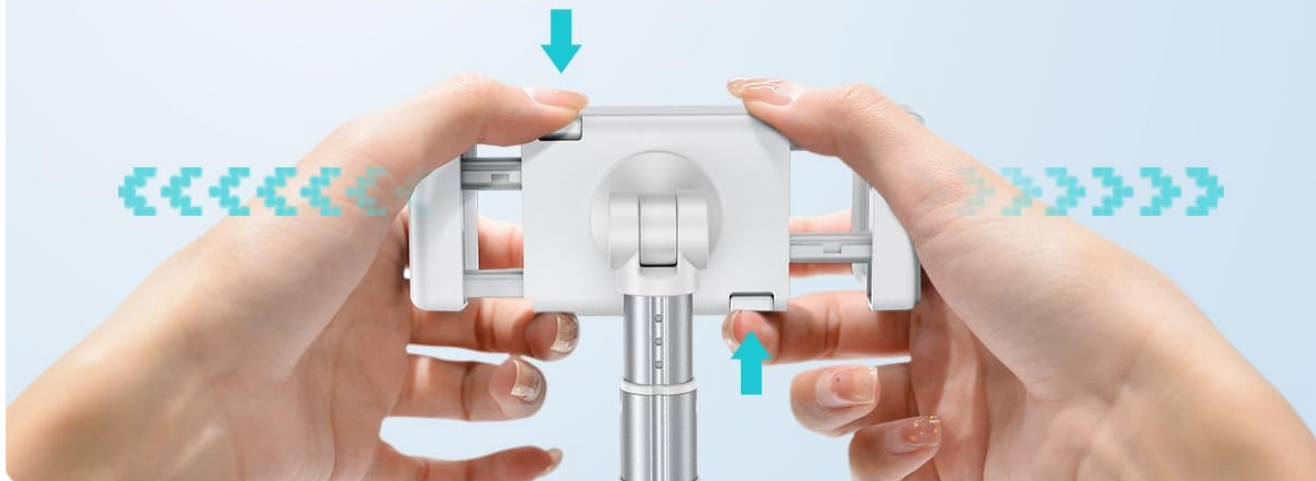
Image: Detailed view of the stand's robust components.

# Applicable to Multiple Sizes

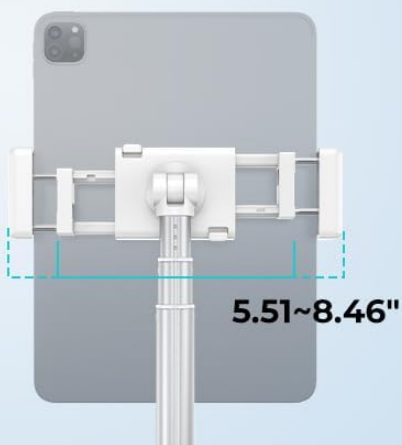
Compatible with devices ranging from 3.5" to 11"



Press the upper right and lower left buttons and gently pull the clip on both sides to switch to the tablet holder mode.



**Tablet Holder Mode**  
for **7~11"** device



**Phone Holder Mode**  
for **3.5~7"** device

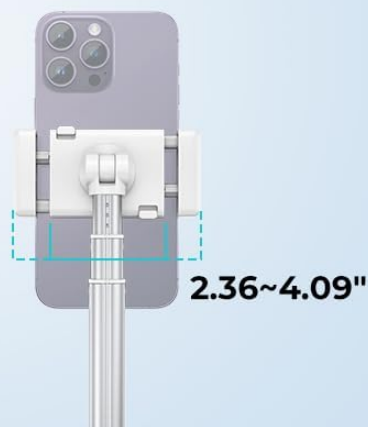


Image: How to adjust the clip for different device sizes.

## 11. WARRANTY AND SUPPORT

Viozon products are manufactured with high-quality materials and undergo strict quality control. For warranty information, technical support, or customer service inquiries, please refer to the contact information provided on the product packaging or visit the official Viozon website. Keep your purchase receipt for warranty claims.

