



Manuals.plus /

› Mavivegue /

› Mavivegue Adjustable Closet Rod (17-99 Inch, Gold) - Instruction Manual

## Mavivegue 17-99 IN Gold

# Mavivegue Adjustable Closet Rod (17-99 Inch, Gold) - Instruction Manual

Brand: Mavivegue | Model: 17-99 IN Gold

## INTRODUCTION

---

Thank you for choosing the Mavivegue Adjustable Closet Rod. This manual provides detailed instructions for the safe and efficient installation, operation, and maintenance of your new closet rod. Please read this manual thoroughly before installation and retain it for future reference.

## PRODUCT FEATURES

---

- **Adjustable Design:** Features a stepless adjustment design, allowing precise length customization from 17 to 99 inches without size gaps or manual cutting.
- **Sturdy and Durable Construction:** Made from premium metal with a corrosion-resistant and shiny gold finish. This heavy-duty rod can support up to 66 lbs in the middle.
- **Secure U-Shaped Brackets:** Includes 1.5 x 2.5 x 1.5 inch U-shaped brackets made of premium metal for easy installation and quick removal. Brackets feature a side screw to secure the rod, preventing sliding.
- **Easy Installation:** Simple installation process involving securing brackets with screws, connecting poles, inserting the rod into brackets, and tightening with side screws.
- **Multi-Purpose Application:** Versatile for use in various settings including laundry rooms, as room dividers, curtain rods, shower curtain rods, window lock rods, sliding door safety rods, or in RVs. Ideal for hanging diverse clothing items.

# HEAVY DUTY MATERIAL



**Ours**



Even when fully loaded, it will not sag

**Others**



Easy to bend

**66LB**

**Weight bearing: 66LB**

Image: The Mavivegue Closet Rod is constructed from heavy-duty material, capable of supporting up to 66 pounds without sagging, as demonstrated by a kettlebell hanging from it.



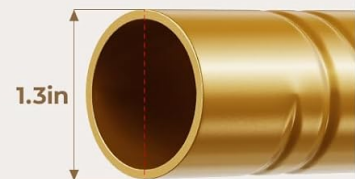
## STURDY & DURABLE



**Adjustable Closet Rod**



**High quality material,  
corrosion resistant**



**1.3 Inch Diameter  
(Bold and Thick)**

Image: Close-up view highlighting the adjustable nature of the rod, its high-quality, corrosion-resistant material, and its robust 1.3-inch diameter.

## PACKAGE CONTENTS

Please ensure all components are present before beginning installation:

- Main Rod (17-28 inches)
- Auxiliary Rods (15 inches each, quantity varies based on total length)
- Brackets (U-shaped and circular, quantity 2 each)
- Screws (7x)
- Expansion Screws (7x)

# PRODUCT SIZE

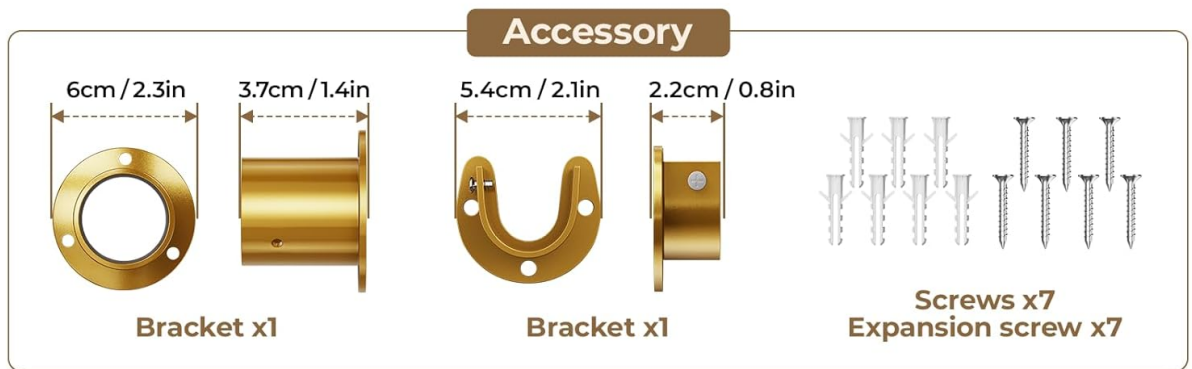
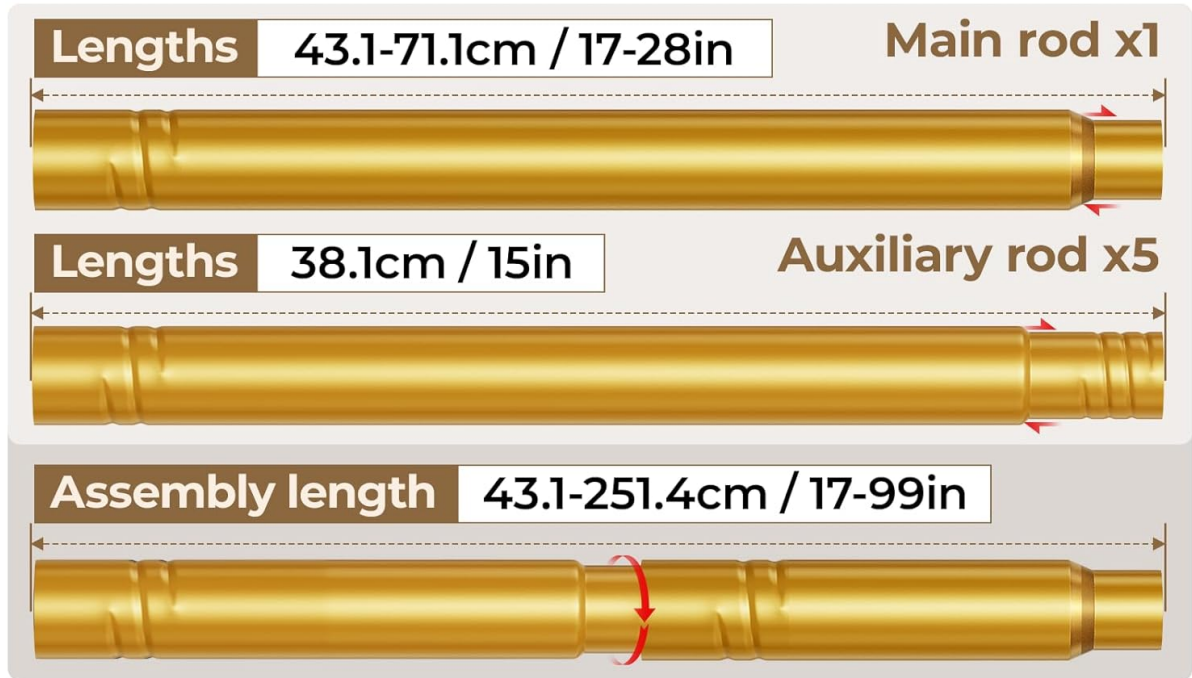


Image: Detailed view of all components included in the package, illustrating the main rod, auxiliary rods, various brackets, screws, and expansion screws.

## INSTALLATION INSTRUCTIONS

Follow these steps for a secure installation:

- Mark Bracket Positions:** Hold the brackets in the desired location and use a pencil to mark the screw hole positions on the wall or wardrobe interior.
- Drill Holes and Insert Anchors:** Drill pilot holes at the marked positions. For drywall or masonry, insert the provided wall anchors. For wood, short screws can be used directly.
- Secure Brackets:** Attach the brackets to the wall or wardrobe using the appropriate screws. Ensure they are firmly tightened.
- Assemble Rod to Desired Length:** Connect the main rod and auxiliary rods as needed to achieve the desired length. The rod features a stepless adjustment. Twist counter-clockwise to loosen, extend to length, then twist clockwise to tighten.
- Place and Secure Rod:** Insert the assembled rod into the secured brackets. Use the side screws on the U-shaped brackets to firmly secure the rod in place, preventing any movement.

# INSTALLATION STEPS



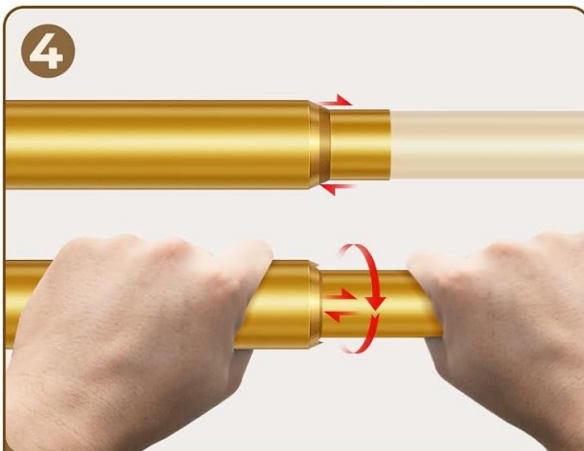
**1**  
Mark the bracket hole positions



**2**  
Drill holes and insert wall anchors



**3**  
Secure the brackets with screws



**4**  
Adjusted rotating fixed position



**5**  
Place the rod on the brackets and secure with bracket screws.

Image: Visual instructions detailing the five steps for installing the closet rod, from marking positions to securing the rod.

## Installation Video Guide

Your browser does not support the video tag.

Video: A short demonstration of the easy installation process for the closet rod, showing how to assemble and mount it securely.

Your browser does not support the video tag.

Video: This video illustrates the assembly of the Mavivegue Closet Rod to various lengths and its secure installation within a closet.

## USAGE AND APPLICATIONS

The Mavivegue Adjustable Closet Rod is designed for versatility and can be used in numerous settings to maximize your space:

- **Closets:** Organize clothing, accessories, and other items efficiently.
- **Laundry Rooms:** Ideal for hanging clothes to dry or for temporary storage.
- **Bathrooms:** Can serve as a shower curtain rod or for hanging towels.
- **Room Dividers:** Create temporary partitions in open spaces.
- **Window Treatments:** Use as a curtain rod for windows.

- **RV and Small Spaces:** Perfect for optimizing storage in compact environments.



Image: Examples of the closet rod's versatile applications in different home areas, including closets, bedrooms, bathrooms, and laundry rooms.

# FIITS ANY WALL SURFACE



Wooden

Brick

Cement

Tile

Image: Illustration showing that the closet rod can be securely installed on various wall types, including wood, brick, cement, and tile surfaces.

## MAINTENANCE

To ensure the longevity and optimal performance of your Mavivegue Closet Rod:

- Regularly check all screws and connections to ensure they remain tight.
- Clean the rod and brackets with a soft, damp cloth. Avoid abrasive cleaners that may damage the finish.
- Do not exceed the maximum weight capacity of 66 pounds to prevent sagging or damage.

## TROUBLESHOOTING

If you encounter any issues with your closet rod, please refer to the following common solutions:

- **Rod is sagging:** Ensure the rod is not overloaded. Verify that all connections and bracket screws are securely tightened.
- **Rod is difficult to adjust:** The adjustable mechanism may be tight when new. Apply gentle, firm pressure while twisting to loosen and extend.

- **Brackets feel loose:** Re-tighten all screws. If installing into drywall, ensure wall anchors are properly seated. Consider using stronger anchors if the load is heavy.

## SPECIFICATIONS

---

<b>Brand</b>	Mavivegue
<b>Model</b>	17-99 IN Gold
<b>Color</b>	Gold
<b>Product Dimensions</b>	Adjustable from 17 to 99 inches in length, 2.5 inches width (bracket)
<b>Material</b>	Iron
<b>Mounting Type</b>	Wall Mounted
<b>Item Weight</b>	1.52 Kilograms
<b>Maximum Weight Recommendation</b>	66 Pounds

## WARRANTY AND SUPPORT

---

Mavivegue is committed to providing quality products and excellent customer service. For any questions, concerns, or support regarding your adjustable closet rod, please contact our customer service team. Your satisfaction is our priority.