



Manuals.plus /

› monTEK /

› monTEK Heavy Duty XXL Full Motion TV Wall Mount (Model HW1277BK) Instruction Manual

monTEK HW1277BK

monTEK Heavy Duty XXL Full Motion TV Wall Mount

Model: HW1277BK

1. INTRODUCTION

This manual provides detailed instructions for the safe and proper installation, operation, and maintenance of your monTEK Heavy Duty XXL Full Motion TV Wall Mount. Designed for extra-large televisions ranging from 60 to 120 inches and supporting up to 265 lbs, this mount offers full motion flexibility including extension, swivel, and tilt adjustments. Please read this manual thoroughly before installation and retain it for future reference.

2. SAFETY INFORMATION

WARNING: DO NOT MOUNT ON DRYWALL ALONE!

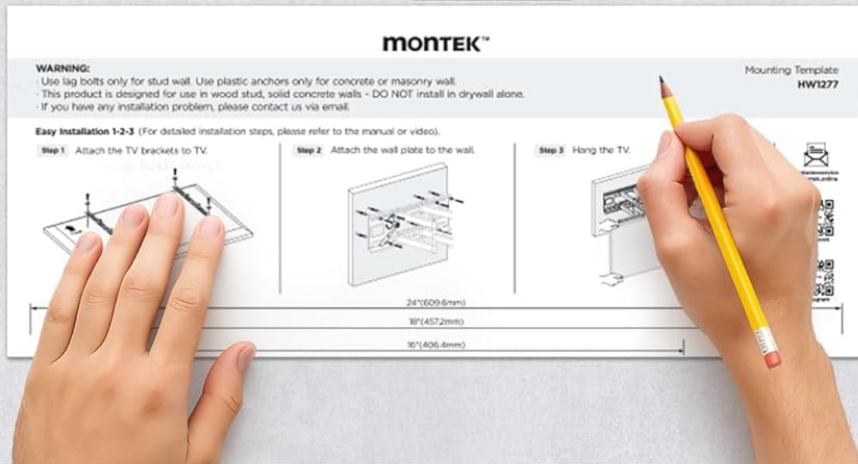
Incorrect installation may result in serious injury or damage to your TV and property. Always ensure the mounting surface can safely support the combined weight of the mount and your television. Due to the weight of the mount and large TVs, a 2-person installation is highly recommended.

- Use plastic anchors only for concrete or masonry walls.
- Use lag bolts only for wood stud walls.
- DO NOT install on drywall alone.
- If you have any installation problems, please contact customer support.

3. PACKAGE CONTENTS

Verify that all components are present and undamaged before proceeding with installation. Refer to the included mounting template and hardware bags.

All You Need is Included



Mounting Hardware Included



monTEK™

HW1242BK

43"-100"

BLACK/WHITE

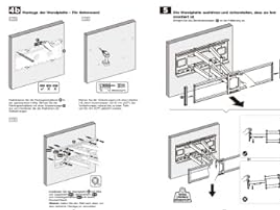
VESA

200x200 300x200

400x200 300x300

400x300 400x400

600x400 800x400



Detailed Manual and Video Guide

Customer Support



Figure 3.1: All included components for the monTEK TV Wall Mount.

Mounting Hardware (Included)

- Various TV screws (M6x14mm, M8x16mm, M6x30mm, M8x35mm)
- Washers (M-E)
- Spacers (M-F, M-G)
- Lag bolts (W-A)
- Concrete anchors (W-B)
- Washers (W-C)
- Bubble Level

- Mounting Template
- Instruction Manual

4. TOOLS REQUIRED (NOT INCLUDED)

- Phillips Screwdriver
- Drill
- Socket Wrench
- Pencil
- Stud Finder

5. INSTALLATION GUIDE

5.1. Prepare the TV

1. **Check VESA Compatibility:** Ensure your TV's VESA pattern is between 200x200mm and 900x600mm. The mount supports TVs from 60 to 120 inches and up to 265 lbs.
2. **Select TV Screw Length:** Choose the appropriate screws (M-A, M-B, M-C, M-D) and washers (M-E) or spacers (M-F, M-G) that fit your TV's mounting holes. For flat TVs, use M-A or M-B screws with M-E washers. For curved TVs, use M-C or M-D screws with M-E washers and M-F or M-G spacers.
3. **Attach TV Brackets:** Secure the TV brackets to the back of your television. Ensure the brackets do not block any input ports. Adjust the bracket position (high or low VESA mounting hole) to avoid interference. Make sure the brackets are level.

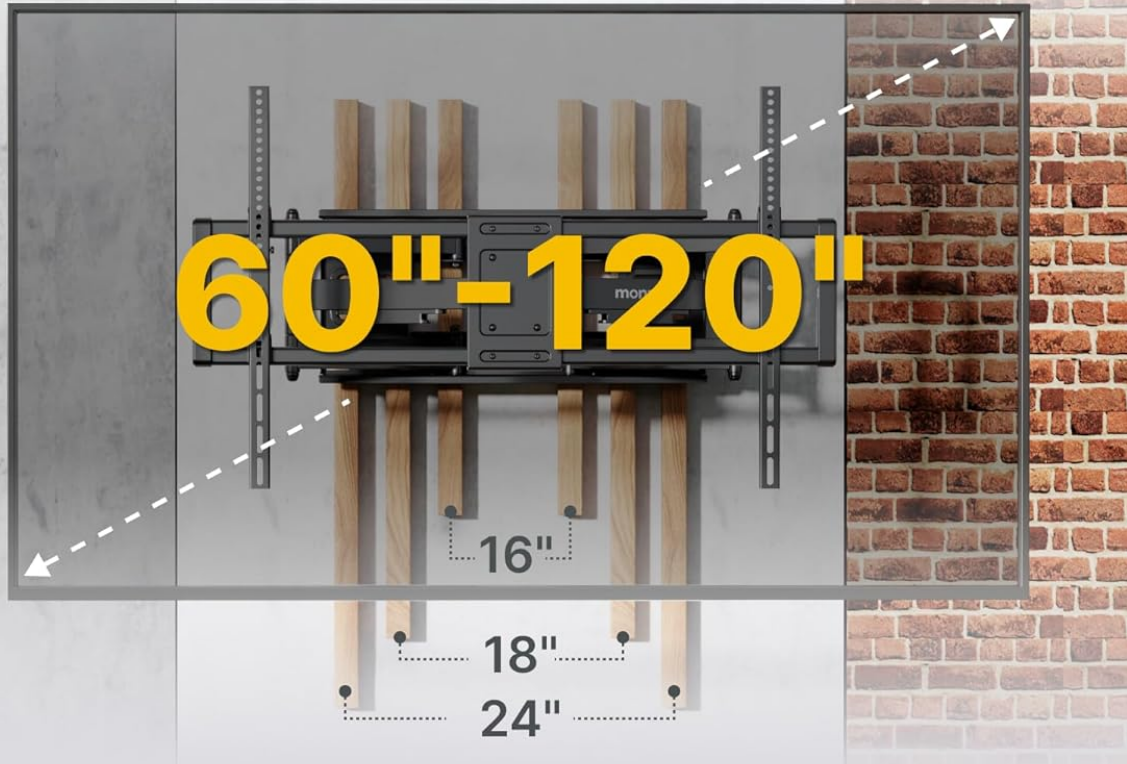
Wide Compatibility

⚠ DO NOT MOUNT ON DRYWALL ALONE !

Concrete

Wood Studs

Brick



VESA Compatibility

Min: **200×200**

Max: **900×600**

Max. Load

265 lbs

Figure 5.1: VESA compatibility and load capacity.

5.2. Mount the Wall Plate

The monTEK mount is compatible with wood stud, concrete, and brick walls. Use a stud finder to locate wood studs if applicable.

- 1. Mark Drilling Locations:** Use the provided mounting template (HW1277) and a pencil to mark the drilling points on your wall. Ensure the template is level.
- 2. Drill Pilot Holes:**
 - For **Wood Stud Walls** (16"/18"/24" spacing): Drill pilot holes with a 6.0mm (1/4") drill bit to a depth of 90mm (3.5").

- For **Concrete/Brick Walls**: Drill pilot holes with a 12mm (1/2") drill bit to a depth of 95mm (3.7"). Insert concrete anchors (W-B) into the drilled holes.
3. **Attach Wall Plate**: Align the wall plate with the drilled holes. Secure the wall plate to the wall using lag bolts (W-A) and washers (W-C) with a socket wrench. Ensure the wall plate is firmly mounted and level.



Figure 5.2: Wall plate securely mounted.

5.3. Hang the TV

1. **Hang TV onto Wall Plate**: Carefully lift your TV (with brackets attached) and hook it onto the wall plate. The pre-assembled design and quick lock & release feature simplify this step.
2. **Secure TV**: Engage the quick release mechanism to lock the TV securely onto the wall plate.

3. **Cable Management:** Utilize the integrated cable management features to route and organize your TV cables for a clean setup.

Your browser does not support the video tag.

Video 5.1: Detailed installation guide for the monTEK Heavy Duty TV Wall Mount.

6. OPERATING INSTRUCTIONS

The monTEK TV Wall Mount offers versatile adjustments for optimal viewing.

- **Extension:** Extend the TV up to 27.7 inches from the wall for optimal viewing and easy cable access.
- **Swivel:** Swivel the TV $\pm 60^\circ$ left or right to achieve the perfect viewing angle from anywhere in the room.
- **Tilt:** Adjust the vertical tilt from $+5^\circ$ to -15° to reduce glare and optimize your viewing experience. This is a tool-free adjustment.
- **Screen Leveling:** After installation, you can adjust the screen leveling by $\pm 5^\circ$ to ensure your TV is perfectly horizontal.

Flexible Extension & Tilt

Tilt **+5° to -15°**
to reduce glare



Cable Management

Extend **3"-27.7"**
for optimal viewing and easy cable access

Figure 6.1: Flexible extension and tilt capabilities.

Optimal Viewing From Anywhere



Figure 6.2: Swivel adjustment for optimal viewing.

Easy Leveling After Installation



Figure 6.3: Screen leveling adjustment.

Your browser does not support the video tag.

Video 6.1: Demonstration of the monTEK TV Wall Mount's full motion features.

7. MAINTENANCE

To ensure the longevity and safe operation of your TV wall mount, follow these maintenance guidelines:

- **Regular Cleaning:** Wipe the mount with a soft, dry cloth to remove dust. Avoid abrasive cleaners or solvents.
- **Periodic Inspection:** Periodically check all screws and bolts to ensure they are tight and secure. Re-tighten if necessary.

- **Lubrication:** If the articulating arms become stiff, apply a small amount of silicone-based lubricant to the moving joints.

8. TROUBLESHOOTING

If you encounter any issues with your monTEK TV Wall Mount, please refer to the following common solutions:

- **TV Not Level:** Use the screen leveling adjustment feature ($\pm 5^\circ$) as described in Section 6. If the wall plate itself is not level, you may need to re-adjust its mounting.
- **Difficulty Moving Arms:** Ensure all adjustment bolts are not overtightened. If the arms are stiff, apply lubricant as per maintenance instructions.
- **Mount Feels Unstable:** Immediately remove the TV from the mount. Re-check all wall mounting bolts and TV bracket screws for tightness. Ensure the mount is installed into appropriate wall structures (wood studs, concrete, or brick) and not drywall alone.

For further assistance, please contact monTEK customer support.

9. SPECIFICATIONS

Feature	Specification
Brand	monTEK
Model Number	HW1277BK
Compatible TV Sizes	60-120 inches
Maximum Weight Capacity	265 lbs
VESA Compatibility	200x200mm to 900x600mm
Movement Type	Articulating, Swivel
Extension Range	2.95 inches (retracted) to 27.7 inches (extended)
Swivel Angle	$\pm 60^\circ$
Tilt Angle	$+5^\circ$ to -15°
Screen Leveling Adjustment	$\pm 5^\circ$
Material	Alloy Steel
Color	Black
Product Dimensions	39.76 x 2.95 x 24.8 inches
Item Weight	4.8 pounds

10. WARRANTY AND SUPPORT

monTEK provides lifetime customer support for this product. If you have any questions, concerns, or require assistance with installation or operation, please do not hesitate to contact our professional guidance team. We

are committed to ensuring your satisfaction.