

[Manuals.plus](#) /

› [FUFU&GAGA](#) /

› FUFU&GAGA White Nightstand 3-Drawer Assembly and User Manual

## FUFU&GAGA White Nightstand 3-Drawers

# FUFU&GAGA White Nightstand 3-Drawer Assembly and User Manual

Model: White Nightstand 3-Drawers

## 1. PRODUCT OVERVIEW

---

The FUFU&GAGA White Nightstand is a modern bedside table featuring three spacious drawers, elegant gold handles, and sturdy metal legs. Designed for versatility, it serves as an ideal storage solution and accent piece for bedrooms or living rooms.



Image 1: Fully assembled FUFU&GAGA White Nightstand.

## 2. SPECIFICATIONS

Feature	Detail
Brand	FUFU&GAGA
Product Dimensions	15.7"D x 31.5"W x 29.7"H
Color	White
Style	Modern
Base Type	Leg
Number of Drawers	3

Feature	Detail
Top Material Type	Engineered Wood
Material Type	Engineered Wood
Shape	Rectangular

### 3. ASSEMBLY INSTRUCTIONS

---

This nightstand requires assembly. Please ensure you have received all necessary parts and that they are intact before beginning. A detailed product manual with specific diagrams is included in your package. Follow those instructions carefully for optimal assembly.

#### 3.1. Unpacking and Part Identification

Carefully unpack all components from the box. Lay them out on a clean, soft surface to prevent scratches. Verify that all hardware and panels are present by comparing them against the parts list in your included manual. Hardware is typically labeled for easy identification.

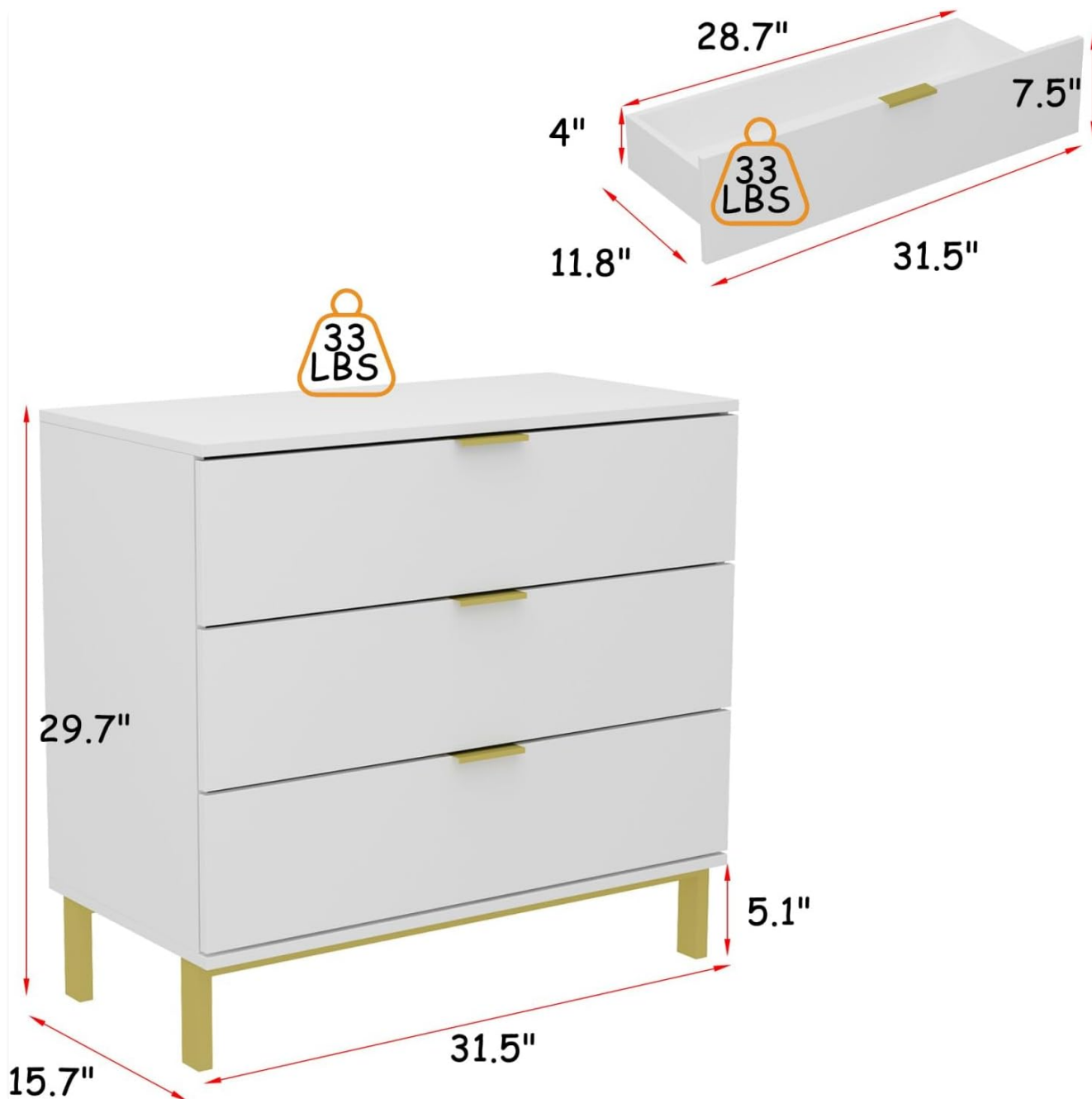


Image 2: Product dimensions and drawer component illustration.

### 3.2. General Assembly Steps

While referring to your specific manual for detailed steps, the general assembly process involves:

1. **Attach the Metal Legs:** Secure the gold metal legs to the bottom panel of the nightstand using the provided screws. Ensure they are firmly tightened for stability.
2. **Assemble the Frame:** Connect the side panels, back panel, and top panel to form the main structure of the nightstand.
3. **Construct the Drawers:** Assemble each of the three drawers by attaching the front, back, and side panels, then securing the bottom panel. Install the gold handles onto the drawer fronts.
4. **Install Drawer Slides:** Attach the drawer slides to both the nightstand frame and the assembled drawers, ensuring proper alignment for smooth operation.
5. **Insert Drawers:** Carefully slide the assembled drawers into their respective slots in the nightstand frame.

If you encounter any difficulties during assembly, please refer to the troubleshooting section or contact customer support.

## 4. OPERATING YOUR NIGHTSTAND

---

The FUFU&GAGA White Nightstand is designed for practical and versatile use in various home settings.

### 4.1. Drawer Usage

The three drawers are equipped with smooth slide rails for easy opening and closing. They provide ample storage for personal items, books, or other bedside essentials. To ensure longevity, avoid overloading the drawers beyond their reasonable capacity.



*Image 3: Drawers open, showcasing storage capacity.*

### 4.2. Placement and Stability

Place the nightstand on a flat, level surface to ensure maximum stability. The robust metal legs are designed to provide steady support. This versatile piece can be used as a bedside table, an end table next to a sofa, or as a general storage unit in a living room.



*Image 4: Detail of the sturdy metal legs.*

## 5. CARE AND MAINTENANCE

---

To maintain the appearance and longevity of your FUFU&GAGA White Nightstand, follow these care guidelines:

- **Cleaning:** Wipe surfaces with a soft, damp cloth. Avoid using harsh chemicals, abrasive cleaners, or polishes that may damage the finish.
- **Spills:** Promptly wipe up any spills to prevent staining or damage to the engineered wood.
- **Heat and Moisture:** Avoid placing hot items directly on the surface. Use coasters or protective pads. Keep the nightstand away from excessive moisture or direct sunlight to prevent warping or fading.
- **Hardware Check:** Periodically check and tighten all screws and fasteners to ensure the nightstand remains stable and secure.

## 6. TROUBLESHOOTING

---

If you encounter any issues with your nightstand, please refer to the following common solutions:

## 6.1. Drawers Not Sliding Smoothly

- **Check for Obstructions:** Ensure there are no items blocking the drawer's path or caught in the slides.
- **Verify Alignment:** Confirm that the drawer slides on both the drawer and the nightstand frame are correctly aligned and securely attached.
- **Lubrication:** A small amount of silicone-based lubricant can be applied to the drawer slides if they feel stiff.

## 6.2. Stability Issues

- **Level Surface:** Ensure the nightstand is placed on a completely flat and level floor.
- **Tighten Fasteners:** Re-check and tighten all screws and bolts, especially those connecting the legs and the main frame.

## 6.3. Missing or Damaged Parts

If you find any parts missing or damaged upon unpacking, do not proceed with assembly. Contact customer support immediately for assistance.

## 7. WARRANTY AND CUSTOMER SUPPORT

---

FUFU&GAGA stands behind the quality of its products. For any questions, concerns, missing parts, or warranty claims, please contact FUFU&GAGA customer service. Refer to the contact information provided in your product packaging or visit the official FUFU&GAGA store on Amazon for further assistance and support.

[Visit the FUFU&GAGA Store](#)