

Devoko 0771

Devoko 0771 2-Seater Velvet Sofa Bed Instruction Manual

Model: 0771 | Brand: Devoko

1. INTRODUCTION

This manual provides detailed instructions for the assembly, operation, and maintenance of your Devoko 0771 2-seater velvet sofa bed. Please read this manual carefully before assembly and use to ensure safe and proper operation. Keep this manual for future reference.



soft and Breathable



easy to clean



Multifunctional



5 gears adjustment



simple installation

Image: The Devoko 2-seater velvet sofa bed in a minimalist living room setting, showcasing its design.

2. SAFETY INFORMATION

- **Weight Limit:** Do not exceed the maximum weight capacity of 150 kg (330 lbs) for the sofa bed.
- **Assembly:** Assembly is required. Ensure all parts are correctly installed and securely fastened before use.
- **Children:** Keep children away from the assembly area. Small parts may pose a choking hazard.
- **Placement:** Place the sofa bed on a level, stable surface.

- **Moving:** When moving the sofa bed, lift it rather than dragging to prevent damage to the legs or floor.
- **Mechanism:** Exercise caution when converting the sofa to a bed or adjusting the backrest to avoid pinching fingers or clothing.

3. PACKAGE CONTENTS

Your Devoko sofa bed is typically delivered in two separate packages, which may arrive at different times. Please ensure all components are present before beginning assembly.

- Sofa Frame (main body)
- Seat Cushions
- Backrest Cushions
- Metal Legs
- Assembly Hardware (screws, bolts, washers)
- Instruction Manual



Shipped in **2 PACKAGES**
which may arrive at different times



Image: An illustration showing the sofa bed's dimensions and two delivery packages, indicating separate shipments.

4. ASSEMBLY INSTRUCTIONS

Follow the step-by-step illustrated guide provided in the package for quick and easy assembly. While the main assembly is designed to be tool-free, some connections may require a basic wrench (not included).

1. **Unpack:** Carefully remove all components from the packaging. Place them on a clean, soft surface to prevent scratches.
2. **Assemble Frame:** Connect the main frame components as per the diagram in the included guide. Ensure all locking mechanisms are engaged.
3. **Attach Legs:** Securely attach the metal legs to the base of the sofa frame.
4. **Place Cushions:** Position the seat and backrest cushions onto the assembled frame.
5. **Final Check:** Verify that all connections are tight and the sofa bed is stable before use.



Image: A four-panel diagram illustrating the mechanism for converting the sofa into a bed, showing the pull-out and unfolding steps.

5. OPERATING INSTRUCTIONS

5.1 Converting from Sofa to Bed

1. **Pull Out:** Gently pull the front section of the sofa outwards. The integrated wheels will facilitate smooth movement.
2. **Unfold:** Once extended, unfold the mattress section by pressing it down until it lies flat, creating a bed surface.



**High-density
Foam Cushion**



**Environmentally
friendly and sturdy**



Easy to clean



**Conveniently
holds cups**

Image: The sofa bed demonstrating its multi-purpose convertible design, transitioning from a compact sofa to an extended bed.

5.2 Adjusting the Backrest

The backrest offers 5 adjustable positions for customized comfort, suitable for various activities like reading, watching TV, or relaxing.

- **Positions:** The backrest can be adjusted to approximately 108°, 126°, 144°, 162°, and a fully flat 180° position.
- **Adjustment:** To adjust, slightly push the backrest forward to release the locking mechanism, then recline or raise it to your desired angle until it clicks into place.



This convertible sofa has 2 cup holders to hold drinks and snacks when you enjoy your leisure time on it.

VS



Our folding sofa bed with five adjustable backrest angles offers greater flexibility for a variety of scenarios.

Image: A visual guide demonstrating the ergonomic backrest adjustment with five distinct angles (90°, 108°, 126°, 144°, 162°, 180°).

5.3 Integrated Features

- **Cup Holders:** Utilize the two integrated cup holders on the armrests for beverages.
- **Side Pockets:** Store small items like remote controls or magazines in the side pockets.

Ergonomic backrest adjustment with Five modes

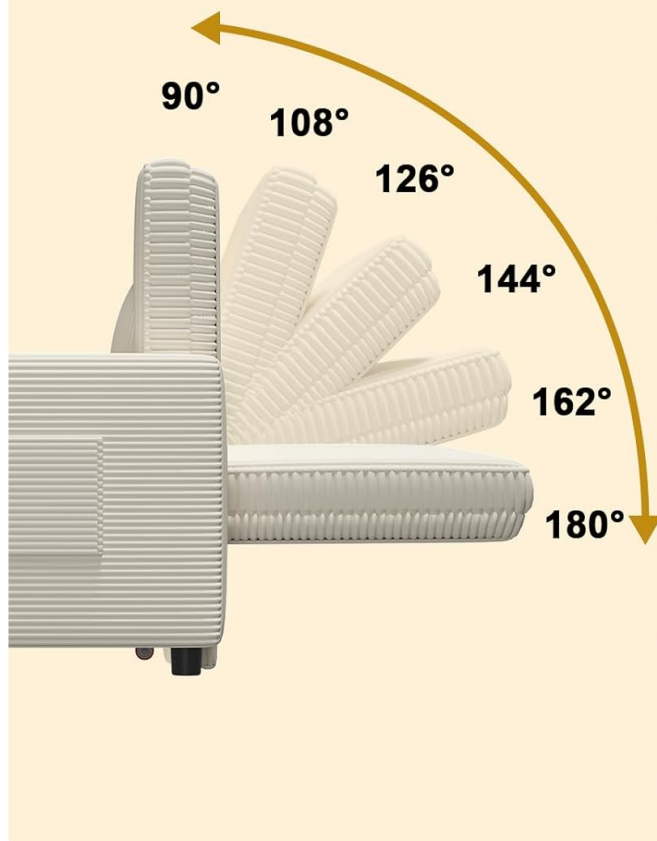


Image: A detailed view of the sofa bed's construction, emphasizing high-density foam, environmentally friendly and sturdy wood frame, easy-to-clean fabric, and integrated cup holders.

6. CARE AND MAINTENANCE

- **Cleaning:** Clean the velvet fabric with a damp cloth. For tougher stains, use a mild upholstery cleaner and follow the product instructions.
- **Avoid Harsh Chemicals:** Do not use abrasive cleaners or harsh chemicals, as these can damage the fabric and finish.
- **Vacuuming:** Regularly vacuum the sofa bed to remove dust and debris.
- **Spills:** Blot spills immediately with a clean, dry cloth. Do not rub.
- **Sunlight:** Avoid prolonged exposure to direct sunlight to prevent fading of the fabric.
- **Pet-Friendly Fabric:** The premium upholstery fabric is designed to be pet-friendly, but regular cleaning is still recommended to maintain its appearance.



Image: A Golden Retriever dog resting comfortably on the beige sofa bed, illustrating the pet-friendly nature of the upholstery.

7. TROUBLESHOOTING

- **Difficulty Converting:** If the sofa bed mechanism is stiff or difficult to operate, check for any obstructions (e.g., blankets, pillows) that might be hindering movement. Ensure the area around the sofa bed is clear.
- **Unstable Feeling:** If the sofa bed feels unstable, re-check all assembly connections. Tighten any loose screws or bolts. Ensure the sofa is placed on a flat, even surface.
- **Noise During Operation:** A slight noise during conversion is normal. If excessive squeaking occurs, check the metal frame connections for tightness.
- **Cushion Firmness:** The seat cushion is described as "Medio-firmo" (medium-firm). If you prefer a softer feel for extended use as a bed, a mattress topper can be added.

8. SPECIFICATIONS

Feature	Detail
Brand	Devoko
Model Number	0771
Type	2-Seater Sofa Bed
Color	Beige
Material	Velvet (Microfiber, polyester blend fabric), Engineered Wood Frame, Metal Legs, High-Density Foam Filling
Sofa Dimensions (D x L x H)	75P x 160L x 93H cm (29.5"D x 63"L x 36.6"H)
Bed Dimensions (D x L x H)	190D x 130L x 40H cm (74.8"D x 51.2"L x 15.7"H)
Seat Depth	60 cm (23.6")
Seat Height	40 cm (15.7")
Weight Capacity	150 kg (330 lbs)
Item Weight	67 kg (147.7 lbs)

Backrest Positions	5 adjustable positions
Assembly Required	Yes
Care Instructions	Clean with a damp cloth



MULTI-PURPOSE CONVERTIBLE DESIGN



Image: A comprehensive diagram displaying the dimensions of the sofa bed in both its sofa and fully extended bed configurations.

9. WARRANTY AND SUPPORT

Devoko is committed to providing high-quality products and customer satisfaction.

- **Returns:** This product is returnable within 30 days of receipt. Please refer to the retailer's return policy for specific details.
- **Customer Support:** For any questions, concerns, or assistance, please contact our 24-hour email support. We aim to provide quick solutions to all inquiries.
- **Contact Information:** Please refer to your purchase documentation or the Devoko official website for the most current customer support contact details.

