

Berserker 65F

Berserker 30-Pound Demolition Jack Hammer Model 65F User Manual

Comprehensive instructions for safe and effective operation.

1. INTRODUCTION

Thank you for choosing the Berserker 30-Pound Demolition Jack Hammer Model 65F. This powerful tool is designed for heavy-duty demolition tasks, offering high impact energy and robust construction. To ensure safe and efficient operation, please read this manual thoroughly before use and retain it for future reference.

2. SAFETY INSTRUCTIONS

Always observe basic safety precautions to reduce the risk of fire, electric shock, and personal injury. Keep this manual for future reference.

- **Work Area Safety:** Keep the work area clean and well-lit. Do not operate power tools in explosive atmospheres, such as in the presence of flammable liquids, gases, or dust.
- **Electrical Safety:** Power tool plugs must match the outlet. Never modify the plug. Avoid body contact with earthed or grounded surfaces. Do not expose power tools to rain or wet conditions.
- **Personal Safety:** Always wear eye protection, hearing protection, and heavy-duty gloves. Use a dust mask if operations create dust. Dress properly; avoid loose clothing or jewelry.
- **Tool Use and Care:** Do not force the power tool. Use the correct power tool for your application. Disconnect the plug from the power source before making any adjustments, changing accessories, or storing power tools.
- **Vibration:** Prolonged use can cause vibration-related injuries. Take regular breaks and use anti-vibration gloves.
- **Stability:** Ensure a stable footing and maintain balance at all times during operation.

3. PACKAGE CONTENTS

Upon unpacking, verify that all items listed below are present and undamaged:

- Berserker 30-Pound Demolition Jack Hammer Model 65F
- 1-3/16" Hex Point Chisel (1 pc)

- 1-3/16" Hex Flat Chisels (3 pcs)
- Auxiliary Handle (pre-attached or separate)
- Hex Wrenches (2 pcs)
- Wrench (for grease cap)
- Grease Tube
- Carbon Brushes (2 pcs, spare)
- Carrying Case



Image 3.1: Berserker Demolition Jack Hammer with all included accessories, including chisels, wrenches, grease, and carrying case.

4. PRODUCT OVERVIEW

Familiarize yourself with the components of your demolition jack hammer:



Image 4.1: Key components of the Berserker Demolition Jack Hammer.

1. **360° Adjustable Handle:** Provides ergonomic grip and control from various angles.
2. **Vibration Control System:** Designed to reduce operational vibration and user fatigue.
3. **Hex Tool-Free System:** Allows for quick and easy chisel changes without additional tools.
4. **External Grease Filler:** Access point for lubricating the hammer mechanism.
5. **Lock-On Button:** Engages continuous operation, reducing strain during extended use.
6. **ON/OFF Switch:** Controls power to the tool.
7. **Replaceable Carbon Brush Access:** Covers for accessing and replacing carbon brushes.

5. SETUP

5.1 Attaching the Auxiliary Handle

The auxiliary handle can be adjusted 360 degrees for optimal control and comfort. Loosen the handle clamp, position the

handle as desired, and securely tighten the clamp.

5.2 Installing Chisels

1. Ensure the tool is unplugged from the power source.
2. Pull back the collar of the Hex Tool-Free System.
3. Insert the desired 1-3/16" hex chisel firmly into the chuck until it clicks into place.
4. Release the collar. Gently pull on the chisel to ensure it is securely locked.





Image 5.1: Dimensions of the included 1-3/16" hex chisels.

5.3 Power Connection

Connect the power cord to a suitable grounded electrical outlet. Ensure the voltage matches the tool's requirements.

6. OPERATING INSTRUCTIONS

6.1 Starting and Stopping

- To start the tool, press the ON/OFF switch.
- For continuous operation, press the ON/OFF switch and then engage the Lock-On Button.
- To stop the tool, release the ON/OFF switch. If the Lock-On Button is engaged, press the ON/OFF switch again to disengage it.

6.2 Demolition Techniques

Apply firm, steady pressure to the tool. Allow the hammer to do the work; excessive force is not necessary and can reduce efficiency and increase wear. Start with a point chisel for initial penetration and switch to a flat chisel for wider breaking or chipping.

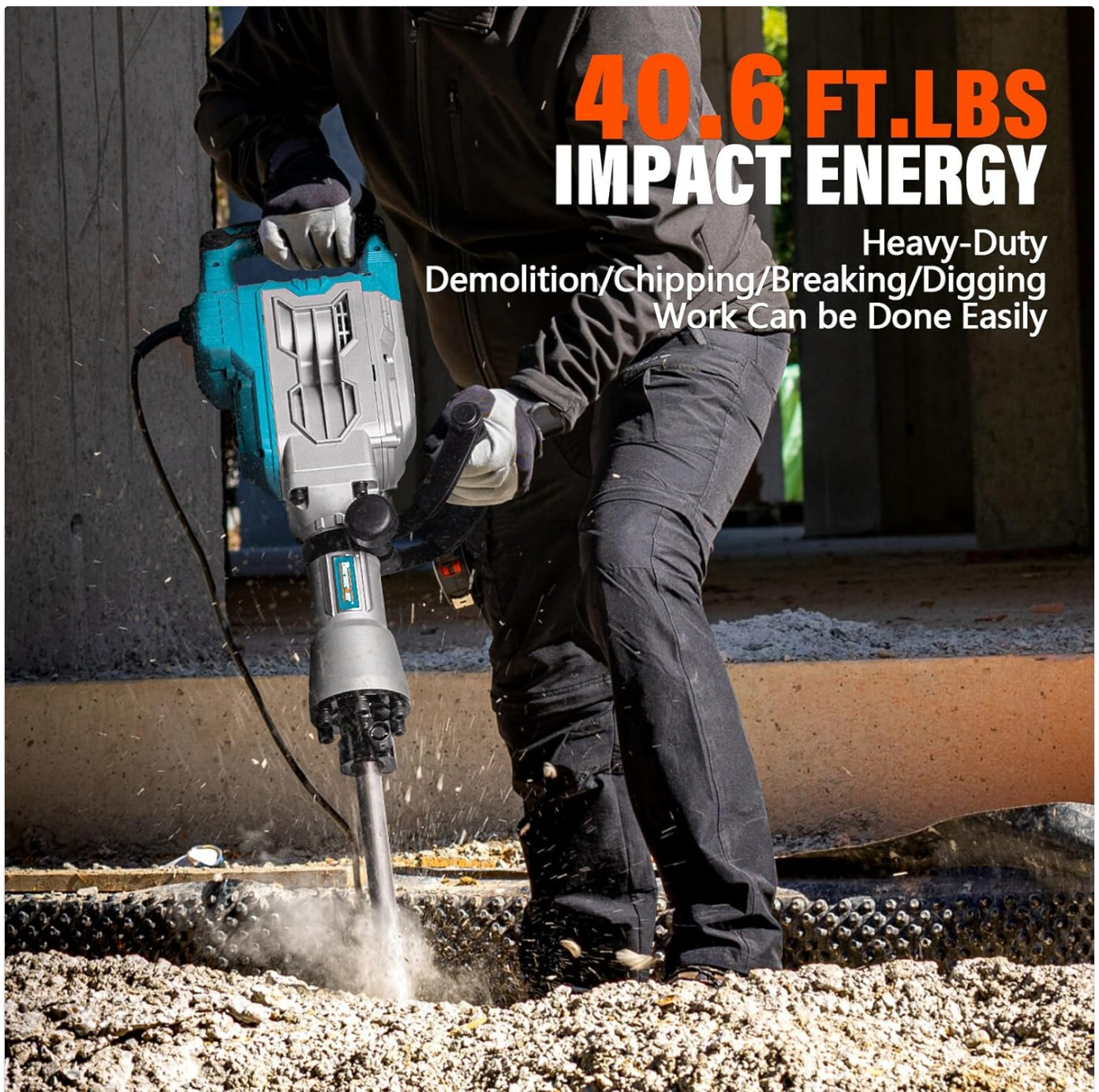
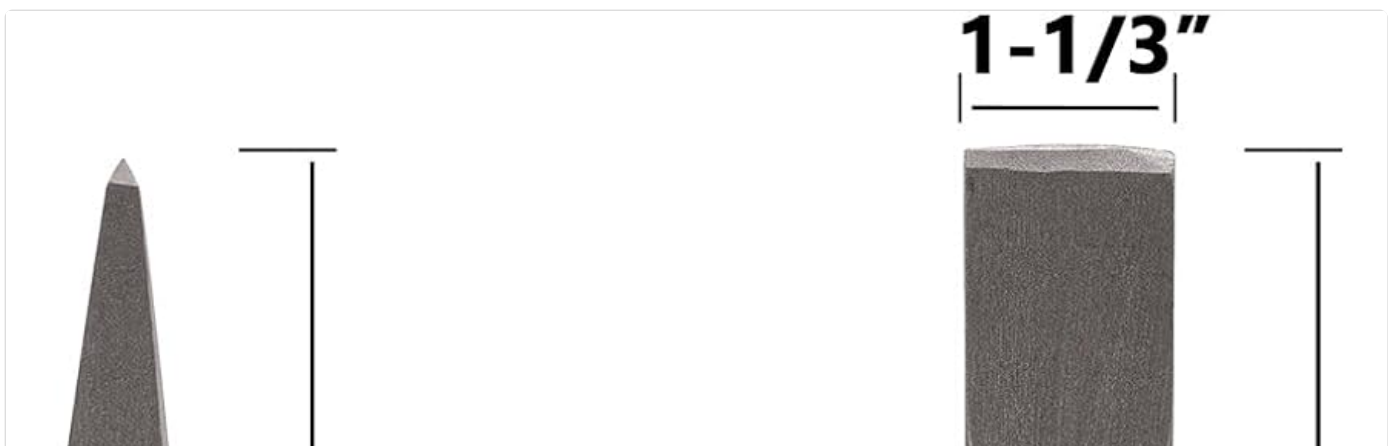


Image 6.1: Proper posture and technique for operating the demolition hammer.

6.3 Vibration Control

The tool features an Anti-Vibration Technology to minimize user fatigue. However, for prolonged tasks, take regular breaks and use appropriate personal protective equipment, such as anti-vibration gloves.



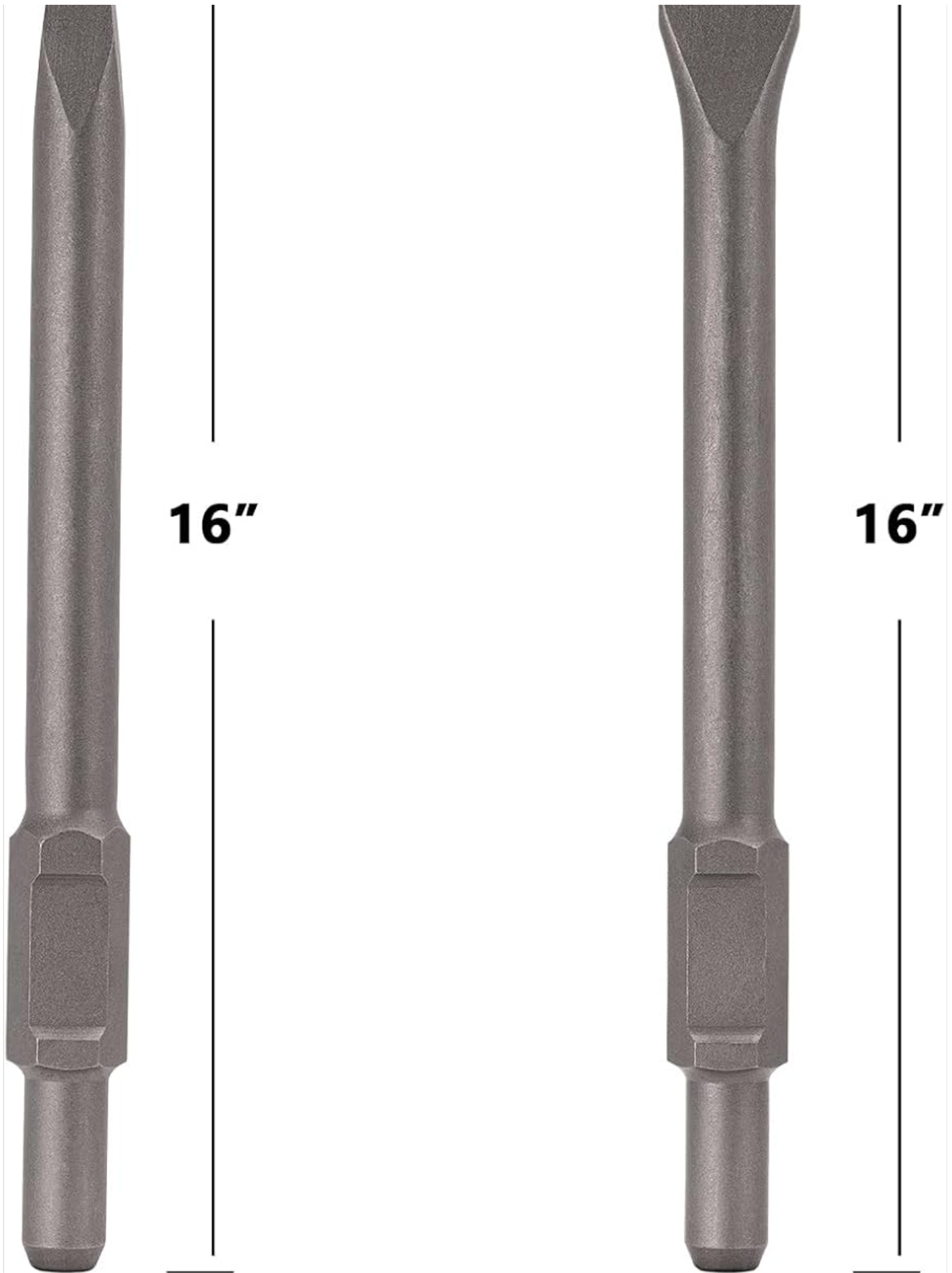


Image 6.2: Internal view highlighting the vibration control system.

7. MAINTENANCE

Regular maintenance ensures the longevity and optimal performance of your tool. Always unplug the tool before performing any maintenance.

7.1 Lubrication (Greasing)

The hammer mechanism requires periodic lubrication. Locate the External Grease Filler cap, unscrew it using the provided wrench, and apply a small amount of the supplied grease. Re-secure the cap tightly.

7.2 Carbon Brush Replacement

Carbon brushes wear down over time and need replacement. When the tool's performance decreases or it stops working, the brushes may need to be checked. Unscrew the brush covers (located near the motor housing), remove the old brushes, and insert the new ones (2 pcs spare included). Ensure they are seated correctly before replacing the covers.

7.3 Cleaning

Keep the ventilation openings clean and free from dust and debris. Use a dry cloth to wipe down the tool after each use. Do not use harsh chemicals or abrasive cleaners.

8. TROUBLESHOOTING

Problem	Possible Cause	Solution
Tool does not start	No power supply; Faulty ON/OFF switch; Worn carbon brushes	Check power connection; Test outlet; Replace carbon brushes
Reduced impact power	Insufficient lubrication; Worn chisel; Worn carbon brushes	Apply grease; Replace chisel; Replace carbon brushes
Excessive vibration	Loose chisel; Internal component issue	Ensure chisel is securely locked; Contact customer support if issue persists
Overheating	Blocked ventilation; Prolonged heavy use	Clean ventilation openings; Allow tool to cool down; Reduce load

9. SPECIFICATIONS

Feature	Specification
Model	65F
Power Input	1700 Watts / 14 AMP
Impact Energy	55 Joules (40.6 ft.lbs.)
Impact Rate	1,900 BPM
Chisel Type	1-3/16" (30mm) Hex Shank
Weight	Approximately 30 lbs

10. WARRANTY AND SUPPORT

The Berserker 30-Pound Demolition Jack Hammer Model 65F comes with a **24-month warranty service** from the date of purchase. This warranty covers defects in materials and workmanship under normal use.

For warranty claims, technical support, or any questions regarding your product, please contact Berserker customer service through the retailer where the product was purchased or visit the official Berserker website for contact information. Please have your purchase receipt and product model number (65F) available when contacting support.

