

umoven B0F4KMPXCQ

umoven Smart Tracker Tag User Manual

Model: B0F4KMPXCQ

1. INTRODUCTION

The umoven Smart Tracker Tag is a compact and lightweight item locator designed to help you keep track of your valuable belongings. Utilizing Apple's 'Find My' network, this tag allows you to locate items within Bluetooth range or view their last known location on a map, leveraging billions of iOS devices worldwide. It is compatible with iOS devices running iOS 14.6 or above.

This manual provides essential information for setting up, operating, and maintaining your Smart Tracker Tag to ensure optimal performance and longevity.

2. SAFETY INFORMATION

- **Battery Warning:** This product contains a button cell or coin battery. A swallowed button cell or coin battery can cause internal chemical burns and can lead to death in as little as 2 hours. Keep new and used batteries OUT OF REACH OF CHILDREN. Seek immediate medical attention if a battery is suspected to be swallowed or placed inside any part of the body.
- Do not attempt to disassemble, repair, or modify the device.
- Avoid exposing the device to extreme temperatures or direct sunlight for prolonged periods.
- Dispose of batteries and the device according to local regulations.

3. PRODUCT FEATURES

- **Apple Find My Network Compatibility:** Seamlessly integrates with Apple's 'Find My' app for global tracking (iOS 14.6+ only).
- **Play Sound Feature:** Locate nearby items by playing a sound from the tag within Bluetooth range (up to 60m/200ft).
- **Left Behind Remind:** Receive instant notifications on your iOS device if you leave your tagged item behind.
- **Lost Mode:** Mark your item as lost in the 'Find My' app to receive location updates when detected by other devices on the network.
- **Replaceable Battery:** Powered by a CR2032 battery with up to one year of life, easily replaceable.
- **IP67 Waterproof & Dustproof:** Designed to withstand splashes, rain, and brief submersion.

- **Compact & Lightweight:** Weighs only 6 grams, ideal for keys, wallets, backpacks, luggage, and more.
- **Privacy Protection:** All communication with the 'Find My' network is anonymous and encrypted. Location data and historical records are not stored on the tag.

4. PACKAGE CONTENTS

Your umoven Smart Tracker Tag package includes:

- umoven Smart Tracker Tags (5-pack, Black)
- Keyrings (5 included)
- Lanyards/Straps (5 included)
- CR2032 Batteries (pre-installed in each tag)
- User Manual



Image: Five black umoven Smart Tracker Tags, keyrings, and lanyards included in the package.

5. SETUP

5.1. Initial Pairing with iOS Device

To pair your umoven Smart Tracker Tag with your iOS device, follow these steps:

1. Ensure your iOS device (iPhone, iPad) is running iOS 14.6 or above and has Bluetooth enabled.
2. Open the 'Find My' app on your iOS device.
3. Navigate to the 'Items' tab.
4. Tap '+ Add Item' and then select 'Other Supported Item'.
5. Press and hold the button on your umoven Smart Tracker Tag for 5 seconds until you hear a confirmation sound.
6. Follow the on-screen instructions in the 'Find My' app to complete the pairing process. You can name your tag to easily identify the item it's tracking.



Image: Visual guide for pairing the umoven Smart Tracker Tag with the 'Find My' app.

5.2. Attaching the Tracker Tag

Use the included keyrings or lanyards to securely attach the Smart Tracker Tag to your desired items:

- For keys: Attach the keyring through the small hole on the tag and then to your key set.
- For bags/luggage: Use a keyring or lanyard to secure the tag to a zipper, handle, or internal loop.
- For wallets: The slim design allows the tag to be placed inside a wallet or cardholder.



Image: Examples of attaching the Smart Tracker Tag to everyday items like keys, wallets, and backpacks.

6. OPERATING INSTRUCTIONS

6.1. Locating Items with 'Play Sound'

When your item is within Bluetooth range (approximately 60m/200ft), you can make the tag play a sound to help you find it:

1. Open the 'Find My' app on your iOS device.
2. Select the 'Items' tab.
3. Tap on the name of the tracker tag you wish to locate.
4. Tap the 'Play Sound' button. The tag will emit a loud beep (80-100 dB) to guide you to its location.
5. Tap 'Stop Sound' once you have found your item.

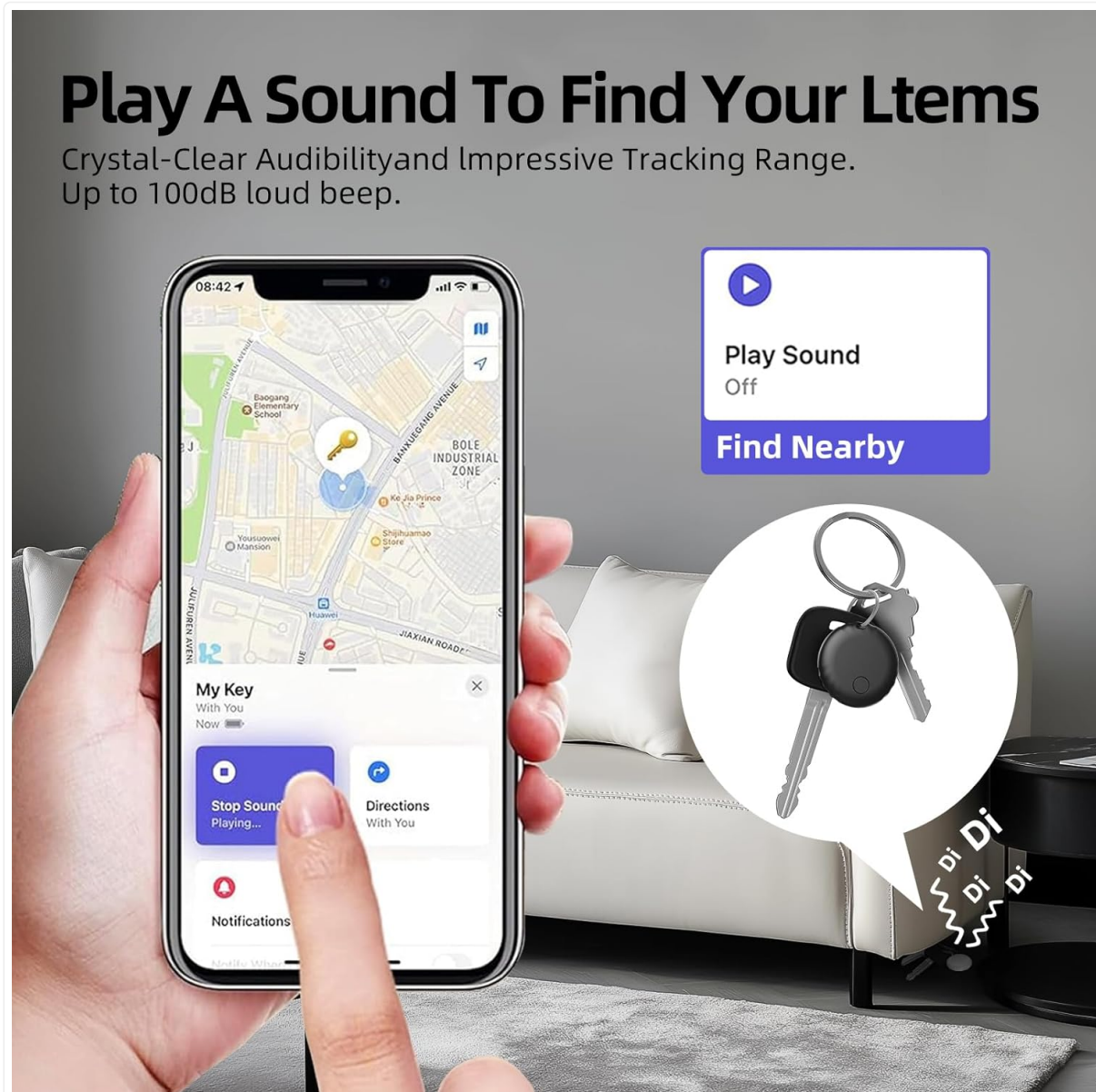


Image: Using the 'Play Sound' feature in the 'Find My' app to locate keys with an attached Smart Tracker Tag.

6.2. Location Tracking

For items outside Bluetooth range, the 'Find My' network provides location updates:

- The 'Find My' app will display the tag's last known location on a map.
- If the tag comes within range of any iOS device on the 'Find My' network, its location will be updated automatically and anonymously.

6.3. Left Behind Remind

To receive alerts when you leave an item behind:

1. In the 'Find My' app, select your tracker tag.
2. Enable the 'Notify When Left Behind' feature.
3. You will receive a notification on your iOS device if the tag disconnects from your Bluetooth-enabled device, indicating it has been left behind.

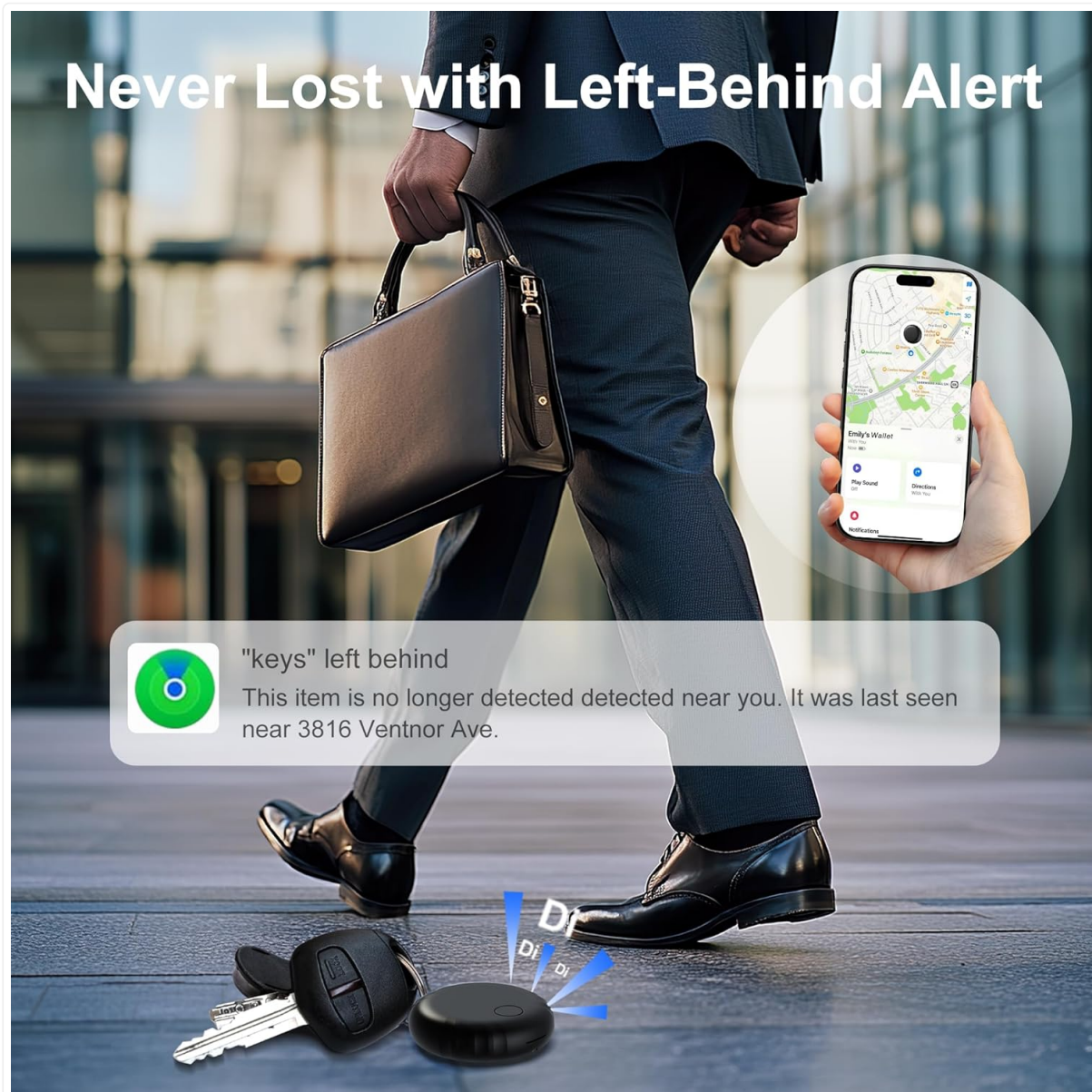


Image: An example of a 'Left Behind' notification appearing on an iPhone when the Smart Tracker Tag is out of range.

6.4. Lost Mode

If your item is lost, you can activate Lost Mode:

1. In the 'Find My' app, select your tracker tag.
2. Activate 'Lost Mode'.
3. You can enter a contact phone number and a message that will be displayed to anyone who finds your tag and scans it with an NFC-enabled smartphone.
4. You will be notified when your lost item is located by another device on the 'Find My' network.

6.5. Sharing Items

You can share the location of your tracker tag with friends and family (requires iOS 17 or above):

1. In the 'Find My' app, select your tracker tag.
2. Tap 'Share This Item' and follow the prompts to invite others to view its location.



Image: The Smart Tracker Tag can be shared with trusted contacts via the 'Find My' app.

Your browser does not support the video tag.

Video: An overview of the umoven Smart Tracker Tag's features and how it works with the 'Find My' app.

7. MAINTENANCE

7.1. Battery Replacement

The umoven Smart Tracker Tag uses a replaceable CR2032 coin cell battery. The battery life is approximately one year. You can check the battery status within the 'Find My' app.

To replace the battery:

1. Locate the small groove on the side of the tracker tag.
2. Carefully open the tag by twisting the two halves or using a small tool in the groove (refer to product packaging for specific opening mechanism).
3. Remove the old CR2032 battery.
4. Insert a new CR2032 battery with the positive (+) side facing up.
5. Align the two halves of the tag and twist or press firmly to close it securely.

7.2. Cleaning

Wipe the tracker tag with a soft, dry cloth. Avoid using harsh chemicals or abrasive materials that could damage the device.

7.3. Water and Dust Resistance

The tag is IP67 rated, meaning it is resistant to dust and can withstand immersion in water up to 1 meter for up to 30 minutes. However, it is not recommended for prolonged submersion or use during water sports. Ensure the tag is properly sealed after battery replacement to maintain its water resistance.

8. TROUBLESHOOTING

- **Tag not pairing:** Ensure your iOS device's Bluetooth is on and it's running iOS 14.6 or higher. Press and hold the tag's button for 5 seconds until it beeps to enter pairing mode. Try restarting your iOS device.
- **No sound from tag:** Check the battery level in the 'Find My' app. Ensure the tag is within Bluetooth range of your iOS device.
- **Inaccurate location:** Location accuracy depends on the 'Find My' network. In areas with fewer iOS devices, updates may be less frequent. Ensure your tag has a clear line of sight to the sky for optimal GPS signal reception (though it primarily uses Bluetooth and nearby iOS devices for location).
- **Battery draining quickly:** Ensure the tag is not constantly searching for a connection in areas with poor signal. Replace the battery if it's old.

9. SPECIFICATIONS

Feature	Detail
Product Dimensions	0.55 x 3.9 x 2.7 inches
Item Weight	1.44 ounces
Battery Type	1 CR2032 battery (included)
Connectivity	Bluetooth
Water Resistance	IP67
Material	Plastic, Polycarbonate (PC)
Compatible Devices	iPhone, iPad (iOS 14.6 and above)

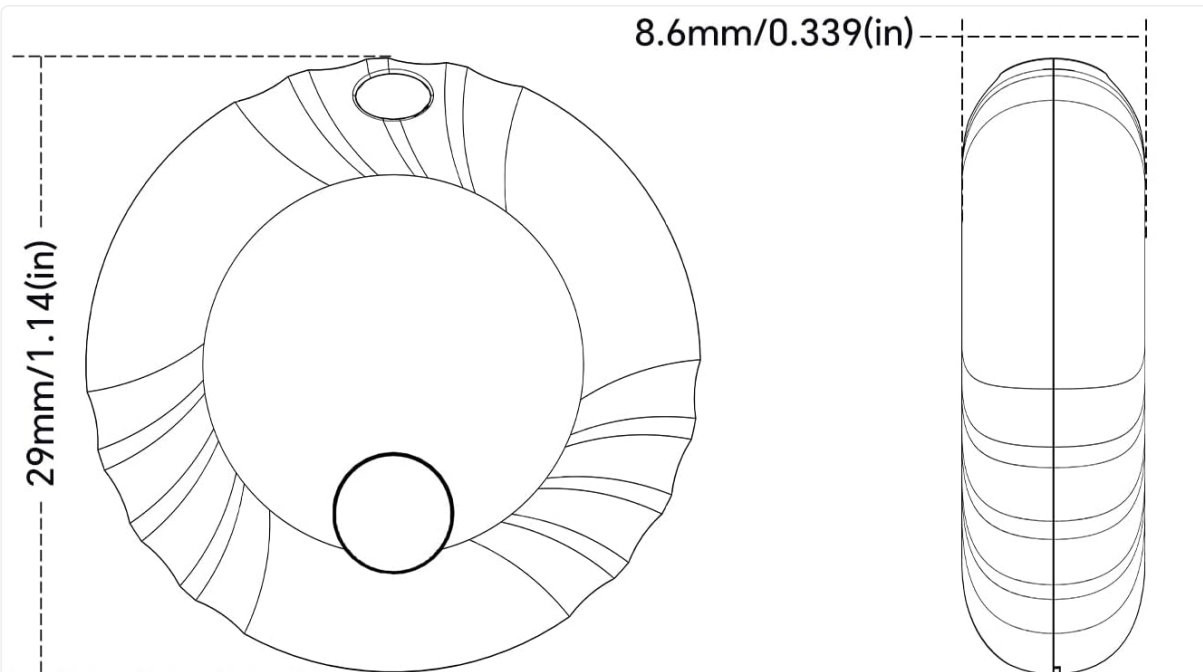


Image: Detailed specifications and features of the umoven Smart Tracker Tag.

10. WARRANTY AND SUPPORT

For warranty information or technical support, please contact umoven customer service. Refer to the product packaging or the official umoven website for contact details.