



[Manuals.plus](#) /

› [Chrangmay](#) /

› Chrangmay Modern 9-Drawer Chest Instruction Manual

Chrangmay dougui

Chrangmay Modern 9-Drawer Chest Instruction Manual

Model: dougui | Walnut Finish

[Contents](#) [Assembly](#) [Operation](#) [Maintenance](#) [Troubleshooting](#) [Specifications](#) [Support](#)

[Overview](#) [Safety Information](#) [Package](#)

1. PRODUCT OVERVIEW

This manual provides detailed instructions for the assembly, operation, and maintenance of your Chrangmay Modern 9-Drawer Chest. Designed for versatile storage, this unit features a modern aesthetic with a durable walnut finish and ample space for organizing various items in your living room, bedroom, hallway, or other areas.



Figure 1: Chrangmay Modern 9-Drawer Chest, Walnut.

2. SAFETY INFORMATION

Please read all safety warnings and instructions carefully before assembly and use. Failure to follow these instructions may result in injury or damage to the product.

2.1 Anti-Tipping Device

To prevent serious injury from furniture tipping over, this chest of drawers must be securely attached to the wall using the provided anti-tipping device. Always install the anti-tipping device as instructed.



Figure 2: Anti-tip device installation to prevent tipping.

- Never allow children to climb or hang on drawers, doors, or shelves.
- Place the heaviest items in the lowest drawers.
- Do not place heavy objects on top of the chest unless it is securely anchored.
- Ensure all drawers are closed when not in use.

3. PACKAGE CONTENTS

Verify that all components are present before beginning assembly. If any parts are missing or damaged, please contact customer support.

- 9 Drawers Dresser (1 unit)
- Accessory Packs (1 set, containing hardware)
- Installation Instructions (1 manual)
- Middle leg (2 units)
- U-shaped legs (2 units)

- Anti-tipping device (1 set)

4. ASSEMBLY INSTRUCTIONS

This product requires self-assembly. The assembly process is designed to be straightforward with clear, concise instructions provided in the included manual. Please follow the steps carefully.

4.1 Preparation

- Clear a spacious area for assembly.
- Lay out all components and hardware, comparing them against the package contents list.
- Gather necessary tools (e.g., screwdriver, hammer - not included unless specified).

4.2 Step-by-Step Assembly

Refer to the dedicated 'Installation Instructions' manual included in your package for detailed, illustrated steps. Key steps include:

1. Assemble the main frame of the chest.
2. Attach the U-shaped legs and middle legs to the base. Ensure adjustable feet are oriented correctly.
3. Assemble each of the 9 drawers, ensuring smooth sliding rails are correctly installed.
4. Insert the assembled drawers into the chest frame.
5. Install the anti-tipping device to a wall stud or appropriate anchor point.



Walnut finish

The natural beauty of wood

Solid and substantial, warm yet full of character



Stain-resistant



distinct grain



Wear-resistant

Figure 3: Sturdy metal legs provide stable support.



Figure 4: Adjustable feet for stability on various floor types.

5. OPERATION

Your Chrangmay 9-Drawer Chest is designed for easy and efficient storage.

5.1 Using the Drawers

The 9 drawers slide easily on ball bearings, allowing for effortless opening and closing. Each drawer has a load capacity of approximately 30 lbs. The spacious design accommodates various items, from clothing to household essentials.

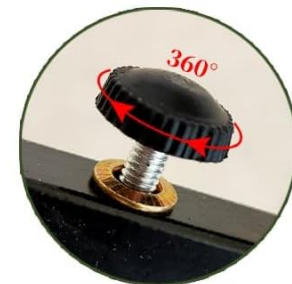
Exquisite details speak to the quality



Smooth sliding rails



Sturdy metal legs



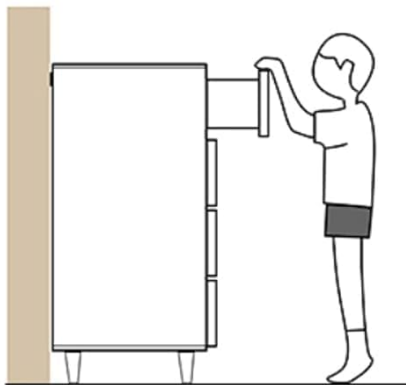
Adjustable feet

Figure 5: Open drawers demonstrating ample storage space.



Anti-tip device

✓ Properly install
the anti-tip device



✗ Failure to install
the anti-tip device

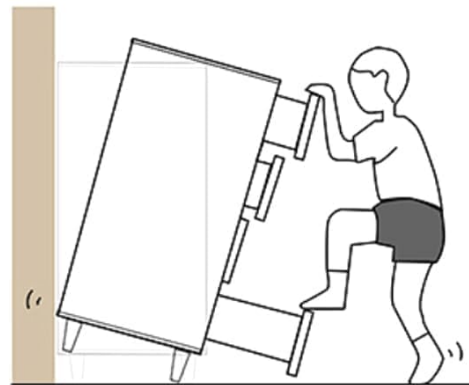


Figure 6: Smooth sliding rails ensure easy drawer operation.

5.2 Placement and Usage

This versatile chest can be used in various settings:

- **Bedroom:** Ideal for organizing clothes, linens, and personal items.
- **Living Room:** Can serve as a stylish storage cabinet or media console, supporting TVs up to 75 inches.
- **Hallway/Entryway:** Perfect for storing keys, mail, and other daily necessities.
- **Children's Room/Nursery:** Provides safe and accessible storage for toys and baby essentials, especially with the anti-tip device installed.

Product Dimensions

Each drawer has a load capacity of: 30 lbs.

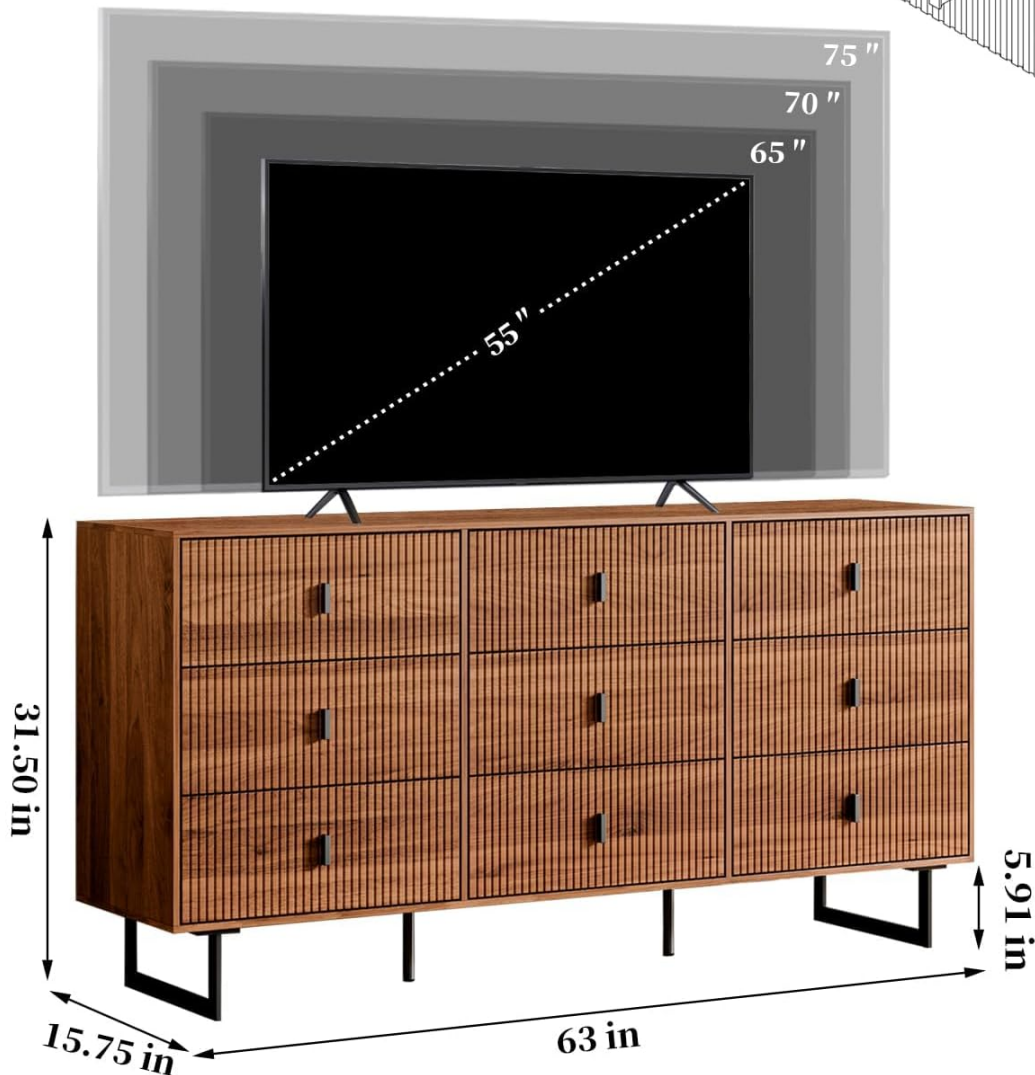
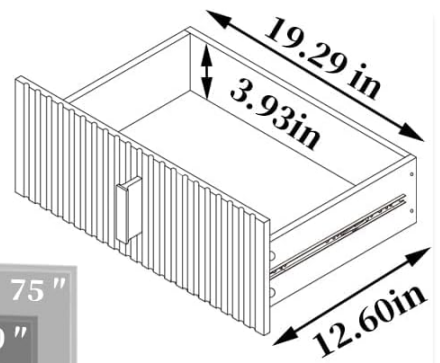


Figure 7: Dresser functioning as a media console in a living room.

6. CARE AND MAINTENANCE

To ensure the longevity and appearance of your Changmay 9-Drawer Chest, follow these care guidelines:

- **Cleaning:** Wipe with a dry cloth. For minor spills, a lightly damp cloth can be used, followed immediately by a dry cloth. Avoid harsh chemicals or abrasive cleaners.
- **Material:** The dresser is constructed from scratch-resistant, moisture-resistant MDF boards.
- **Protection:** Avoid direct sunlight and extreme temperature changes to prevent warping or fading.
- **Hardware:** Periodically check and tighten all screws and fasteners to maintain structural integrity.



Figure 8: Detail of the durable walnut finish and modern reeded drawer front.

7. TROUBLESHOOTING

If you encounter any issues with your chest of drawers, refer to the following common solutions:

Problem	Possible Cause	Solution
Drawers do not close smoothly or are misaligned.	Incorrect installation of drawer slides or uneven assembly.	Ensure drawer slides are installed correctly and aligned. Check that the chest frame is assembled squarely and all fasteners are tightened. Adjust the adjustable feet to level the unit.
Chest feels wobbly or unstable.	Uneven floor surface or loose connections.	Adjust the adjustable feet at the bottom of the legs to level the chest. Tighten all assembly screws. Ensure the anti-tipping device is securely installed.

Problem	Possible Cause	Solution
Missing parts or damaged components upon arrival.	Shipping damage or packaging error.	Do not proceed with assembly. Contact Chrangmay customer service immediately for assistance and replacement parts.

8. PRODUCT SPECIFICATIONS

Feature	Detail
Brand	Chrangmay
Model Name	dougui
Material	Engineered Wood (MDF)
Finish Type	Polished, Walnut
Product Dimensions (D x W x H)	15.75" x 63" x 31.5" (40cm x 160cm x 80cm)
Number of Drawers	9
Drawer Load Capacity	Approx. 30 lbs per drawer
Item Weight	52 Pounds (23.6 kg)
Required Assembly	Yes
Additional Features	Adjustable Feet, Anti-Tipping Device
Product Care Instructions	Wipe with Dry Cloth



Figure 9: Detailed product dimensions.

9. WARRANTY AND CUSTOMER SUPPORT

Chrangmay is committed to providing high-quality products and excellent after-sales service. If you encounter any product problems, have questions about assembly, or require replacement parts, please contact our customer

support team.

9.1 Contact Information

Please refer to the contact details provided in your purchase documentation or visit the official Chrangmay website for support.

9.2 Return Policy

This product is eligible for a 30-day easy return policy. Please refer to your retailer's specific return guidelines for more information.