



[Manuals.plus](#) /

› [Messenya](#) /

› Messenya D-204 Modern 6-Drawer Dresser Instruction Manual

Messenya D-204

Messenya D-204 Modern 6-Drawer Dresser Instruction Manual

Model: D-204 | Brand: Messenya

1. INTRODUCTION

This instruction manual provides detailed guidance for the assembly, operation, and maintenance of your Messenya D-204 Modern 6-Drawer Dresser. Please read this manual thoroughly before beginning assembly or use to ensure proper setup and to maximize the lifespan of your product.



Image 1.1: Front view of the Messenya D-204 Modern 6-Drawer Dresser.

2. SAFETY INFORMATION

Please observe the following safety precautions to prevent injury or damage to the product:

- Always assemble the dresser on a soft, clean surface to prevent scratches.
- Ensure all screws and fasteners are securely tightened before use. Periodically check and re-tighten as necessary.
- Do not allow children to climb on or play with the dresser.
- For stability, it is recommended to anchor the dresser to a wall using the provided anti-tip kit (if included).
- Do not overload drawers. Distribute weight evenly.
- Keep small parts away from children during assembly.

3. PACKAGE CONTENTS

Verify that all components are present before beginning assembly. If any parts are missing or damaged, please contact customer support.

3.1. Parts List

- Dresser Frame Panels (Top, Bottom, Sides, Back)
- Drawer Fronts (6 units)
- Drawer Side Panels (12 units)
- Drawer Back Panels (6 units)
- Drawer Bottom Panels (6 units)
- Drawer Slides (12 pairs)
- Handles (6 units)
- Assembly Hardware (Screws, dowels, cam locks, pre-embedded slots)
- Anti-Tip Kit

3.2. Tools Required (Not Included)

- Phillips Head Screwdriver
- Hammer (for dowels)
- Electric Screwdriver (recommended for ease of assembly)

4. SETUP AND ASSEMBLY INSTRUCTIONS

Assembly is designed to be straightforward with clearly labeled components and pre-embedded slots for enhanced connection strength. Follow these steps carefully.

4.1. Prepare the Workspace

Clear a spacious area and lay out all parts on a soft, clean surface (e.g., a blanket or cardboard) to prevent damage.

4.2. Assemble the Main Frame

1. Attach the side panels to the bottom panel using the specified hardware. Ensure the pre-embedded slots align correctly.
2. Secure the top panel to the assembled sides. The curved anti-collision design should face forward.
3. Install the back panel to complete the main frame structure.



Pre-set slots at each hole make installation easy and keep it sturdy.

Image 4.1: Detail of a pre-embedded slot, designed for easier and more secure assembly.

4.3. Install Drawer Slides

Attach the drawer slides to the interior of the dresser frame and to the drawer side panels. Ensure they are level and facing the correct direction for smooth operation. The three-section silent sliding rails are designed for durability and smooth movement.

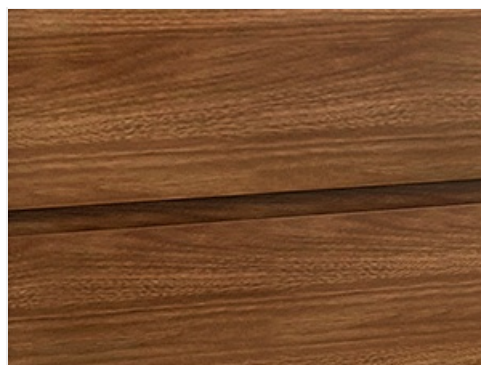


Image 4.2: View of the three-section silent sliding rail for smooth drawer operation.

4.4. Assemble the Drawers

1. Connect the drawer side, back, and front panels.
2. Slide the drawer bottom panel into the grooves.
3. Attach the electroplated handles to the drawer fronts. The dresser features a handleless design with recessed pulls for a clean aesthetic.



Smooth Curved Edge

Elegant curved lines blend in with the dresser for a simple and generous look

Metal rails

durability and smoothness



Handleless Design

Remove excess hardware and pull out in a simpler recessed style for a more aesthetically pleasing cabinet



Image 4.3: Key design elements: smooth curved edge, durable metal rails, and the integrated handleless drawer design.

4.5. Insert Drawers and Finalize

1. Carefully insert each assembled drawer into its respective slot, ensuring the slides engage properly.
2. Install the anti-tip kit to a wall stud to prevent accidental tipping. This is a critical safety step.



Image 4.4: The dresser with drawers open, illustrating the ample storage capacity for various items.

5. OPERATING INSTRUCTIONS

5.1. Drawer Usage

The 6 smooth-gliding drawers are designed for easy access. To open, gently pull the recessed area on the drawer front. To close, push firmly until the drawer is fully seated. Avoid forcing drawers open or closed.

5.2. Weight Capacity

Distribute items evenly within drawers. The spacious tabletop can hold decorative items, lamps, or serve as a TV stand. Do not exceed the recommended weight capacity for the tabletop or individual drawers to ensure stability and longevity.



Rounded corners prevent bumps.

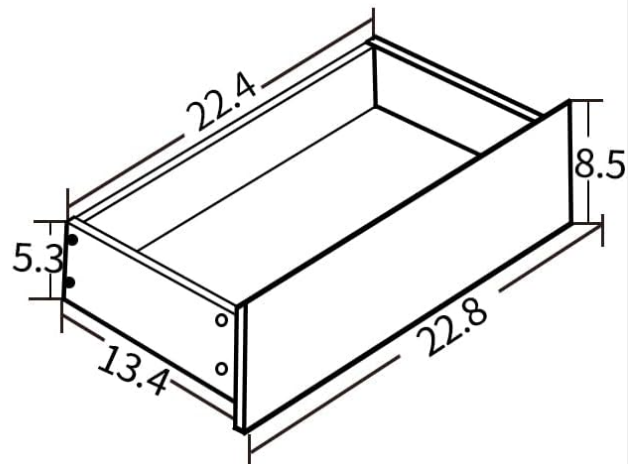


Image 5.1: Dimensions of the Messenya D-204 Dresser: 15.7 inches deep, 47.2 inches wide, and 30.7 inches high.

6. MAINTENANCE

6.1. Cleaning

- For general cleaning, wipe the surface with a soft, dry cloth.
- For spills or stubborn marks, use a damp cloth with a mild, non-abrasive cleaner. Immediately wipe dry with a clean cloth to prevent water damage.
- Avoid harsh chemicals or abrasive cleaning materials, as these can damage the finish.

6.2. General Care

- Keep the dresser away from direct sunlight and extreme temperature changes to prevent warping or fading.
- Periodically check all hardware connections and tighten if necessary to maintain structural integrity.

7. TROUBLESHOOTING

Problem	Possible Cause	Solution
Drawers do not slide smoothly.	<ul style="list-style-type: none"> Drawer slides are misaligned. Obstruction in the slide mechanism. Overloaded drawer. 	<ul style="list-style-type: none"> Re-align drawer slides on both the drawer and the frame. Check for and remove any debris. Reduce the weight in the drawer.
Dresser feels wobbly.	<ul style="list-style-type: none"> Hardware is loose. Dresser is not level on the floor. 	<ul style="list-style-type: none"> Tighten all assembly screws. Adjust furniture glides or place shims under the feet to level.
Parts missing or damaged during assembly.	<ul style="list-style-type: none"> Shipping damage or packaging error. 	<ul style="list-style-type: none"> Contact Messenya customer service for replacement parts.

8. SPECIFICATIONS

Feature	Detail
Brand	Messenya
Model Name	D-204
Product Dimensions	15.7"D x 47.2"W x 30.7"H
Number of Drawers	6
Color	Brown
Material	E1-grade MDF, Natural Rubber Wood
Item Weight	130 Pounds
Assembly Required	Yes
Special Features	Curved Anti-Collision Design, Pre-Embedded Slots, Three-section Silent Sliding Rails, Handleless Design

9. CUSTOMER SUPPORT AND WARRANTY

Messenya is committed to providing excellent customer service. If you encounter any issues with your D-204 dresser, require replacement parts, or have questions regarding assembly or use, please contact our dedicated customer service team.

Your product is protected during shipping with foam padding and a 5-layer thickened cardboard box. For specific warranty details, please refer to the documentation included with your purchase or the official Messenya website for the most current customer service contact details.

