



[Manuals.plus](#) /

> [QVUUOU](#) /

> QVUUOU Grounded Upholstered Platform Bed Instruction Manual, Queen Size, Dark Gray-6

QVUUOU Grounded Upholstered Platform Bed

QVUUOU Grounded Upholstered Platform Bed Instruction Manual

Model: Grounded Upholstered Platform Bed | Brand: QVUUOU | Size: Queen | Color: Dark Gray-6

1. INTRODUCTION

Thank you for choosing the QVUUOU Grounded Upholstered Platform Bed. This manual provides essential information for the safe assembly, proper use, and maintenance of your new bed frame. Please read all instructions carefully before beginning assembly and retain this manual for future reference.



Image 1.1: The QVUUOU Grounded Upholstered Platform Bed, Queen size, Dark Gray-6, shown in a bedroom environment with bedding and decor.

2. SAFETY INFORMATION

- **Weight Capacity:** Do not exceed the maximum weight capacity of **500 lbs**. Exceeding this limit may result in structural damage or injury.
- **Mattress Thickness:** Using a mattress thicker than **6 inches** is not recommended to maintain the intended aesthetic and stability of the grounded design.
- **Assembly:** Ensure all components are correctly assembled and fasteners are tightened securely before use. Periodically check and re-tighten all bolts.
- **Children:** Keep small parts and packaging materials away from children during assembly to prevent choking hazards.
- **Placement:** Place the bed on a level surface to ensure stability and prevent wobbling.

3. PACKAGE CONTENTS

Before assembly, verify that all parts listed below are present and undamaged. If any parts are missing or damaged, please contact customer support.

- Headboard (1)
- Footboard (1)
- Side Rails (2)
- Bed Slats (12)
- Hardware Pack (bolts, washers, nuts, Allen wrench)



Image 3.1: The internal wooden slat support system of the bed frame, designed for mattress support without a box spring.

4. SETUP AND ASSEMBLY INSTRUCTIONS

Assembly is required for this product. It is recommended to have two people for assembly. Please follow the detailed instructions included in your package. The general steps are outlined below:

1. **Unpack and Identify Parts:** Carefully remove all components from the packaging. Lay them out on a clean, soft surface (like a rug or blanket) to prevent scratches. Identify each part using the provided parts list.
2. **Assemble the Headboard:** Attach any necessary support components to the headboard as indicated in the detailed instructions.
3. **Attach Side Rails:** Connect the side rails to the headboard and footboard using the provided bolts and Allen wrench. Ensure all connections are secure but do not fully tighten until all major components are aligned.
4. **Install Bed Slats:** Place the wooden slats across the side rails. Secure them in place according to the instructions, ensuring even spacing and firm attachment. This forms the mattress support.
5. **Final Tightening:** Once all components are in place and aligned, fully tighten all bolts and fasteners. Do not overtighten.

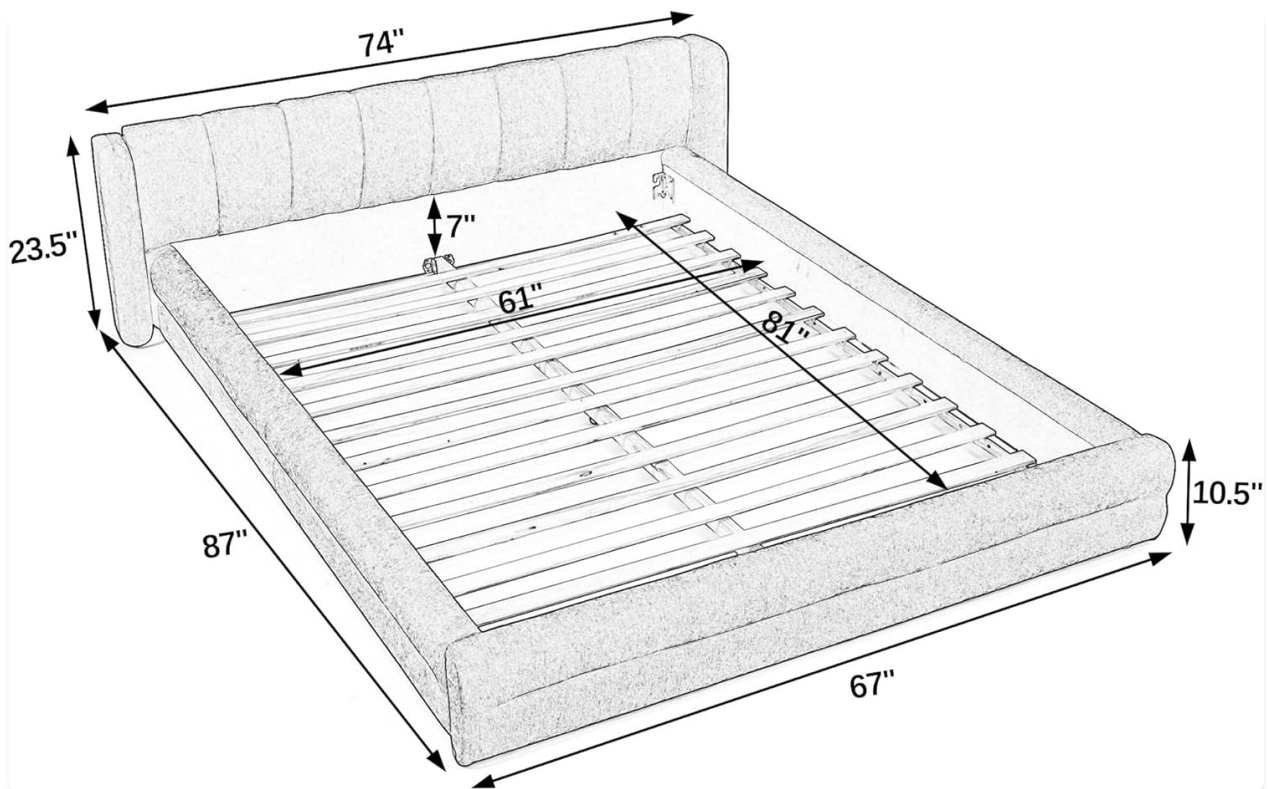


Image 4.1: Dimensional drawing of the bed frame, showing overall length (87"), width (67"), headboard height (23.5"), and side rail height (10.5").

Note: If you encounter issues such as misaligned holes or ill-fitting bolts, double-check the orientation of the parts and refer to the specific assembly diagrams provided in your package. Do not force components together.

5. OPERATING INSTRUCTIONS

This platform bed is designed to support a mattress directly, eliminating the need for a box spring. Simply place your Queen-sized mattress on the installed wooden slats.

- Ensure the mattress is centered on the bed frame.
- Do not jump on the bed or apply excessive localized weight, as this can damage the slats or frame.
- The grounded design means the bed sits low to the floor, providing a unique aesthetic and easy access.



Image 5.1: A detailed view of the channel-tufted headboard, highlighting the thick chenille fabric and unique design.

6. MAINTENANCE

- **Cleaning:** For the chenille fabric upholstery, gently vacuum with an upholstery attachment to remove dust and debris. For spills, blot immediately with a clean, dry cloth. For stubborn stains, consult a professional upholstery cleaner or use a mild fabric cleaner suitable for chenille, testing on an inconspicuous area first.
- **Frame Care:** Periodically inspect all bolts and connections. Re-tighten any loose fasteners to maintain the bed's stability and prevent squeaking.
- **Avoid Direct Sunlight:** Prolonged exposure to direct sunlight may cause the fabric color to fade.

7. TROUBLESHOOTING

- **Squeaking Noises:** Squeaking often indicates loose connections. Re-tighten all bolts on the headboard, footboard, and side rails. Ensure slats are properly seated and secured.
- **Parts Don't Align:** If holes do not line up during assembly, ensure you are using the correct parts for each step and that they are oriented correctly. Sometimes, slightly loosening adjacent bolts can help with alignment before re-tightening.

- **Bed Feels Unstable:** Verify that the bed is placed on a flat, level surface. Check all connections for tightness.
- **Missing or Damaged Parts:** If you discover any missing or damaged components upon unboxing, do not proceed with assembly. Contact QVUUOU customer support immediately for assistance.

8. SPECIFICATIONS

Feature	Detail
Product Type	Upholstered Platform Bed
Size	Queen
Color	Dark Gray-6
Overall Product Dimensions	87"L x 67"W x 23.5"H
Weight Capability	500 lbs
Recommended Mattress Thickness	6"
Product Material	MDF + Plywood + Chenille Fabric
Number of Bed Slats	12
Box Spring Required	No
Assembly Required	Yes
Item Weight	85 pounds

9. WARRANTY AND SUPPORT

Product Warranty: This QVUUOU Grounded Upholstered Platform Bed comes with a **1-year warranty** from the date of purchase, covering manufacturing defects. Please retain your proof of purchase for warranty claims.

Customer Support: For any questions, concerns, or assistance with assembly, missing parts, or warranty claims, please contact QVUUOU customer support through your retailer or the official brand website. Our dedicated team is committed to providing support for a worry-free ownership experience.