



Manuals.plus /

› Minifire /

› Minifire MFG25F6Q Pro 25-inch QHD 300Hz Gaming Monitor User Manual

Minifire MFG25F6Q Pro

Minifire MFG25F6Q Pro 25-inch QHD 300Hz Gaming Monitor User Manual

Model: MFG25F6Q Pro

1. INTRODUCTION

Thank you for choosing the Minifire MFG25F6Q Pro 25-inch QHD 300Hz Gaming Monitor. This manual provides essential information for the safe and efficient use of your new monitor. Please read it thoroughly before installation and operation, and keep it for future reference.

The MFG25F6Q Pro is designed for an immersive gaming experience, featuring a 25-inch QHD (2560x1440) Fast IPS panel, an ultra-high 300Hz refresh rate, and a rapid 1ms MPRT response time. It supports FreeSync Premium technology for tear-free gaming and offers extensive connectivity with HDMI 2.1 and DisplayPort 1.4 inputs, alongside an ergonomic adjustable stand.



Figure 1: Minifire MFG25F6Q Pro Gaming Monitor Overview

2. SAFETY INFORMATION

- Read all instructions carefully before using the monitor.
- Do not expose the monitor to rain or moisture to prevent fire or shock hazards.
- Do not open the monitor casing. There are no user-serviceable parts inside. Refer all servicing to qualified personnel.
- Place the monitor on a stable, flat surface to prevent it from falling.
- Ensure proper ventilation around the monitor. Do not block ventilation openings.
- Use only the power adapter supplied with the monitor.
- Unplug the monitor from the power outlet during lightning storms or when unused for long periods.
- Keep the monitor away from direct sunlight, heat sources, and extreme temperatures.
- Clean the screen with a soft, lint-free cloth. Avoid using harsh chemicals or abrasive cleaners.

3. PACKAGE CONTENTS

Please check the package contents to ensure all items are present and undamaged:

- Minifire MFG25F6Q Pro Gaming Monitor
- Monitor Stand (Base and Arm)
- DisplayPort Cable
- Power Adapter
- User Manual

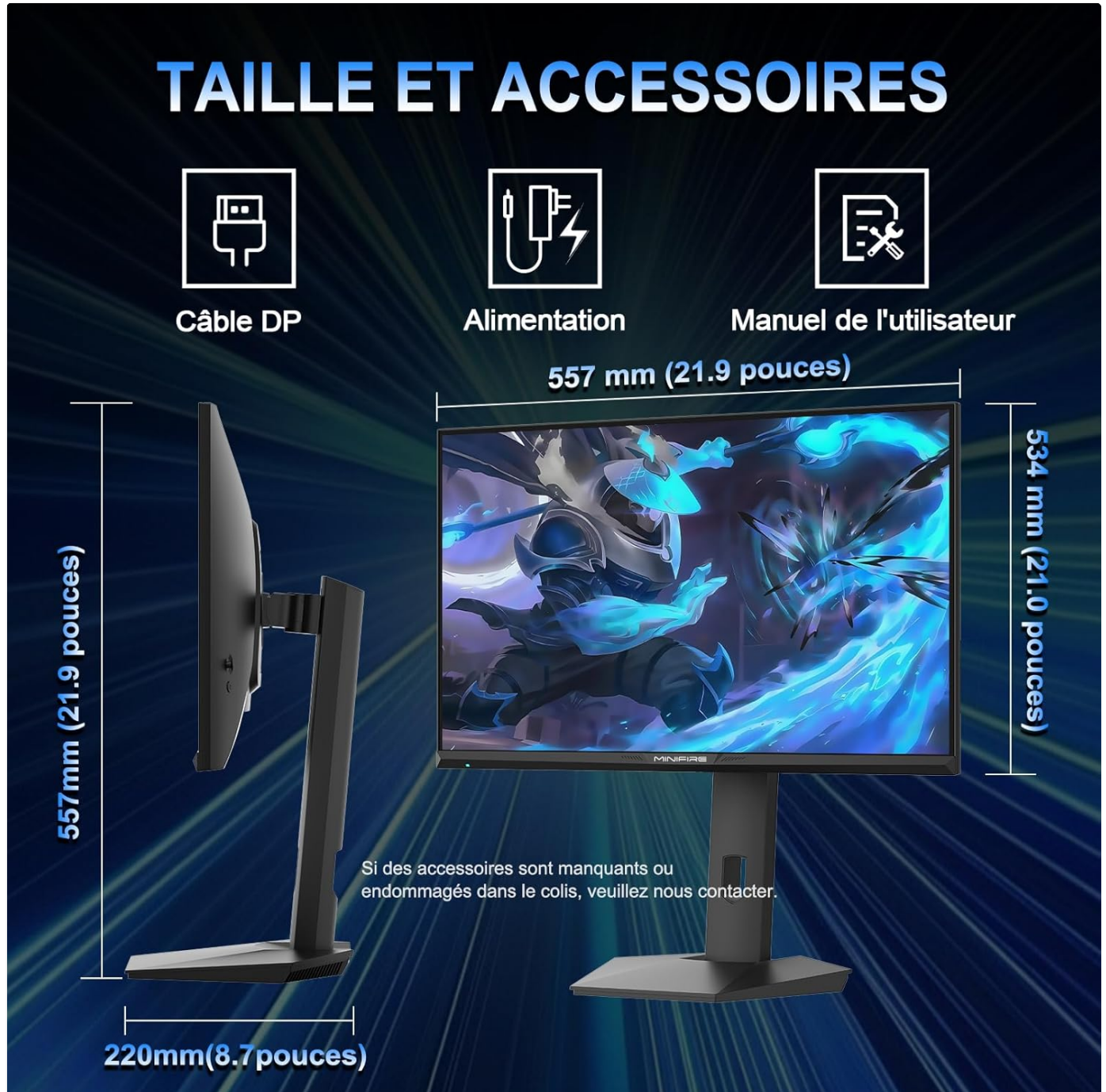


Figure 2: Included Accessories and Monitor Dimensions (557mm width, 534mm height with stand, 220mm depth)

4. SETUP

4.1 Stand Assembly

Follow these steps to assemble the monitor stand:

1. Place the monitor face down on a soft, clean cloth to prevent scratches.
2. Attach the stand arm to the monitor's VESA mounting area.
3. Secure the stand base to the stand arm.
4. Ensure all screws are tightened securely.



Figure 3: Stand Assembly (steps 1-4 on the left) and Joystick Control (right)

4.2 Connecting Your Monitor

Connect the monitor to your computer or gaming console using the appropriate cables:

1. **Power Connection:** Connect the power adapter to the monitor's DC input port, then plug the other end into a power outlet.
2. **Video Connection:**
 - For optimal performance (QHD @ 300Hz), use the supplied DisplayPort 1.4 cable to connect to your graphics card.
 - Alternatively, use an HDMI 2.1 cable for compatible devices (supports QHD @ 300Hz).
3. **Audio Connection:** If desired, connect headphones or external speakers to the 3.5mm audio output jack.

JOUEZ À DES JEUX PC ET CONSOLE SUR UN SEUL ÉCRAN X

Instantanément commutable Dmices-Pss.xhox,Pe S Plus



Figure 4: Available Ports (DC, 2x HDMI 2.1, 2x DisplayPort 1.4, Audio Out)

5. OPERATING INSTRUCTIONS

5.1 Power On/Off

Press the joystick button located on the back of the monitor to power it on or off. A short press will turn it on, and a long press will turn it off.

5.2 OSD Menu Navigation

The monitor features a convenient joystick control for navigating the On-Screen Display (OSD) menu:

- **Press:** Enter OSD menu / Confirm selection.
- **Up/Down:** Navigate menu options.
- **Left/Right:** Adjust values / Navigate sub-menus.

Refer to Figure 3 for the joystick control diagram.

5.3 Display Settings

Adjust various display settings through the OSD menu to optimize your viewing experience.

- **Resolution & Refresh Rate:** The monitor supports QHD (2560x1440) resolution at up to 300Hz refresh rate. Ensure your graphics card settings are configured to match these specifications for the best performance.



Figure 5: Key Performance Features (QHD, 300Hz, 1ms)

300 HZ MPRT 1MS

Les riffs jusqu'à 300 HZ prennent également en charge l'enregistrement simultané et le MPRT 1MS, pour une meilleure expérience de jeu avec des frissons ultra-faibles.



Figure 6: High Refresh Rate (300Hz) and Fast Response Time (1ms MPRT)

RÉSOLUTION QHD

Les images sont plus nettes et plus détaillées, tandis que la résolution Full HD 1,8x offre une vue plus large de l'ensemble du site



Figure 7: QHD (2560x1440) Resolution provides sharper, more detailed images compared to Full HD.

- **Response Time:** The monitor features a 1ms MPRT (Moving Picture Response Time) for reduced motion blur. This setting can typically be adjusted in the OSD menu.
- **Adaptive Sync (FreeSync Premium):** Enable FreeSync Premium in the OSD menu and on your graphics card (if supported) to eliminate screen tearing and stuttering for a smoother gaming experience.

TECHNOLOGIE ADVANCED FREESYNC

Empêche le tearing et le bégaiement pour une expérience vidéo fluide



Figure 8: FreeSync Technology for fluid video experience.

- **HDR (High Dynamic Range):** This technology expands the spatial capacity of dark and light areas, increasing luminance limits and bringing out details in both bright and dark scenes. Enable HDR in the OSD menu and your operating system for compatible content.

La **technologie HDR** élargit la capacité spatiale des zones sombres et claires, augmente la limite supérieure de la luminance, rapproche les détails des zones claires et sombres de la réalité et fournit d'excellents détails qui révolutionneront la qualité de l'image des jeux.



Figure 9: HDR Technology enhances image quality by expanding dynamic range.

- **Color Settings:** The monitor offers rich color reproduction with 130% sRGB and 98% DCI-P3 coverage, and 10-bit color depth. Adjust brightness (350 nits), contrast, and color temperature settings to your preference.

5.4 Ergonomic Adjustments

The monitor stand allows for various adjustments to achieve an optimal viewing angle:

- **Height Adjustment:** Adjust the monitor height up to 130mm.
- **Tilt:** Tilt the screen from -5° to +20°.
- **Swivel:** Swivel the monitor left or right by 20° (L20°~R20°).
- **Pivot:** Rotate the screen 90° for portrait mode (-90°~+90°).

E-SPORTS DESIGN

Trouvez votre angle de gain

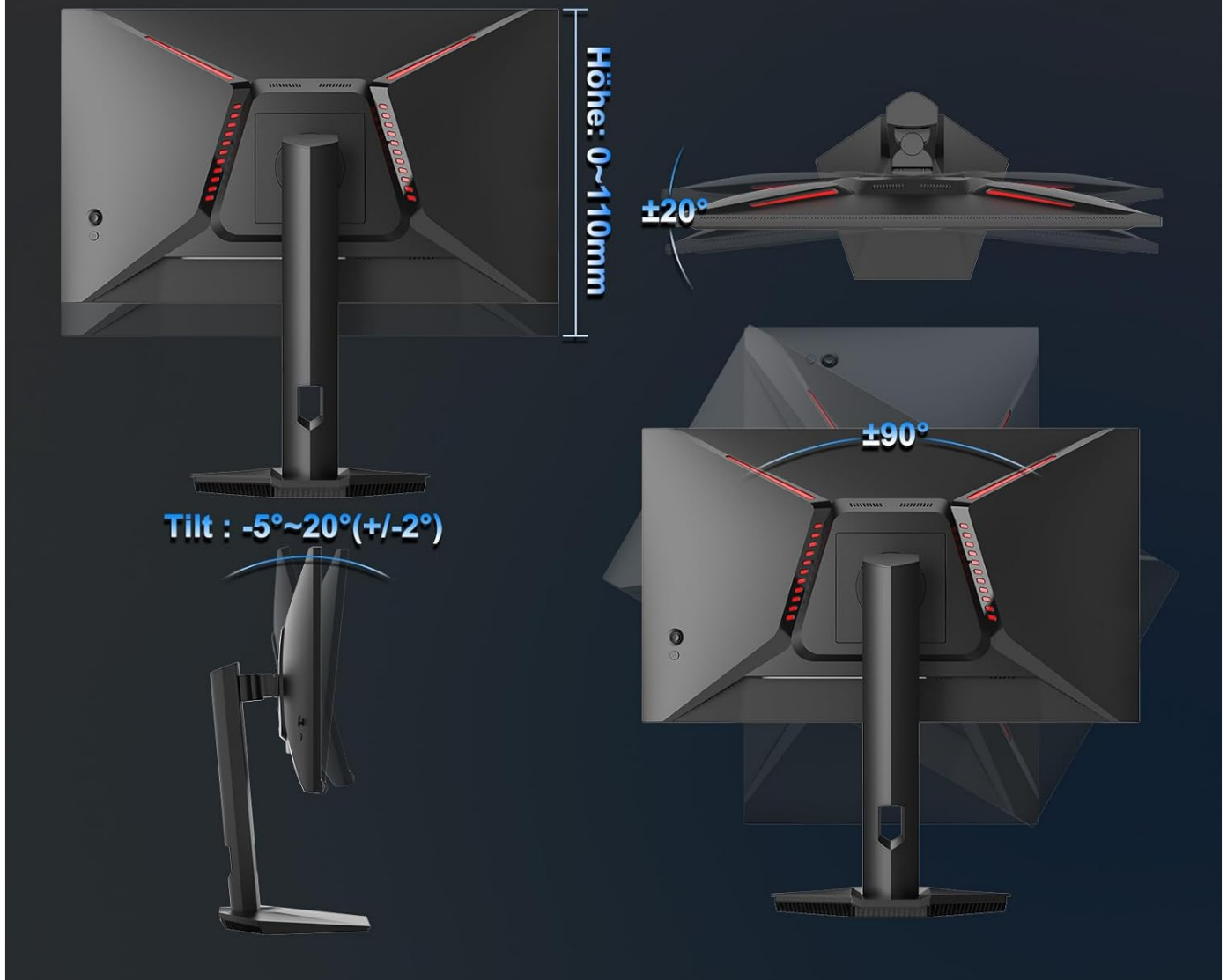


Figure 10: Ergonomic Stand Adjustments for optimal viewing comfort.

5.5 Multi-Input Management (PIP/PBP)

The monitor supports Picture-in-Picture (PIP) and Picture-by-Picture (PBP) functions, allowing you to display content from multiple sources simultaneously. Access these settings through the OSD menu.



Figure 11: PIP/PBP functionality for displaying multiple sources.

5.6 Game Modes and Features

The monitor includes various preset game modes and features to enhance your gaming experience:

- **Pro Game Modes:** Select from predefined color settings optimized for different game genres (e.g., FPS, RTS, Standard). These can be further fine-tuned to your personal preferences.

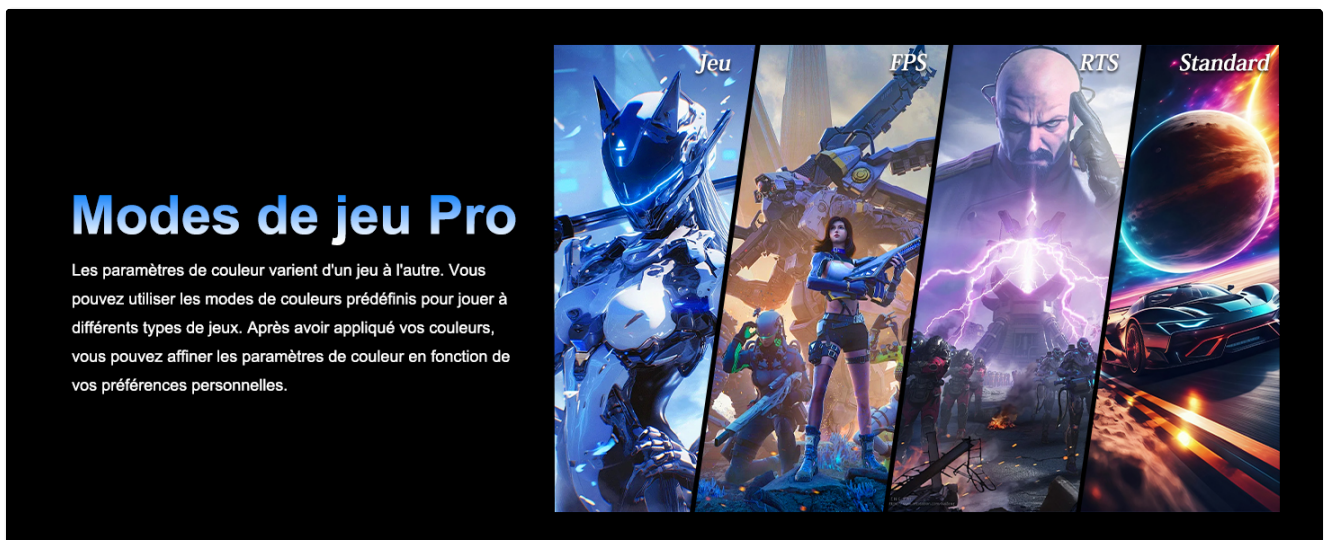


Figure 12: Pro Game Modes for optimized visual settings across various games.

- **FPS Aiming Feature:** An on-screen crosshair can be enabled to assist with aiming in First-Person Shooter (FPS) games.



Figure 13: FPS Aiming Feature to enhance precision in games.

6. MAINTENANCE

6.1 Cleaning the Monitor

- Always unplug the monitor before cleaning.
- Use a soft, lint-free cloth slightly dampened with water to clean the screen. Do not spray cleaner directly onto the screen.
- For stubborn marks, use a screen-specific cleaning solution applied to the cloth, not directly to the screen.
- Wipe the monitor casing with a soft, dry cloth. Avoid using abrasive cleaners or solvents.

6.2 General Care

- Avoid placing heavy objects on the monitor or its cables.
- Do not expose the monitor to extreme temperatures or humidity.
- If the monitor will be unused for an extended period, unplug it from the power outlet.

7. TROUBLESHOOTING

If you encounter issues with your monitor, please refer to the following troubleshooting guide:

Problem	Possible Cause	Solution
No image on screen	<p>Monitor not powered on.</p> <p>Video cable not connected properly.</p> <p>Incorrect input source selected.</p> <p>Computer/device not powered on or in sleep mode.</p>	<p>Press the joystick button to power on the monitor.</p> <p>Ensure video cables (HDMI/DP) are securely connected to both the monitor and the source device.</p> <p>Use the OSD menu to select the correct input source.</p> <p>Turn on your computer/device or wake it from sleep mode.</p>
Image flickering or distorted	<p>Loose video cable connection.</p> <p>Incorrect resolution or refresh rate.</p> <p>Interference from other electronic devices.</p> <p>Graphics card driver issues.</p>	<p>Check and re-secure video cable connections.</p> <p>Ensure your graphics card output matches the monitor's native resolution (2560x1440) and desired refresh rate (up to 300Hz).</p> <p>Move other electronic devices away from the monitor.</p> <p>Update your graphics card drivers.</p>
No sound from headphone jack	<p>Headphones/speakers not connected properly.</p> <p>Volume too low or muted.</p> <p>Incorrect audio output device selected on computer.</p>	<p>Ensure headphones/speakers are fully plugged into the 3.5mm jack.</p> <p>Adjust volume via OSD menu or connected device.</p> <p>Select the monitor as the audio output device in your computer's sound settings.</p>
"Extreme" response time causes ghosting	<p>Overdrive setting too aggressive.</p>	<p>Adjust the "Response Time" setting in the OSD menu to a lower level (e.g., "Fast" or "Normal") or turn it off if ghosting persists.</p>

8. SPECIFICATIONS

Feature	Detail
Brand	Minifire
Screen Size	25 Inches
Resolution	2560 x 1440 Pixels (QHD Wide 1440p)
Aspect Ratio	16:9
Screen Surface Description	Anti-glare
Contrast Ratio	1200:1
Response Time	1 millisecond (MPRT)
Refresh Rate	300 Hz
Power Consumption	45 Watt
Display Type	IPS, LCD
Viewing Angle	178 Degrees
Brightness	350 nits
Color Gamut Value	130% sRGB, 98% DCI-P3
Image Quality Enhancement Technology	FreeSync Premium, HDR
Item Dimensions (D x W x H)	23.6D x 54.5W x 55.7H centimeters
Item Weight	4.2 Kilograms
Connectivity Technology	DisplayPort, HDMI 2.1
Hardware Connectivity	HDMI, Display Port
Total HDMI Ports	2
Total Output Ports	4 (2x HDMI, 2x DP)
Product Features	Dual DisplayPort, Dual HDMI 2.1, 300Hz Refresh Rate, Gaming Screen
Specific Product Uses	Gaming
Color	Black
VESA Mount Type	Desk Mount (100x100 mm compatible)
Compatible Devices	Gaming Console, Computer, Laptop
Model Number	MFG25F6Q Pro
Manufacturer	Minifire

9. WARRANTY AND SUPPORT

9.1 Warranty Information

The Minifire MFG25F6Q Pro monitor comes with a **2-year warranty** from the date of purchase. This warranty covers manufacturing defects and malfunctions under normal use. Please retain your proof of purchase for warranty claims. The warranty does not cover damage caused by misuse, accidents, unauthorized modifications, or external factors.

9.2 Customer Support

For technical assistance, warranty claims, or any questions regarding your Minifire monitor, please contact Minifire customer support through the official website or your retailer's support channels. Please have your model number (MFG25F6Q Pro) and purchase details ready when contacting support.

Online Support: Visit the official Minifire website for FAQs, driver downloads, and contact information www.minifire.com (Note: This is a placeholder URL. Please refer to your product packaging or official Minifire documentation for the correct support website.)

