

## Manuals+

[Q & A](#) | [Deep Search](#) | [Upload](#)

Manuals.plus /

› [Devoko](#) /

› Devoko 10ft Solar LED Patio Umbrella User Manual

## Devoko DV25BUB0784-BK-L

# Devoko 10ft Solar LED Patio Umbrella User Manual

Model: DV25BUB0784-BK-L

## 1. INTRODUCTION

This manual provides detailed instructions for the assembly, operation, and maintenance of your Devoko 10ft Solar LED Patio Umbrella. Designed to enhance your outdoor living space, this cantilever umbrella offers extensive shade, convenient features, and integrated solar lighting. Please read this manual thoroughly before use to ensure proper setup and safe operation.

## 2. PRODUCT FEATURES

- **10ft Cantilever Design:** Provides wide coverage and flexible placement without a central pole obstructing your space.
- **Solar LED Lights:** Integrated LED tubes powered by solar energy, offering ambient lighting for evening use.
- **360-Degree Rotation:** Features a foot pedal for effortless 360-degree rotation, allowing precise shade adjustment throughout the day.
- **4-Position Tilt Adjustment:** Easily adjust the canopy angle to block sun from various directions.
- **Individual Crank System:** Simple and smooth crank mechanism for opening and closing the umbrella.
- **Ergonomic Handle:** Designed for comfortable and easy adjustment of the umbrella's position.
- **Durable Construction:** Rust-resistant aluminum main pole and sturdy 8 metal ribs ensure stability and longevity.
- **Premium Polyester Canopy:** UV-resistant, fade-resistant, and water-repellent fabric for superior protection.
- **Double Roof Design:** Enhances air circulation and stability, especially in windy conditions.
- **Steel Cross Base:** Provides a stable foundation (note: weighted base is recommended and sold separately).



Figure 2.1: The Devoko 10ft Solar LED Patio Umbrella providing shade over an outdoor dining set.

# 360° Rotating Design



Figure 2.2: Illustration of the umbrella's 360-degree rotation capability.

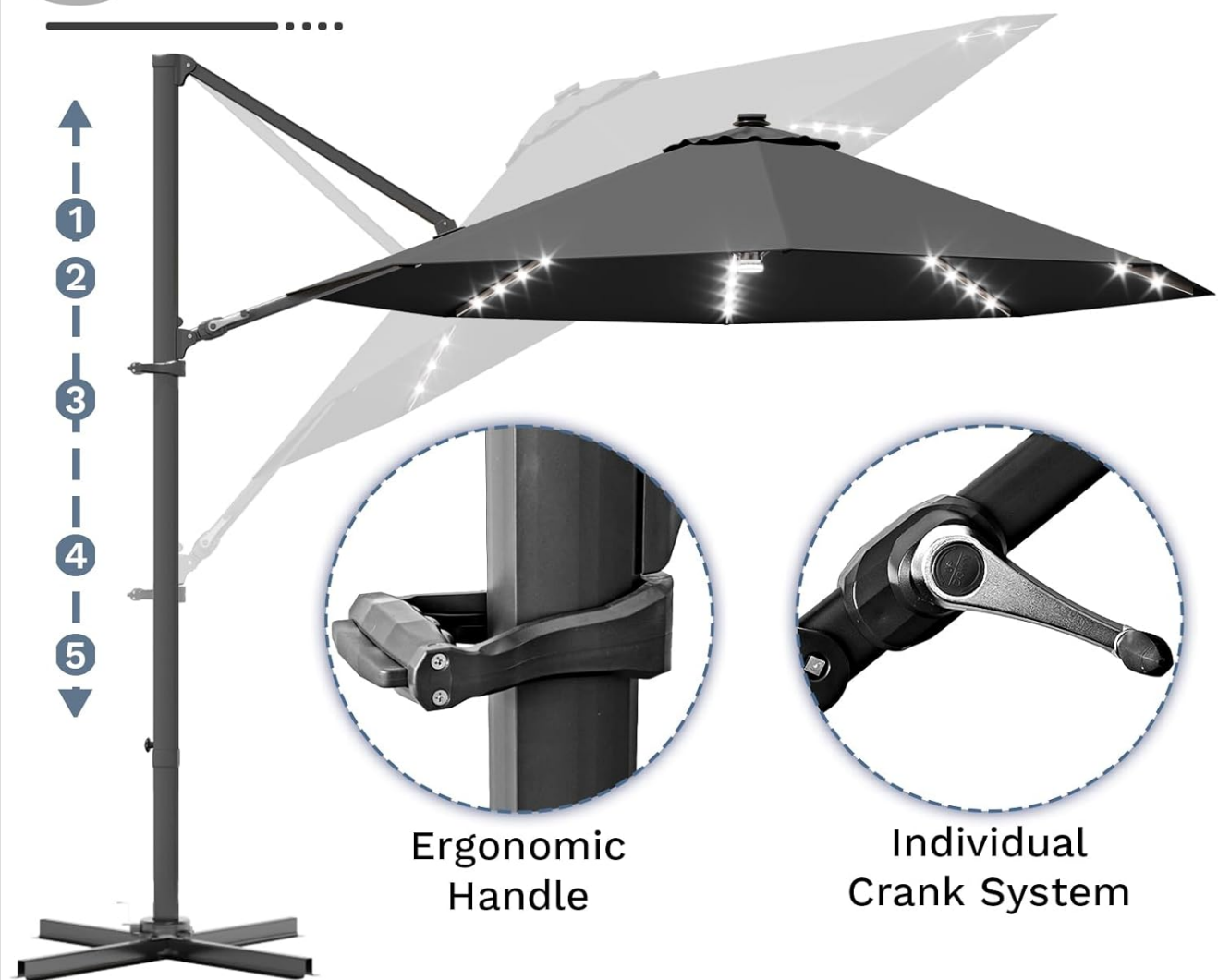
# Solar LED Lights

The patio umbrella with light to warm up your night and create a atmosphere for you.



Figure 2.3: Detail of the solar panel and light switch for the integrated LED lighting system.

# 5 Tilt Adjustable



Ergonomic Handle

Individual Crank System

Figure 2.4: The ergonomic handle and individual crank system for easy tilt adjustment.

# Double Top Design

Provide the uv-resistant and allow the air to circulate.



Figure 2.5: The double top design of the canopy, promoting air circulation.



Figure 2.6: The robust structure featuring 8 heavy-duty ribs and the central LED light.

### Product Overview Video

---

Video 2.1: This video provides a comprehensive overview of the Devoko 10ft Outdoor Cantilever Patio Offset Umbrella, demonstrating its key features including the solar LED lights, 360-degree rotation, and easy operation.

## 3. PACKAGE CONTENTS

Please ensure all parts are present before beginning assembly. If any parts are missing or damaged, contact customer support.

- 1 x Devoko 10ft Solar LED Patio Umbrella
- 1 x Necessary Hardware Kit (for assembly)

## 4. SETUP INSTRUCTIONS

Follow these steps to set up your patio umbrella. It is recommended to have two people for assembly.

1. **Unpack Components:** Carefully remove all parts from the packaging and lay them out on a clean, flat surface.
2. **Assemble Cross Base:** Connect the components of the steel cross base as per the hardware kit instructions. Ensure all bolts are securely tightened.
3. **Attach Main Pole:** Secure the main pole of the umbrella to the assembled cross base. Use the provided hardware and ensure it is firmly attached.
4. **Secure with Weighted Base (Recommended):** For optimal stability, especially in windy conditions, place an optional weighted base (not included) over the cross base. This can be sandbags, water-filled bases, or concrete pavers.
5. **Position Umbrella:** Carefully stand the umbrella upright in your desired outdoor location.

# Steel Cross Base

Recommended to add a weighted base for stabilization to ensure it stands securely.



Figure 4.1: The steel cross base provides the foundation for the umbrella. A weighted base is recommended for stability.

## 5. OPERATING INSTRUCTIONS

Learn how to effectively use your Devoko patio umbrella's features.

1. **Opening the Umbrella:** Locate the crank handle on the main pole. Rotate the crank clockwise to extend the canopy until it is fully open.
2. **Closing the Umbrella:** Rotate the crank handle counter-clockwise to retract the canopy until it is fully closed. Secure the canopy with the attached strap for compact storage.

3. **Adjusting Tilt:** Use the ergonomic handle on the main pole to adjust the canopy's tilt angle. The umbrella offers 4 distinct tilt positions to optimize shade.
4. **360-Degree Rotation:** Step on the foot pedal located at the base of the main pole. While holding the pedal down, gently rotate the umbrella to your desired position. Release the pedal to lock the umbrella in place.
5. **Activating Solar LED Lights:** Ensure the solar panel on top of the umbrella has received sufficient sunlight during the day. Locate the light switch (refer to Figure 2.3) and flip it to the 'ON' position to illuminate the LED lights.

## 6. MAINTENANCE AND CARE

Proper maintenance will extend the life of your umbrella.

- **Cleaning the Canopy:** Clean the polyester canopy regularly with mild soap and water. Rinse thoroughly and allow to air dry completely before closing or storing. Do not use harsh chemicals or abrasive cleaners.
- **Frame Care:** Wipe the aluminum frame with a damp cloth to remove dirt and debris. Inspect the frame and hardware periodically for any loose connections and tighten as needed.
- **Solar Panel:** Keep the solar panel clean and free of dust or obstructions to ensure efficient charging of the LED lights.
- **Storage:** When not in use for extended periods or during off-season, close the umbrella and secure it with the strap. Store it in a dry, protected area, preferably with a protective cover (not included).

## 7. SAFETY GUIDELINES

Adhere to these safety precautions to prevent injury or damage to the umbrella.

- **Secure the Base:** Always use a weighted base (sandbags, water-filled bases, or concrete pavers) to properly secure the umbrella. The provided cross base alone is not sufficient for stability in all conditions.
- **Retract During Severe Weather:** To keep the umbrella intact and prevent damage, always retract the canopy during strong winds, heavy rain, or other severe weather conditions.
- **Avoid Obstructions:** Ensure there are no obstructions (e.g., walls, trees, power lines) when opening, closing, or rotating the umbrella.
- **Children and Pets:** Keep children and pets away from the umbrella during operation to prevent accidents.
- **Do Not Hang Items:** Do not hang heavy items from the umbrella frame or ribs, as this can compromise stability and cause damage.

---

Video 7.1: This video demonstrates the importance of retracting the umbrella canopy during severe weather to ensure its longevity and prevent damage.

## 8. TROUBLESHOOTING

If you encounter issues with your umbrella, refer to the following common problems and solutions.

- **Umbrella not opening/closing smoothly:** Check for any obstructions in the canopy or crank mechanism. Ensure the crank handle is properly engaged. Apply a silicone-based lubricant to moving parts if necessary.
- **LED lights not working:** Ensure the solar panel is clean and receiving direct sunlight for charging. Check the light switch is in the 'ON' position. Allow sufficient charging time (at least 6-8 hours of direct sunlight).
- **Umbrella unstable:** Verify that the cross base is fully assembled and all bolts are tightened. Ensure a sufficient weighted base is placed on top of the cross base. Do not use the umbrella in high winds.
- **Canopy fading or showing wear:** While the canopy is fade-resistant, prolonged exposure to harsh UV rays can cause some fading over time. Regular cleaning and using a protective cover when not in use can help preserve its appearance.

## 9. SPECIFICATIONS

Attribute	Value
Brand	Devoko
Model Number	DV25BUB0784-BK-L
Color	Black
Shape	Round
Canopy Material	Polyester
Frame Material	Aluminum, Metal
Shaft Material	Steel
Handle Material	Alloy Steel
Item Weight	46.8 pounds
Package Dimensions	71.06 x 11.42 x 6.69 inches
Special Features	Adjustable Height, Fade Resistant, Heavy Duty Fabric, Lighted, UV Resistant
Recommended Uses	Patio
Specific Uses	Sun

# Product Dimension

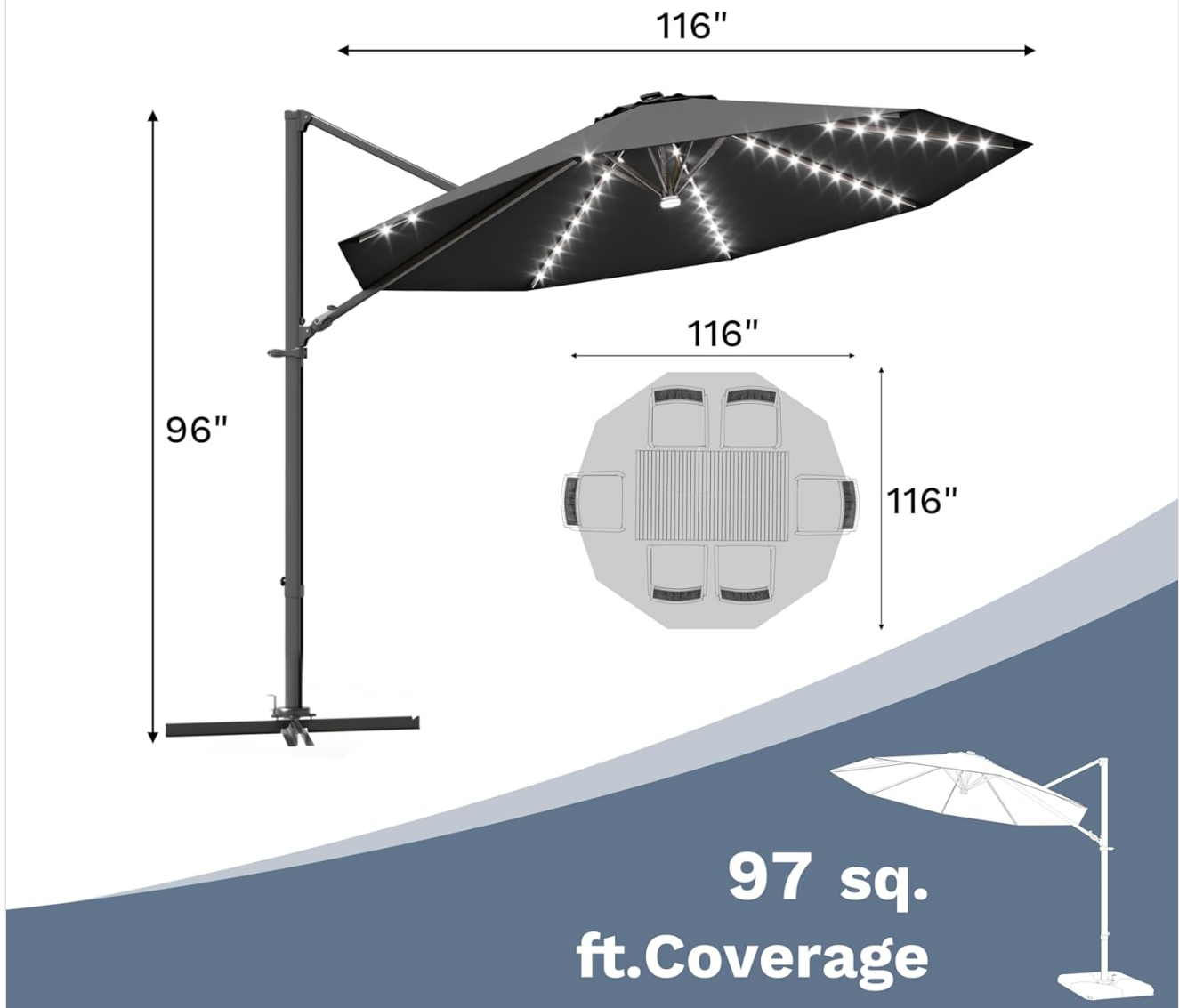


Figure 9.1: Key dimensions and coverage area of the umbrella.

## 10. WARRANTY AND SUPPORT

For warranty information or technical support, please contact Devoko customer service directly. Keep your purchase receipt as proof of purchase.