



Manuals.plus /

- › Bextgoo /
- › Bextgoo 2K Video Peephole Doorbell Camera (Model OB-2K01) User Manual

Bextgoo OB-2K01

Bextgoo 2K Video Peephole Doorbell Camera User Manual

Model: OB-2K01

1. INTRODUCTION

This manual provides detailed instructions for the installation, setup, operation, and maintenance of your Bextgoo 2K Video Peephole Doorbell Camera. This device enhances your home security by providing a clear view of your doorstep, smart detection alerts, and remote monitoring capabilities. Please read this manual thoroughly before using the product to ensure proper function and safety.



Image 1.1: Bextgoo 2K Video Peephole Doorbell Camera system components.

2. PACKAGE CONTENTS

Verify that all items listed below are included in your package:

- Peephole Doorbell Camera
- Indoor Display (4.3" Color Monitor)
- 64GB Memory Card (pre-installed or included separately)
- Charging Cable
- Screw Pack for installation
- User Manual (this document)

3. PRODUCT OVERVIEW

The Bextgoo 2K Video Peephole Doorbell Camera offers advanced features for comprehensive door surveillance.

Key Features:

- **2K HD Video Resolution:** Provides clear and detailed images and video recordings.
- **4.3-inch Color Monitor:** Large indoor display for real-time viewing at your door.
- **170° Wide-Angle View:** Expansive field of view to monitor a larger area around your door.
- **8000mAh Rechargeable Battery:** Extended battery life for prolonged operation.
- **Built-in 64GB Memory Card:** Local storage for video recordings without subscription fees.
- **Smart Detection Alerts:** Advanced technology to accurately detect motion and send instant notifications.
- **IR Night Vision:** Automatic switching to clear infrared night vision up to 16ft in low light conditions.
- **Two-Way Audio:** Communicate with visitors via the smartphone app.
- **Wireless Connectivity:** Easy installation and remote access via Wi-Fi.



Image 3.1: Overview of the Bextgoo 2K Wireless Door Camera system.

4. INSTALLATION

The Bextgoo Peephole Doorbell Camera is designed for easy, wireless self-installation. Ensure your door meets the following specifications:

- **Door Thickness:** 40mm - 110mm (1.57 inches - 4.33 inches)
- **Peephole Diameter:** 15mm - 45mm (0.59 inches - 1.77 inches)

Installation Steps:

1. **Remove Existing Peephole:** Unscrew and remove your current peephole viewer from the door.
2. **Insert Door Viewer:** Insert the outdoor camera unit (door viewer) through the peephole from the outside of the door. Ensure the camera is facing outwards and is level.
3. **Attach Mounting Bracket:** From the inside of the door, slide the mounting bracket over the cable extending from the door viewer. Secure it with the provided screws.
4. **Connect Indoor Monitor:** Connect the cable from the door viewer to the corresponding port on the indoor monitor.
5. **Mount Indoor Monitor:** Align the indoor monitor with the mounting bracket and slide it into place until it clicks securely.
6. **Power On:** Ensure the battery is charged, then power on the indoor monitor.

100% Wireless for Easy Self-Installation

With the step-by-step video tutorials provided, setting up Wi-Fi and installing the device is easy and straightforward.

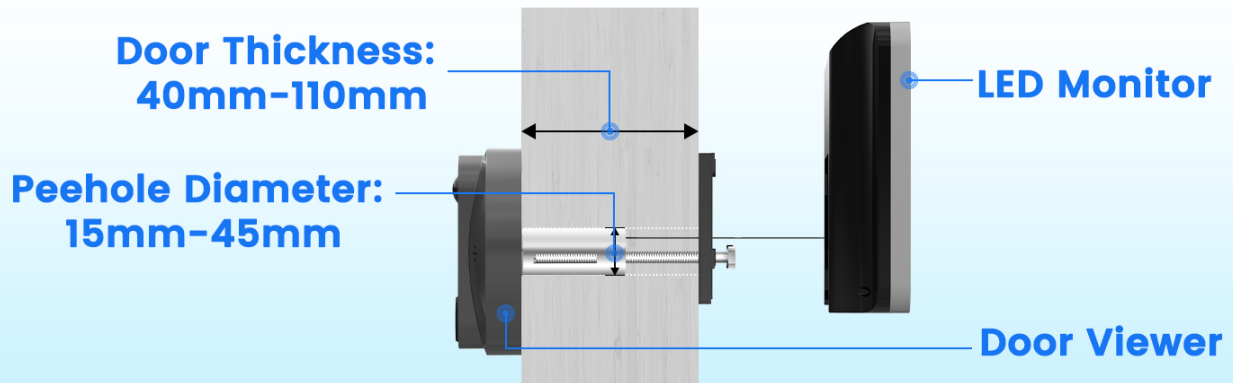


Image 4.1: Installation diagram with door thickness and peephole diameter specifications.

5. SETUP

5.1 App Download and Account Creation

1. Download the recommended smartphone application (e.g., 'Tuya Smart' or 'Smart Life') from your device's app store (iOS App Store or Google Play Store).
2. Open the app and follow the on-screen instructions to create a new account or log in if you already have one.

5.2 Device Pairing and Wi-Fi Connection

1. Ensure your indoor monitor is powered on and within range of your Wi-Fi router.
2. In the app, tap 'Add Device' or the '+' icon.
3. Select 'Security & Video Surveillance' > 'Smart Doorbell' or 'Peephole Camera'.
4. Follow the app's instructions to put the device into pairing mode (usually by pressing and holding a button on the indoor monitor).
5. Enter your 2.4GHz Wi-Fi network name and password when prompted. (5GHz Wi-Fi is not supported).
6. The app will guide you through connecting the device. Once connected, you can name your device and begin using it.

6. OPERATION

6.1 Live View and Monitoring

- **Indoor Monitor:** Press the button on the indoor monitor to view a live feed from the outdoor camera. The screen automatically activates when the doorbell is pressed.
- **Smartphone App:** Open the app to access the live view from anywhere. You can monitor your doorstep in real-time.

See Visitors Anytime: Real-Time Screen & Mobile Access



Image 6.1: Real-time viewing on the indoor monitor and smartphone app.

6.2 Two-Way Audio

When a visitor presses the doorbell or motion is detected, you will receive a notification on your smartphone. You can then use the app to speak with the visitor remotely.

6.3 Smart Detection Alerts

The camera uses advanced technology to detect human motion and send instant alerts to your phone. You can customize the sensitivity and alert settings within the app to minimize false alarms.

Smart Motion Detection Know What's Happening in Real Time



Image 6.2: Motion detection and real-time alerts.

6.4 Video Recording and Storage

The included 64GB memory card allows for local storage of motion-triggered recordings. You can review these recordings via the smartphone app. Optional cloud storage may also be available through the app for an additional subscription.

Free 64GB TF Card Included – No Subscription Fees!



Free
64GB TF Card

***support cloud service (optional)**

Image 6.3: The 64GB TF card provides local storage.

6.5 Family Sharing

You can share access to your doorbell camera with family members through the app, allowing multiple users to monitor and receive alerts.

Access Anytime, Anywhere: Share with Your Family



4 Online Streams



20 Users Sharing



Image 6.4: Family sharing feature for multi-user access.

7. MAINTENANCE

7.1 Battery Charging

The indoor monitor houses an 8000mAh rechargeable battery. When the battery level is low, connect the provided charging cable to the monitor and a suitable USB power adapter (not included) to recharge. A full charge provides extended operation time.

Rechargeable Powerful Battery, No Frequent Charging



8000mAh Larger Capacity Battery

Image 7.1: The 8000mAh battery provides long-lasting power.

7.2 Memory Card Management

The 64GB memory card will store recordings. When the card is full, older recordings may be overwritten. You can manage recordings and format the card through the app settings if needed.

8. TROUBLESHOOTING

- **Device not powering on:** Ensure the battery is charged. Connect the charging cable and allow it to charge for a few hours.

- **Cannot connect to Wi-Fi:** Verify your Wi-Fi network is 2.4GHz. Ensure the device is close to the router during setup. Re-enter the Wi-Fi password carefully.
- **Poor video quality:** Check for obstructions on the outdoor camera lens. Ensure the lens is clean. Verify your Wi-Fi signal strength.
- **No motion detection alerts:** Check app settings for motion detection sensitivity and ensure alerts are enabled. Verify the device is connected to Wi-Fi.
- **Short battery life:** Frequent live viewing, high motion detection sensitivity, and poor Wi-Fi signal can increase battery consumption. Adjust settings as needed.
- **No recording to memory card:** Ensure the 64GB memory card is properly inserted and recognized by the device. Check app settings for recording options.

9. SPECIFICATIONS

Feature	Specification
Model Name	OB-2K01 (also ED-300PA)
Video Capture Resolution	2K
Viewing Angle	170 Degrees
Indoor Monitor Size	4.3 inches
Battery Capacity	8000mAh
Storage	64GB Micro SD Card (included), supports up to 128GB
Connectivity	Wi-Fi (2.4GHz only)
Night Vision Range	Up to 16 feet (5 meters)
Compatible Devices	Smartphone (Android, iOS)
Door Thickness Compatibility	40mm - 110mm
Peephole Diameter Compatibility	15mm - 45mm
Dimensions (L x W x H)	4.33 x 3.5 x 0.98 inches
Item Weight	1.41 pounds (0.64 kg)
Material	Plastic

10. WARRANTY AND SUPPORT

For warranty information, technical support, or any inquiries regarding your Bextgoo 2K Video Peephole Doorbell Camera, please refer to the contact information provided on the product packaging or visit the official Bextgoo website. Keep your purchase receipt for warranty claims.

