

Manuals.plus /

› GoodHome /

› GoodHome Turbo Convector 2000W Fan Heater User Manual

GoodHome NVXK2000

GoodHome Turbo Convector 2000W Fan Heater User Manual

Model: NVXK2000

1. INTRODUCTION

This manual provides essential information for the safe and efficient operation of your GoodHome Turbo Convector 2000W Fan Heater, model NVXK2000. Please read this manual thoroughly before use and retain it for future reference. This electric heater is designed to provide supplemental heating for indoor spaces, offering adjustable heat settings and user-friendly controls.

2. IMPORTANT SAFETY INSTRUCTIONS

When using electrical appliances, basic precautions should always be followed to reduce the risk of fire, electric shock, and injury to persons, including the following:

- Read all instructions before using this heater.
- This heater is hot when in use. To avoid burns, do not let bare skin touch hot surfaces.
- Extreme caution is necessary when any heater is used by or near children or invalids and whenever the heater is left operating and unattended.
- Always unplug the heater when not in use.
- Do not operate any heater with a damaged cord or plug or after the heater malfunctions, has been dropped or damaged in any manner.
- Do not use outdoors. This heater is intended for indoor use only.
- Do not run cord under carpeting. Do not cover cord with throw rugs, runners, or similar coverings. Arrange cord away from traffic area and where it will not be tripped over.
- To disconnect heater, turn controls to OFF, then remove plug from outlet.
- Do not insert or allow foreign objects to enter any ventilation or exhaust opening as this may cause an electric shock or fire, or damage the heater.
- To prevent a possible fire, do not block air intakes or exhaust in any manner. Do not use on soft surfaces, like a bed, where openings may become blocked.
- A heater has hot and arcing or sparking parts inside. Do not use it in areas where gasoline, paint, or flammable liquids are used or stored.
- Use this heater only as described in this manual. Any other use not recommended by the manufacturer may cause fire,

electric shock, or injury to persons.

- Always plug heaters directly into a wall outlet/receptacle. Never use with an extension cord or relocatable power tap (outlet/power strip).
- Ensure the heater is placed on a stable, level surface to prevent accidental tipping. This unit includes tip-over protection.
- Maintain a minimum distance of 1 meter (3 feet) from walls, furniture, and curtains to ensure proper ventilation and prevent fire hazards.

3. PRODUCT FEATURES

- **Powerful Heating:** Offers a maximum power output of 2000 Watts for rapid room heating.
- **Adjustable Heat Settings:** Features 3 power levels, including a minimum of 750 Watts for energy-efficient heating in milder conditions.
- **Integrated Fan:** A built-in fan ensures even distribution of warm air throughout the room for consistent comfort.
- **Adjustable Thermostat:** Equipped with a mechanical thermostat to set and maintain your desired room temperature.
- **Quiet Operation:** Designed to operate with minimal noise, making it suitable for use in bedrooms, offices, or living areas without disturbance.
- **Safety Features:** Includes tip-over protection for enhanced safety.
- **Portable Design:** Lightweight (3.7 kg) and compact for easy relocation.

4. SETUP AND INSTALLATION

1. **Unpacking:** Carefully remove the heater from its packaging. Retain packaging for future storage if needed.
2. **Foot Installation:** Attach the two feet to the base of the heater using the provided screws. Ensure they are securely fastened for stability.
3. **Placement:** Place the heater on a firm, level surface. Ensure there is at least 1 meter (3 feet) of clear space around the heater from walls, furniture, curtains, and other flammable materials. Do not place the heater directly below a power outlet.
4. **Power Connection:** Ensure the heater is switched off (dial set to '0') before plugging it into a standard 220V electrical outlet. Do not use extension cords or power strips.



Figure 1: GoodHome Turbo Convector 2000W Fan Heater, front view with feet installed.

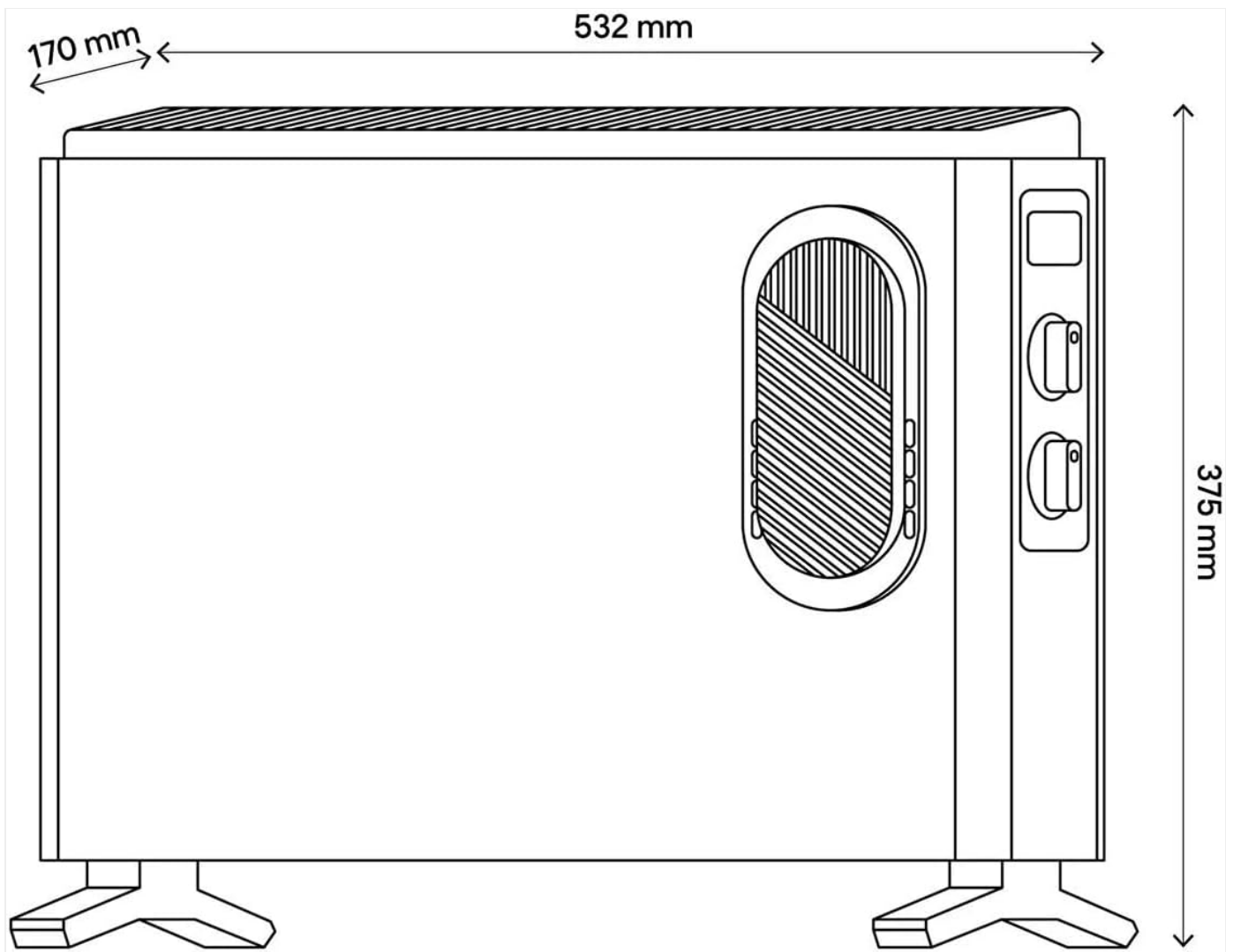


Figure 2: Dimensional diagram of the GoodHome Turbo Convector 2000W Fan Heater, showing width (532mm), height (375mm), and depth (170mm).

5. OPERATING INSTRUCTIONS

- 1. Power On/Off:** Ensure the heater is plugged into a suitable 220V outlet. Turn the upper dial (Power Selector) to 'I' for 750W heating or 'II' for 2000W heating. To turn off, set the dial to '0'.
- 2. Adjusting Heat Settings:**
 - Position '0': Heater is off.
 - Position 'I': Low heat setting (750W).
 - Position 'II': High heat setting (2000W).
- 3. Setting the Thermostat:** The lower dial controls the thermostat.
 - Turn the thermostat dial clockwise to the maximum setting ('+') to quickly heat the room.
 - Once the room reaches your desired temperature, slowly turn the thermostat dial counter-clockwise until the heater switches off.
 - The heater will now automatically cycle on and off to maintain the set temperature.



Figure 3: Close-up view of the control panel, showing the upper power selector dial (0, I, II) and the lower thermostat control dial (min to max).

6. MAINTENANCE AND CLEANING

Regular cleaning and maintenance will help ensure the longevity and efficient operation of your heater.

- **Always unplug the heater from the power outlet and allow it to cool completely before cleaning.**
- **Exterior Cleaning:** Wipe the exterior surfaces of the heater with a soft, damp cloth. Do not use abrasive cleaners, solvents, or harsh chemicals as these may damage the finish.

- **Ventilation Grilles:** Use a vacuum cleaner with a brush attachment to remove dust and debris from the air intake and exhaust grilles. Ensure these openings remain clear for proper airflow.
- **Storage:** If storing the heater for an extended period, clean it thoroughly and place it back in its original packaging. Store in a cool, dry place.
- **Never immerse the heater in water or any other liquid.**

7. TROUBLESHOOTING

If you experience issues with your heater, please refer to the following troubleshooting guide:

Problem	Possible Cause	Solution
Heater does not turn on.	<ul style="list-style-type: none"> • Not plugged in. • Power outlet is not working. • Power selector is set to '0'. • Tip-over switch activated. 	<ul style="list-style-type: none"> • Ensure the power cord is securely plugged into a 220V outlet. • Test the outlet with another appliance. • Turn the power selector dial to 'I' or 'II'. • Ensure the heater is on a flat, stable surface.
Heater is on but not producing heat.	<ul style="list-style-type: none"> • Thermostat setting is too low. • Overheat protection activated. 	<ul style="list-style-type: none"> • Increase the thermostat setting by turning the dial clockwise. • Unplug the heater, allow it to cool for 10-15 minutes, then plug it back in. Ensure vents are not blocked.
Heater turns off unexpectedly.	<ul style="list-style-type: none"> • Overheat protection activated. • Tip-over switch activated. • Thermostat reached set temperature. 	<ul style="list-style-type: none"> • Unplug, cool down, check for obstructions, then restart. • Ensure the heater is on a stable, level surface. • This is normal operation. Adjust thermostat if you desire a warmer room.

8. SPECIFICATIONS

Model Number	NVXK2000
Brand	GoodHome
Power Output	750W / 2000W
Voltage	220 Volt
Product Weight	3.7 Kilograms
Color	White
Special Features	Adjustable Temperature, Tip-over Protection, Energy Efficient, Quiet, Portable
Form Factor	Pedestal
Usage Environment	Indoor
Manufacturer	ningbo daye power
Country of Origin	China

9. WARRANTY AND SUPPORT

For information regarding warranty coverage, please refer to the warranty card included with your product or contact your retailer. For technical support or service inquiries, please contact the customer service department of your place of purchase.

