



Manuals.plus /

› Noaton /

› Noaton Zoya BB Ceiling Fan User Manual

## Noaton 15132BB

# Noaton Zoya BB Ceiling Fan User Manual

Model: 15132BB

## 1. INTRODUCTION

---

Thank you for choosing the Noaton Zoya BB Ceiling Fan. This manual provides essential information for the safe and efficient operation, installation, and maintenance of your new ceiling fan. Please read this manual thoroughly before installation and retain it for future reference.



Image: The Noaton Zoya BB ceiling fan in black, featuring three blades and an integrated LED light. The image also displays the remote control and illustrates the fan's ability to change light color temperature from warm white to cool white.

## 2. SAFETY INSTRUCTIONS

To reduce the risk of electric shock, fire, and injury, always follow these basic safety precautions:

- Read all instructions carefully before installing and operating the fan.
- Ensure the power supply is disconnected before installation or maintenance.
- Installation must be performed by a qualified electrician in accordance with local electrical codes.
- The fan must be mounted to a structure capable of supporting its weight (minimum 4.5 kg).
- Maintain a minimum clearance of 2.3 meters (7.5 feet) from the floor to the fan blades.
- Do not insert objects into the path of the rotating blades.
- This appliance is not intended for use by persons (including children) with reduced physical, sensory or mental capabilities, or lack of experience and knowledge, unless they have been given supervision or instruction

concerning use of the appliance by a person responsible for their safety.

### 3. PACKAGE CONTENTS

---

Verify that all components are present and undamaged before beginning installation.

- Ceiling Fan Motor Assembly
- Fan Blades (3x)
- Remote Control
- Remote Control Holder
- Mounting Bracket
- Hardware Kit (screws, wire nuts, etc.)
- User Manual

### 4. INSTALLATION

---

Follow these steps for proper installation. It is recommended to have two people for installation.

1. **Prepare for Installation:** Turn off power at the circuit breaker. Ensure the mounting surface is structurally sound.
2. **Install Mounting Bracket:** Secure the mounting bracket to the ceiling junction box using appropriate screws.
3. **Assemble Fan Blades:** Attach the three fan blades to the motor assembly.
4. **Hang Fan Assembly:** Carefully lift the fan assembly and hang it on the mounting bracket.
5. **Wire Connections:** Connect the electrical wires according to the wiring diagram provided in the manual (Live, Neutral, Ground). Ensure all connections are secure.
6. **Secure Fan to Bracket:** Fasten the fan assembly to the mounting bracket.
7. **Install Light Kit:** Connect and secure the LED light kit to the bottom of the fan motor.
8. **Final Checks:** Ensure all screws are tightened and the fan is securely mounted.

**Installation  
facile**  
en un instant



Image: An exploded view diagram illustrating the simple assembly process of the Noaton Zoya BB ceiling fan, highlighting its easy installation. A remote control holder is also shown, indicating it can be attached to a wall.

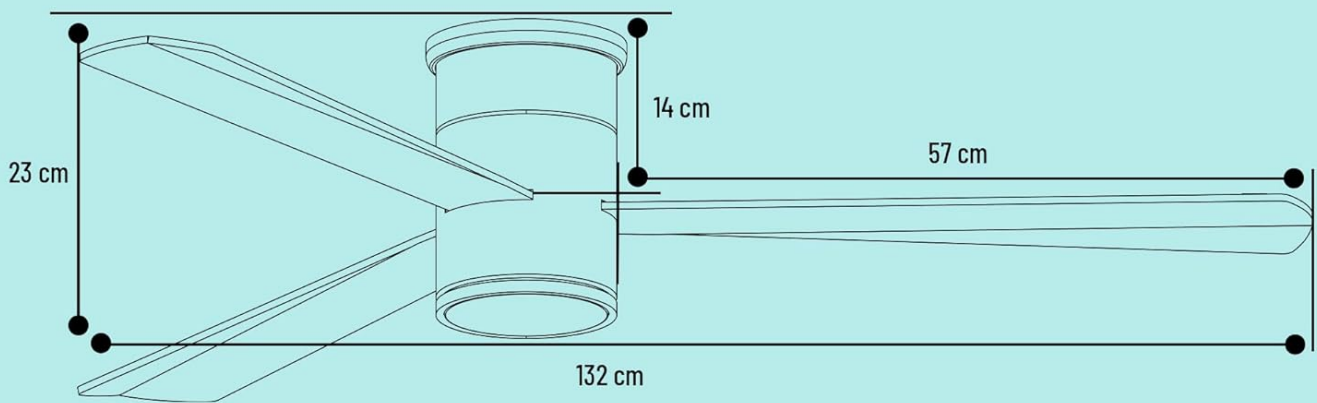


Image: A technical drawing of the Noaton Zoya BB ceiling fan, showing its dimensions: 132 cm diameter, 23 cm height, and blade length of 57 cm.

## 5. OPERATION

---

Your Noaton Zoya BB ceiling fan is controlled by the included remote control.

### 5.1 Remote Control Functions



## Memory function

mémorise les réglages sélectionnés après la remise sous tension



Fonction de  
brise naturelle



Éteindre/  
allumer



Vitesse, marche  
arrière



Minuterie



Température,  
éclairage



Intensité  
lumineuse

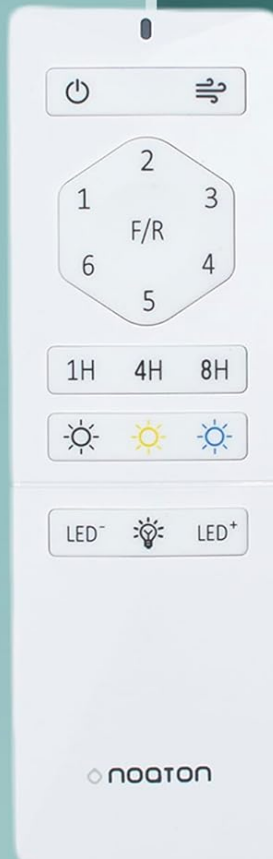


Image: The remote control for the Noaton Zoya BB ceiling fan, detailing its various functions including natural breeze, on/off, speed adjustment, reverse rotation, timer settings (1H, 4H, 8H), light temperature control, light intensity adjustment, and memory function.

- **Power Button:** Turns the fan and light On/Off.
- **Fan Speed:** Select from 6 adjustable speeds (1-6).
- **F/R (Forward/Reverse):** Changes the direction of blade rotation for summer or winter mode.
- **Timer:** Set the fan to turn off automatically after 1, 4, or 8 hours.
- **Light Control:**
  - **LED:** Adjust light color temperature (3000K Warm White, 4000K Neutral White, 6000K Cool White).
  - **LED+/-:** Dims or brightens the light intensity.
- **Natural Breeze Function:** Simulates natural wind by automatically varying fan speed.
- **Memory Function:** The fan remembers the last light and speed settings when turned off and restores them upon next power-on.

## 5.2 Summer and Winter Modes

The fan features a reversible motor for year-round comfort.

- **Summer Mode (Downward Airflow):** Blades rotate counter-clockwise, creating a downward breeze that cools the room.
- **Winter Mode (Upward Airflow):** Blades rotate clockwise, pushing warm air near the ceiling downwards, helping to redistribute heat and reduce heating costs.

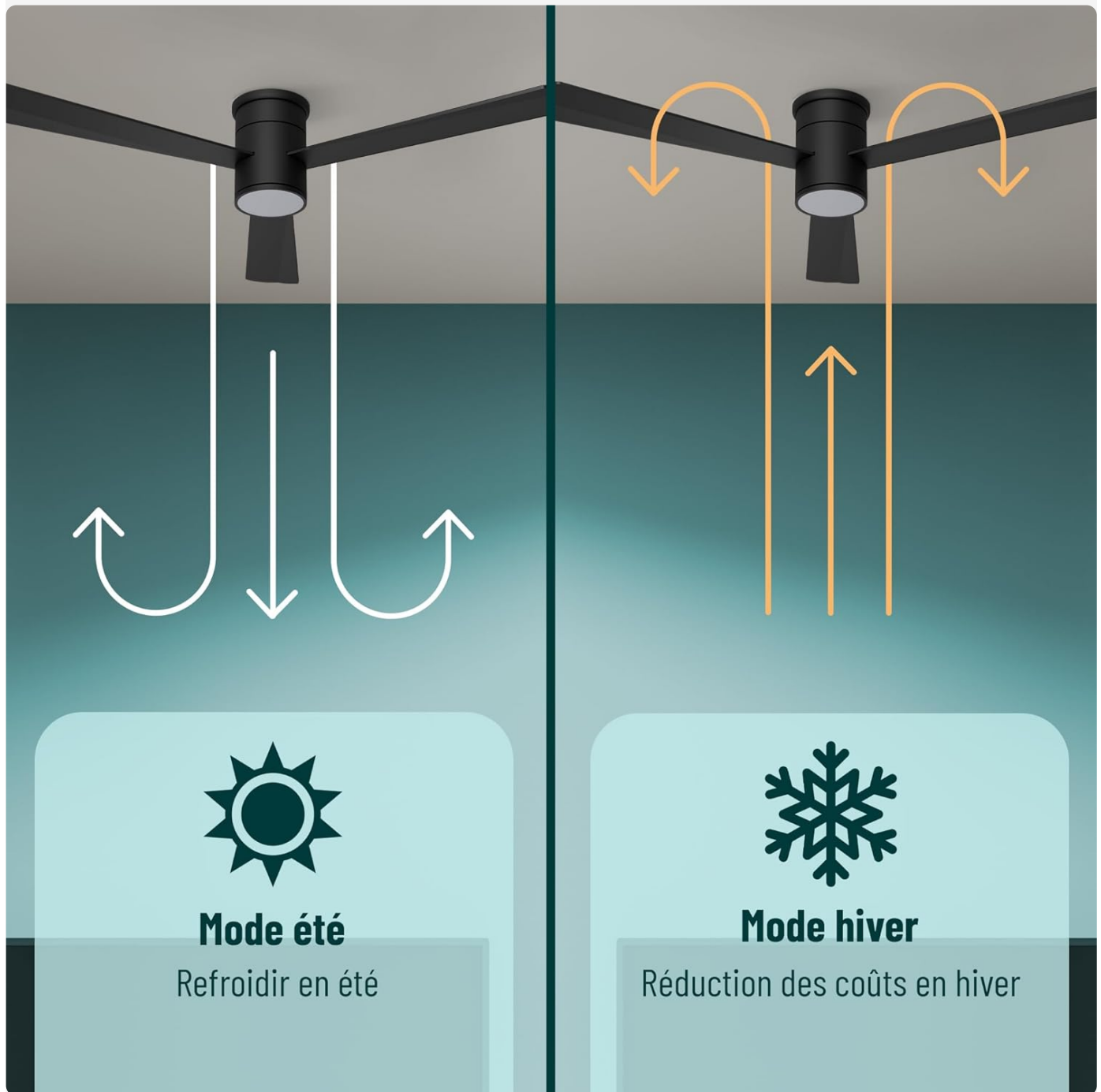


Image: A diagram showing the two operational modes of the Noaton Zoya BB ceiling fan. Summer mode depicts downward airflow for cooling, while winter mode illustrates upward airflow to circulate warm air.

### 5.3 LED Lighting

The integrated LED light offers adjustable color temperature and dimming capabilities.



Image: The Noaton Zoya BB ceiling fan's LED light displaying three color temperature options: 3000K (warm white), 4000K (neutral white), and 6000K (cool white). The image also indicates dimming capabilities from 10% to 100%.

- **Color Temperature:** Cycle through 3000K (warm), 4000K (neutral), and 6000K (cool) to suit your preference.
- **Dimmable:** Adjust the brightness from 10% to 100%.

## 6. MAINTENANCE

Regular maintenance ensures optimal performance and longevity of your fan.


- **Cleaning:**
  - Always turn off power before cleaning.
  - Wipe the fan blades and motor housing with a soft, damp cloth.
  - Do not use abrasive cleaners or solvents.
- **Blade Balance:** Check for any wobbling. If wobbling occurs, ensure all blade screws are tight. A balancing kit (not included) may be used if necessary.

- **Light Module:** The LED module is designed for long life (>30,000 hours) and typically does not require replacement.

## 7. TROUBLESHOOTING

Refer to this section for common issues and their solutions.

Problem	Possible Cause	Solution
Fan does not start	No power supply; Loose wire connections; Remote control battery low.	Check circuit breaker; Verify all wire connections are secure; Replace remote control batteries.
Fan wobbles	Loose blade screws; Unbalanced blades; Improper mounting.	Tighten all blade screws; Use a balancing kit; Ensure mounting bracket is securely installed.
Light does not work	Loose wire connection to light kit; LED module failure; Remote control battery low.	Check light kit wiring; Contact customer support if LED module is faulty; Replace remote control batteries.
Remote control not responding	Batteries are dead or incorrectly inserted; Remote not paired.	Replace batteries, ensuring correct polarity; Refer to pairing instructions (if applicable, usually automatic).
Fan is noisy	Loose screws; Motor noise (normal at high speeds); Obstruction.	Tighten all screws; Ensure no objects are interfering with the blades; Note that some motor sound is normal, especially at higher speeds. The fan operates at a quiet 34 dB.

 **Silencieux**  
34 dB

 **Minuterie**  
1H - 4H - 8H

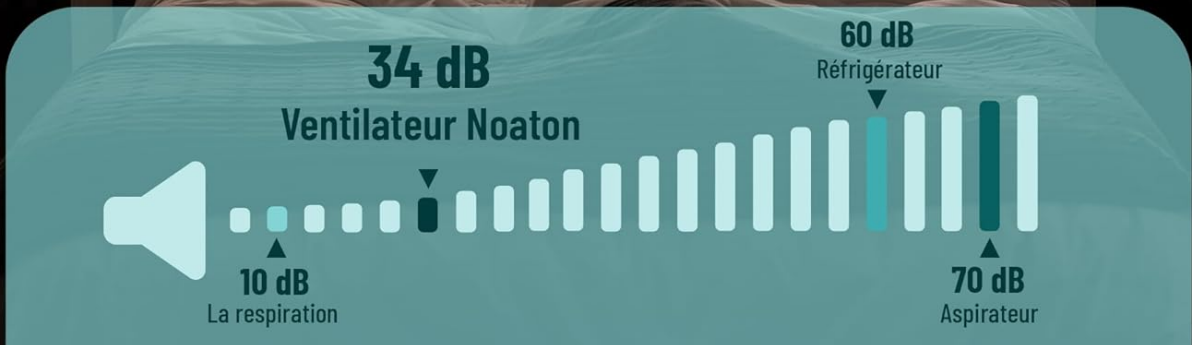


Image: The Noaton Zoya BB ceiling fan operating in a bedroom, emphasizing its silent operation at 34 dB. A comparison chart shows this is significantly quieter than a refrigerator (60 dB) or a vacuum cleaner (70 dB).

## 8. SPECIFICATIONS

Feature	Detail
Brand	Noaton
Model Number	15132BB
Color	Black
Dimensions (L x W x H)	132 x 132 x 23 cm
Item Weight	4.5 Kilograms
Power (Motor)	34 Watts (DC Motor)
Voltage	230 Volts
Noise Level	34 dB
Fan Speeds	6 speeds
Airflow	Max 191 m <sup>3</sup> /min
Rotations Per Minute (RPM)	Max 232 rpm
LED Light Power	22.9 Watts / 2398 Lumens
LED Color Temperature	3000K - 6000K (Dimmable)
LED Lifespan	>30,000 hours
Special Features	Timer, Remote Control, Dimmable Light, Natural Breeze Function, Winter/Summer Mode, Memory Function
Power Source	Hardwired
Recommended Room Size	From 10m <sup>2</sup>

## Moteur DC

Faible niveau sonore et haute efficacité sans compromis sur l'économie d'énergie du ventilateur.

Économique  
Moteur DC  
max. 34 W



Éclairage LED  
22,9 W/2400 lm



6  
vitesses réglables



Image: An illustration highlighting the efficient DC motor of the Noaton Zoya BB ceiling fan, noting its low noise level and high efficiency. Key features like max 34W power consumption, 22.9W/2400lm LED lighting, and 6 adjustable speeds are also displayed.

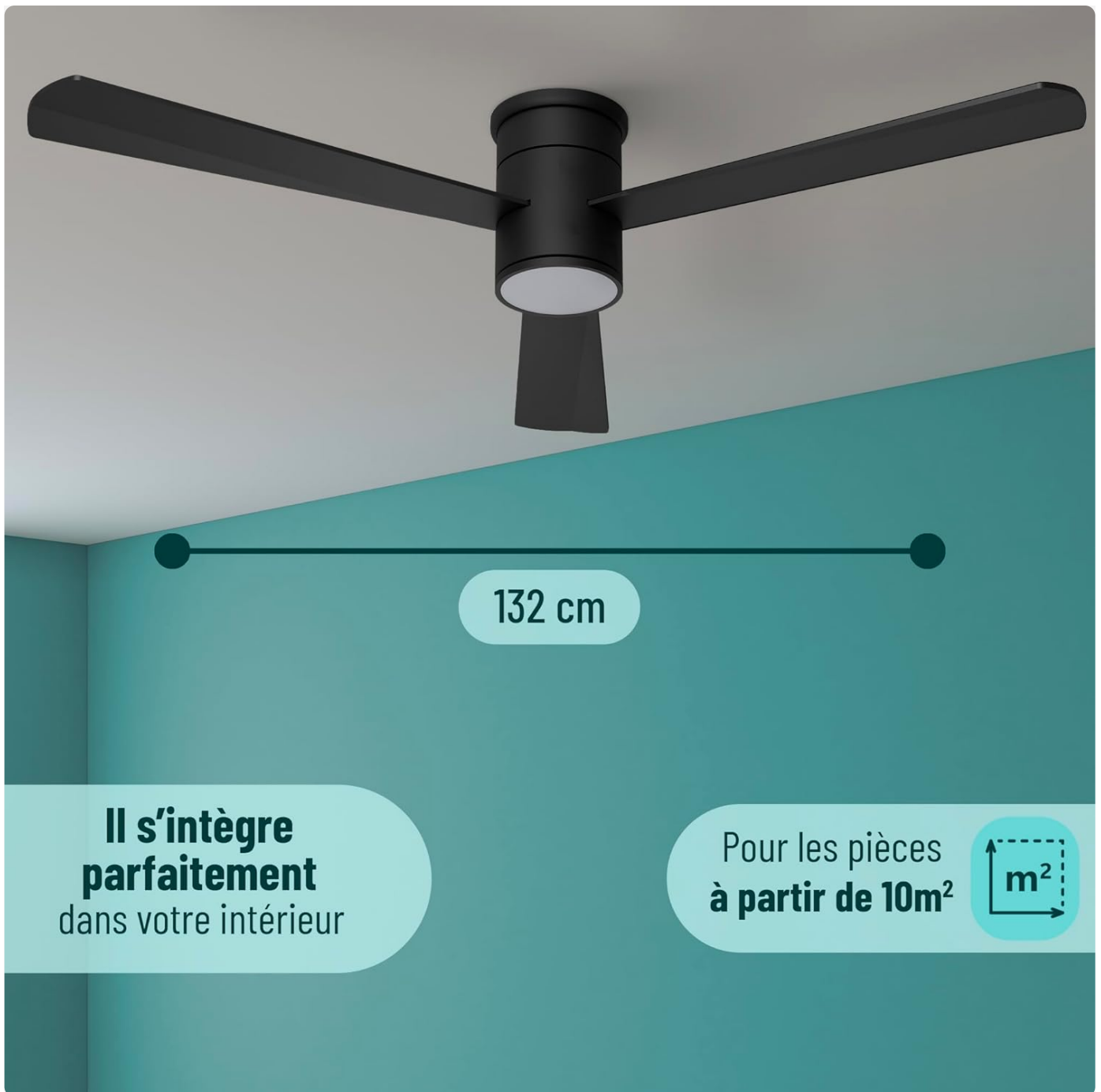


Image: The Noaton Zoya BB ceiling fan installed, with an overlay indicating its 132 cm diameter and suitability for rooms starting from 10 square meters.

## 9. WARRANTY AND SUPPORT

---

For warranty information and customer support, please refer to the documentation included with your purchase or visit the official Noaton website.

**Manufacturer:** Noaton

**Model:** Zoya BB (15132BB)