



[Manuals.plus](#) /

› [MAHANCRIS](#) /

› MAHANCRIS SCWT2101 Storage Chest User Manual

MAHANCRIS SCWT2101

MAHANCRIS SCWT2101 Storage Chest User Manual

Model: SCWT2101

1. INTRODUCTION

Thank you for choosing the MAHANCRIS SCWT2101 Storage Chest. This versatile piece of furniture serves as a storage unit, toy organizer, and shoe bench, designed to enhance organization in your living space. Crafted from engineered wood with a farmhouse style, it features dual safety hinges and built-in handles for convenience and safety. This manual provides essential information for assembly, safe operation, and proper maintenance to ensure long-lasting use.



Figure 1.1: The MAHANCRISSCWT2101 Storage Chest in a living room.

2. SAFETY INFORMATION

- **Weight Capacity:** The top panel supports a maximum weight of 220 lbs (100 kg). Do not exceed this limit to prevent damage or injury.
- **Assembly Safety:** Keep small parts away from children during assembly. Ensure all fasteners are securely tightened before use.
- **Pinch Points:** The chest is equipped with dual safety hinges designed to prevent sudden lid closure. However, always exercise caution when opening and closing the lid to avoid finger pinches.
- **Stability:** Place the chest on a flat, stable surface. Do not stand on the chest.
- **Ventilation:** The U-cut ventilation feature is for air circulation. Do not obstruct it.

3. PACKAGE CONTENTS

Before beginning assembly, please verify that all components are present and undamaged. If any parts are missing or damaged, please contact customer support.

- Storage Chest Panels (various sizes)

- Accessory Kit (includes screws, dowels, safety hinges, handles)
- Instruction Manual (this document)

4. SETUP AND ASSEMBLY

The MAHANCRIS SCWT2101 Storage Chest is designed for straightforward assembly. Each part is labeled, and the accessory kit includes all necessary tools. Follow the step-by-step guide provided in the included assembly instructions for a smooth experience. It is recommended to assemble the unit on a soft, clean surface to prevent scratches.

1. **Unpack and Identify Parts:** Carefully unpack all components and lay them out. Refer to the parts list in your separate assembly guide to identify each piece.
2. **Assemble the Base and Side Panels:** Attach the side panels to the base using the provided screws and dowels. Ensure connections are secure.
3. **Attach the Front and Back Panels:** Connect the front and back panels to the assembled base and side panels.
4. **Install Handles:** Secure the oval-shape black handles to the designated cut-outs on the side panels.
5. **Attach Safety Hinges:** Mount the dual safety hinges to the back panel and the lid. These hinges are crucial for preventing the lid from slamming shut. Ensure they are installed correctly as shown in the assembly guide.
6. **Secure the Lid:** Carefully attach the lid to the installed hinges. Test the opening and closing mechanism to ensure smooth operation and proper function of the safety hinges.



Easy to Move

Oval-shape black handles, easy to operate.



Safety Hinge

Smooth opening and closing, built to last.



Figure 4.1: Detail of the built-in handle and safety hinge.



2 Safety Hinges

Stay in place, ensuring safety with frequent use.



2 Safety Hinge

Prone to wear or deformation, accidental closing risk.

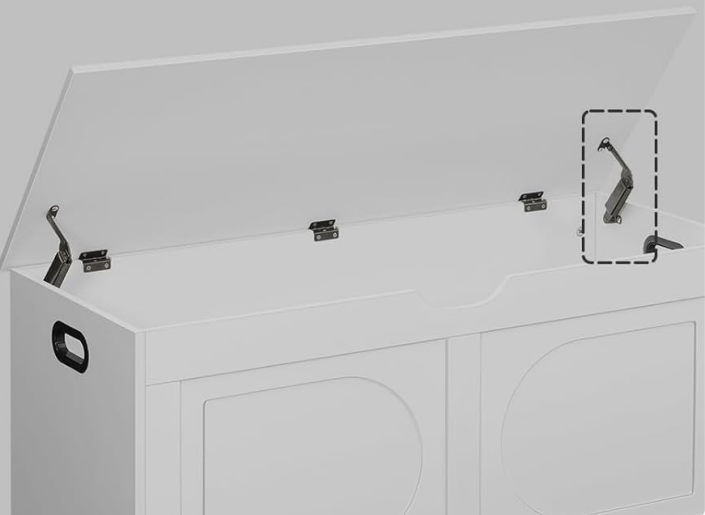


Figure 4.2: Illustration of the dual safety hinges for enhanced safety.

5. OPERATING INSTRUCTIONS

- **Opening the Lid:** Gently lift the lid using the U-cut ventilation opening. The safety hinges will hold the lid open, preventing it from falling unexpectedly.
- **Closing the Lid:** Push the lid down gently. The safety hinges will control the descent, ensuring a slow and safe closure.
- **Storage:** Utilize the 154 L internal capacity for blankets, pillows, toys, shoes, or other household items. Distribute weight evenly.
- **Bench Function:** The top surface can be used as a bench, supporting up to 220 lbs. Ensure the lid is fully closed before sitting on it.
- **Moving the Chest:** Use the built-in oval-shape black handles on both sides to lift and move the chest. Ensure the chest is empty or contents are secured before moving.

154L Capacity

Concealed storage maintains tidy spaces



Figure 5.1: The chest offers 154L of internal storage capacity.



Figure 5.2: The U-cut ventilation opening also serves as a convenient handle for lifting the lid.

6. MAINTENANCE

- **Cleaning:** Wipe the surface with a soft, damp cloth. Avoid using abrasive cleaners or harsh chemicals, as these can damage the finish.
- **Hardware Check:** Periodically check all screws and fasteners to ensure they remain tight. Re-tighten if necessary to maintain stability.
- **Hinge Care:** If hinges become stiff or noisy, apply a small amount of silicone-based lubricant.
- **Avoid Moisture:** Keep the chest away from excessive moisture or direct sunlight to prevent warping or discoloration.

7. TROUBLESHOOTING

- **Lid not closing smoothly:** Check the safety hinges for any obstructions or signs of damage. Ensure they are properly aligned and secured.
- **Chest feels wobbly:** Verify that all assembly screws are fully tightened. If the issue persists, disassemble and reassemble, ensuring all connections are firm.
- **Wood chipping during assembly:** Ensure you are using appropriate hand tools and applying gentle,

consistent pressure when tightening screws. Avoid over-tightening, which can damage engineered wood.

- **Difficulty moving the chest:** Ensure the chest is empty or contents are light and secured. Use both built-in handles for balanced lifting.

8. SPECIFICATIONS

Brand	MAHANCRIS
Model Number	SCWT2101
Material	Engineered Wood
Color	White
Item Dimensions (L x W x H)	43.3" x 15.7" x 18.9" (110cm x 40cm x 48cm)
Internal Capacity	154 Liters
Top Panel Weight Capacity	220 lbs (100 kg)
Item Weight	31.9 lbs (14.5 kg)
Special Features	Built-In Handles, Portable, Dual Safety Hinges, U-cut Ventilation



Figure 8.1: Product dimensions and weight capacity.

9. WARRANTY

MAHANCRIS products are covered by a limited warranty against manufacturing defects. Please refer to the warranty card included with your purchase or visit the official MAHANCRIS website for detailed warranty terms and conditions. Keep your proof of purchase for warranty claims.

10. SUPPORT

For any questions, assistance, or to report missing/damaged parts, please contact MAHANCRIS customer support. You can typically find contact information on the MAHANCRIS official website or through the retailer where you purchased the product. Please have your model number (SCWT2101) and purchase details ready when contacting support.