



[Manuals.plus](#) /

› [VERVEWAVE](#) /

› VERVEWAVE WT8150-New Cordless Angle Grinder Instruction Manual

VERVEWAVE WT8150-New

VERVEWAVE WT8150-New Cordless Angle Grinder Instruction Manual

Model: WT8150-New

INTRODUCTION

This manual provides essential information for the safe and effective operation, maintenance, and care of your VERVEWAVE WT8150-New Cordless Angle Grinder. Please read and understand all instructions before using the tool. Keep this manual for future reference.

Note: This product is sold as a tool only and does not include a battery or charger. It is designed for compatibility with DEWALT 20V lithium-ion batteries (e.g., DCB200, DCB201, DCB203, DCB204, DCB205, DCB206).



Figure 1: VERVEWAVE WT8150-New Cordless Angle Grinder

SAFETY INFORMATION

Always follow basic safety precautions to reduce the risk of fire, electric shock, and personal injury when using power tools.

General Power Tool Safety Warnings:

- Always wear eye protection, such as safety goggles or a face shield, and hearing protection.
- Wear appropriate clothing. Do not wear loose clothing or jewelry. Keep hair and clothing away from moving parts.
- Ensure the workpiece is securely clamped or held.
- Keep hands away from the rotating wheel.
- Do not operate the tool in explosive atmospheres, such as in the presence of flammable liquids, gases, or dust.
- Keep children and bystanders away while operating a power tool.
- Maintain good footing and balance at all times.
- Disconnect the battery pack before making any adjustments, changing accessories, or storing the tool.
- Use the correct wheel for the application. Ensure the wheel is rated for the tool's maximum RPM.
- Inspect the wheel for damage before each use. Do not use damaged wheels.
- Ensure the guard is properly installed and adjusted before operation.

Specific Angle Grinder Safety:

- The tool features a **lock switch** for enhanced safety, preventing accidental startup. Always ensure the switch is in the OFF position when not in use or when changing accessories.
- The **soft start** feature reduces initial torque, providing smoother startup and better control.

- **Power failure protection** stops the tool within 1.5 seconds of releasing the power switch, enhancing user safety.
- Always use the auxiliary handle for maximum control.
- Be aware of sparks and flying debris during operation.

PRODUCT OVERVIEW

The VERVEWAVE WT8150-New Cordless Angle Grinder is equipped with a powerful brushless motor and variable speed control for versatile applications including cutting, grinding, and polishing.



Figure 2: Key Components of the Angle Grinder

Key Features:

- **Brushless Motor**: Delivers up to 8500 RPM, offering longer service life, increased power, and quieter operation compared to brushed motors.
- **6 Variable Speeds**: Adjustable speeds from 3000 RPM to 8500 RPM for optimal performance across various tasks.
- **Ergonomic Design**: Comfort grip and a 3-position non-slip auxiliary handle for improved control and reduced

fatigue.

- **Efficient Heat Dissipation:** Three-dimensional vent design prevents overheating and prolongs tool life.
- **Safety Features:** Lock switch, soft start, and power failure protection.



Figure 3: Brushless Motor Technology

SETUP

1. Battery Installation

This angle grinder is compatible with DEWALT 20V lithium-ion batteries. Ensure the battery is fully charged before use.

1. Align the battery pack with the battery port on the tool.
2. Slide the battery pack into the tool until it clicks securely into place.
3. To remove, press the battery release button and slide the battery out.

COMPATIBILITY WITH

Dewalt 20V Li-ion Battery



Figure 4: Battery Compatibility and Installation Area

2. Auxiliary Handle Attachment

The auxiliary handle can be attached in three positions for optimal control and comfort, suitable for both right-handed and left-handed users.

1. Screw the auxiliary handle into one of the three threaded holes on the gear housing.
2. Tighten securely by hand.

3-Position Side Handle

For greater control and comfort for both right-handed and left-handed users



Tool-Free Adjustment of Guard Angle

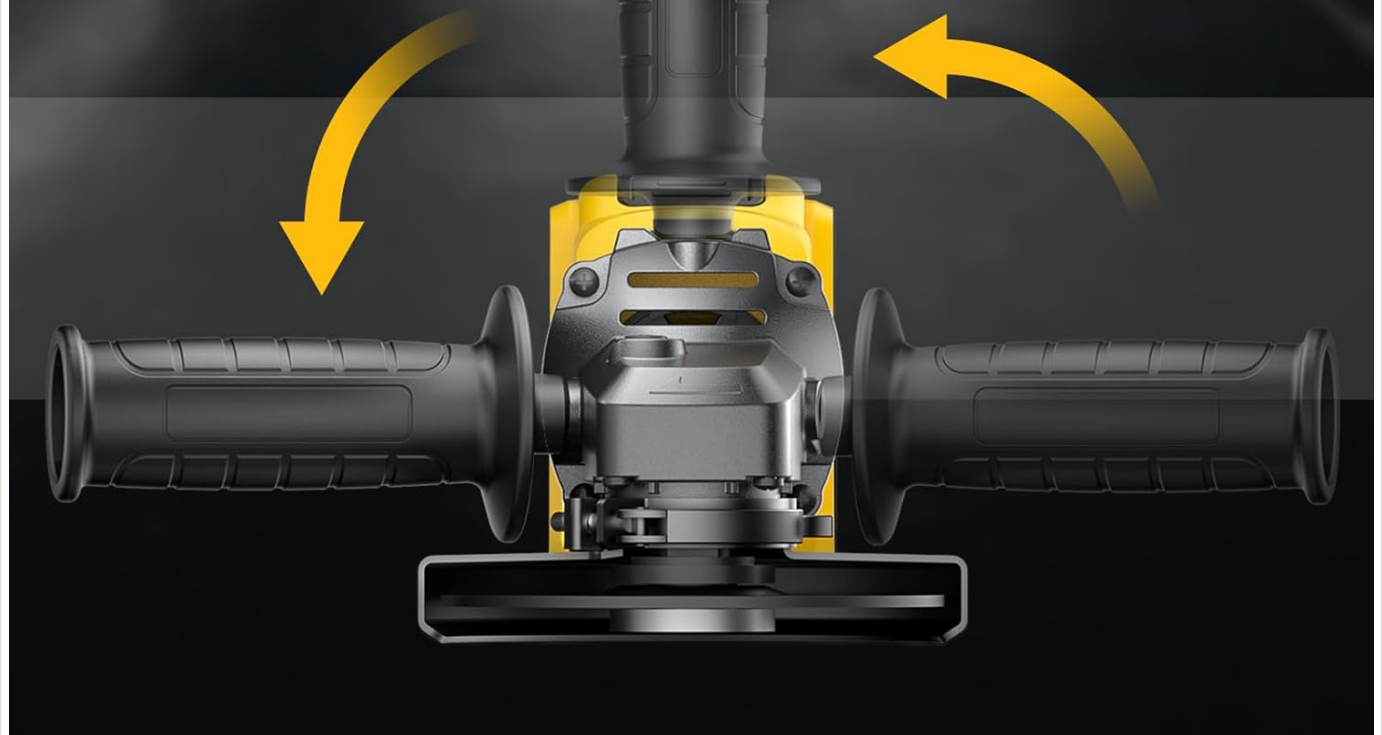


Figure 5: Auxiliary Handle Positions

3. Guard Adjustment

The guard can be adjusted without tools to protect against sparks and debris.

1. Loosen the guard by rotating it counter-clockwise.
2. Adjust the guard to the desired position for optimal protection.
3. Tighten the guard by rotating it clockwise until secure.

4. Grinding Wheel Installation

Always ensure the tool is switched off and the battery is removed before installing or changing grinding wheels.

1. Press and hold the spindle lock button.
2. Use the supplied wrench to loosen and remove the outer flange nut.
3. Place the desired 4-1/2 inch grinding or cutting wheel onto the spindle, ensuring it sits flush against the inner flange.
4. Replace the outer flange nut and tighten it securely with the wrench while still holding the spindle lock button.

5. Release the spindle lock button.

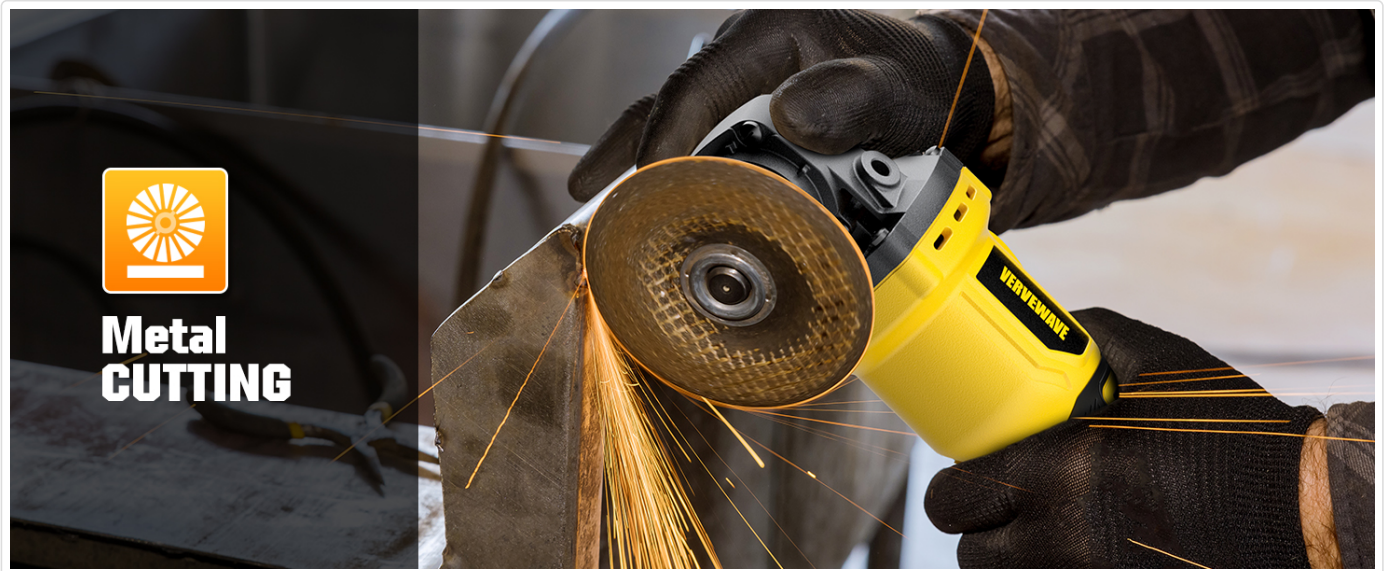


Figure 6: Grinding Wheel Installation Steps

OPERATING INSTRUCTIONS

1. Powering On/Off

- To turn ON: Slide the lock switch forward and press the trigger switch. The tool will start with a soft start for controlled operation.
- To turn OFF: Release the trigger switch. The tool will stop within 1.5 seconds due to power failure protection.

2. Variable Speed Selection

The grinder features 6 variable speed settings, indicated on the smart CNC panel. Adjust the speed according to the material and task.

6 VARIABLE SPEED

Max 8500 RPM

5 6800 RPM 6 8500 RPM



3 4800 RPM 4 5800 RPM



1 3000 RPM 2 4000 RPM



Figure 7: Variable Speed Control Panel

- **Speeds 1-2 (3000-4000 RPM):** Ideal for fine sanding and working with delicate materials.
- **Speeds 3-4 (4800-5800 RPM):** Suitable for general sanding and finishing tasks, such as paint removal.
- **Speeds 5-6 (6800-8500 RPM):** Recommended for fast cutting and rough grinding applications.

3. Applications

The VERVEWAVE angle grinder is suitable for various tasks:

- **Cutting:** Use appropriate cutting wheels for metal, tile, or masonry. Apply steady, even pressure.
- **Grinding:** Use grinding wheels for material removal, deburring, and shaping. Maintain a consistent angle.
- **Polishing:** Use polishing pads and compounds for surface finishing. Use lower speeds for best results.



Figure 8: Angle Grinder Applications

MAINTENANCE

1. Cleaning

- Regularly clean the tool's ventilation openings to ensure proper airflow and prevent overheating.
- Use a soft brush or compressed air to remove dust and debris from the motor housing and vents.
- Wipe the exterior with a damp cloth. Do not use harsh chemicals or abrasive cleaners.

THREE-DIMENSIONAL HEAT DISSIPATION

Keep away from machine overheating, improve machine lifetime



Figure 9: Heat Dissipation System

2. Storage

- Store the tool in a dry, secure location out of reach of children.
- Remove the battery pack before storing for extended periods.
- Protect the tool from direct sunlight and extreme temperatures.

TROUBLESHOOTING

Problem	Possible Cause	Solution
Tool does not start	Battery not installed correctly or discharged. Lock switch not engaged.	Ensure battery is fully charged and properly seated. Engage the lock switch before pressing the trigger.

Problem	Possible Cause	Solution
Tool stops during operation	Overload protection activated. Battery discharged.	Reduce pressure on the tool. Allow the tool to cool. Recharge or replace the battery.
Excessive vibration	Damaged or improperly installed wheel. Loose auxiliary handle.	Inspect wheel for damage and replace if necessary. Ensure wheel is correctly installed and outer flange nut is tightened. Tighten auxiliary handle.
Reduced performance	Battery low. Incorrect speed setting. Worn wheel.	Recharge battery. Select a higher speed setting. Replace worn grinding wheel.

SPECIFICATIONS

Model Number	WT8150-New
Brand	VERVEWAVE
Power Source	Battery Powered (DEWALT 20V compatible)
Voltage	20 Volts (DC)
Maximum Rotational Speed	8500 RPM
Variable Speeds	6 (3000-8500 RPM)
Wheel Diameter	4-1/2 inches
Arbor Size	7/8 inch
Item Weight	3.94 pounds
Material	Metal
Included Components	4-1/2 inch angle grinder (Tool Only)

WARRANTY AND SUPPORT

For warranty information, technical support, or service inquiries, please contact VERVEWAVE customer service through the retailer where the product was purchased or visit the official VERVEWAVE website. Please have your model number (WT8150-New) and purchase date available when contacting support.

