

Uckazy Linux CCC System

Uckazy 12.3-inch Linux CarPlay/Android Auto Multimedia System User Manual

Model: Linux CCC System (B0F37S2DW5)

1. INTRODUCTION

This manual provides instructions for the installation, operation, and maintenance of your Uckazy 12.3-inch Linux CarPlay/Android Auto Multimedia System. This system is designed to upgrade your vehicle's infotainment experience while retaining original car functions.

1.1 Compatibility

This multimedia system is compatible with **BMW 3 and 5 Series E60, E61, E62 vehicles manufactured between 2005 and 2008**, specifically those equipped with the **CCC system**. Please verify your vehicle's system type before installation. If you are unsure, consult a professional or contact customer support.



Image: Compatible Models & Year. Ensure your car has the 10-pin LVDS port (CCC System) as shown with the green checkmark. The 4-pin LVDS port (CIC System) is not compatible.

1.2 Key Features

- **12.3-inch Ultra-Narrow IN-CELL Touch Screen:** Features HD 1920x720 resolution and full lamination technology for enhanced clarity and reduced reflection.
- **Dual System Integration:** Seamlessly switch between the Linux system and your original car's CCC system with a single click.
- **Retains Original Functions:** Preserves original car radio, amplifier, steering wheel controls, iDrive knob, display of vehicle data (speed, fuel, oil pressure, safety warnings), and original reverse camera functionality.
- **Wireless Connectivity:** Supports wireless (and wired) Apple CarPlay, Android Auto, wireless MirrorLink for iOS and Android, Bluetooth, and Wi-Fi.
- **Built-in DSP:** 16 EQ segments with preset tuning methods for improved and detailed sound quality.
- **Voice Assistant Integration:** Access map navigation, phone contacts, email, notifications, and music via Siri or Google Voice Assistant.
- **Automatic Day/Night Mode:** Adjusts screen brightness based on your car's original headlights for optimal visibility.

2. WHAT'S IN THE BOX

Please ensure all the following components are present in your package:

- 12.3-inch In-cell display
- Frame
- Plug and play power Cable
- USB/AUX/RCA Cable
- Installation tools and touch pen

3. SETUP AND INSTALLATION

Installation requires careful attention to wiring and connections. It is recommended to seek professional installation if you are not comfortable with automotive electronics.

3.1 Wiring Connections

Follow the wiring diagram carefully. Ensure all connections are secure to prevent issues such as "no Car Home" errors or sound distortion.



ONE CLICK SWITCHING BETWEEN DUAL SYSTEMS

Convert to the Original Car CCC System

Convert to the LINUX System



Image: Wire Definition and Linking. This diagram illustrates how to connect the new system to your car's existing wiring harness, including the fiber optic cable.

3.1.1 Fiber Optic Cable Transfer

The first step involves carefully removing the fiber optic cable from the original car CD harness and inserting it into the new Linux system harness. This is crucial for sound functionality.

Your browser does not support the video tag.

Video: How to transfer fiber optic cables. This video demonstrates the process of transferring the fiber optic cable from the original harness to the new system's harness. Ensure the snap is cocked before pulling out the cable and pay attention to the correct interface when plugging into the new power cable.

3.1.2 Power Cable Connection

Connect the new power cable to the original power cable. Ensure a secure connection to avoid intermittent power issues.

3.1.3 USB Connections

For wired CarPlay or Android Auto, use USB1 (data link). USB2 is for storage. If you experience noise in the sound, connect the AB cable as indicated in the wiring diagram.

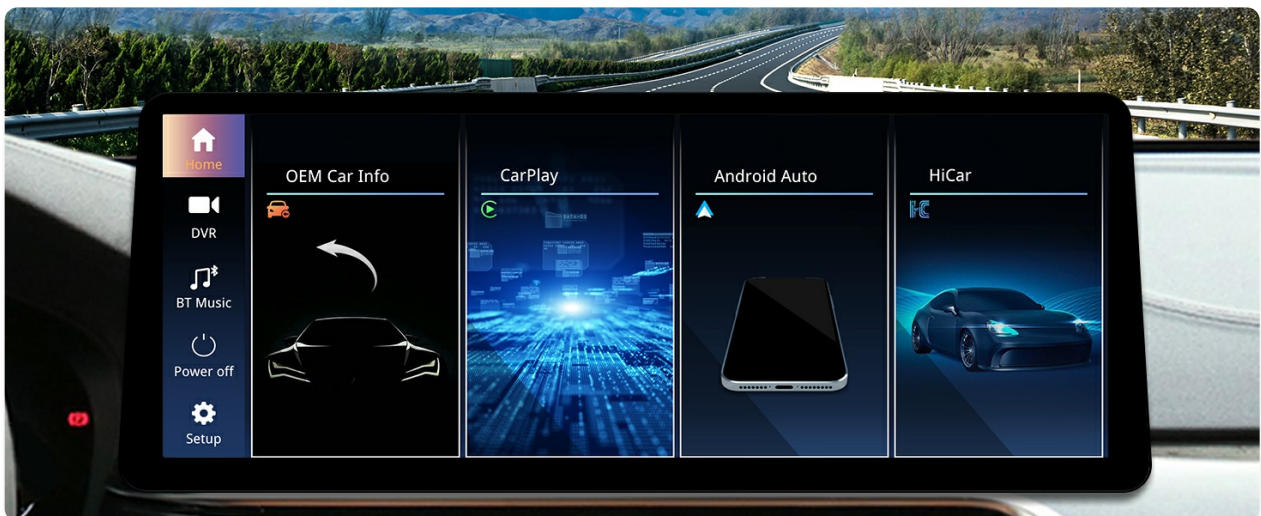


Image: How to connect with wired CarPlay/Android Auto. USB1 is for data, USB2 for storage. Also shows connection for reducing sound noise.

3.2 Initial System Configuration

After physical installation, configure the system settings for optimal performance.

3.2.1 Setting OEM Resolution

It is critical to set the correct OEM screen resolution in the system settings. Incorrect resolution may prevent original car information from displaying correctly. For CCC systems, a common resolution is 400x240. If unsure, try different options until the display is correct.



Image: How to Set the OEM Resolution and How to Set the OEM cameras. Navigate to Setup > Car Settings > Original Car's Screen Resolution and select the appropriate option. For cameras, select Original or Aftermarket.

3.2.2 AUX Audio Setup

To ensure audio from the new system plays through your car's speakers, the AUX input must be correctly configured. First, plug into the stock AUX port (usually in the manual gear position or passenger side storage box). Then, disable the AUX auto-switching setting in the system menu.

Technical Support

We investigated the returns in recent years and found that 92% percent of the customers returned the car because they can't set it up or set it up wrongly and wrong link cable. When you encounter problems such as installation, sound, carplay, original car UI doesn't display, please contact us in time and the technician will give you the solution. Please contact us, thank you!

STEP 1

In Stock

[Add to Cart](#)

[Buy Now](#)

Ships from **Amazon**

Sold by **Uckzay Factory Outlet**

Returns **30-day refund/replacement**

Payment **Secure transaction**

STEP 2

Uckzay Factory Outlet

Uckazy Visit the Uckzay Factory Outlet storefront

★★★★★ 100% positive lifetime (2 total ratings)

About Seller

Shenzhen Yukaz Electronics Co., Ltd. was established in 2021, but our shareholders have been focusing on automotive electronic products for 15 years. Our company has always adhered to the principle of "quality first, customer first, and high-quality service." The company has always adhered to the principle of "keeping promises and abiding by contracts". With high-quality products, good reputation, and excellent service, our products sell well in Southeast Asia, Europe, the Middle East, South Ame...

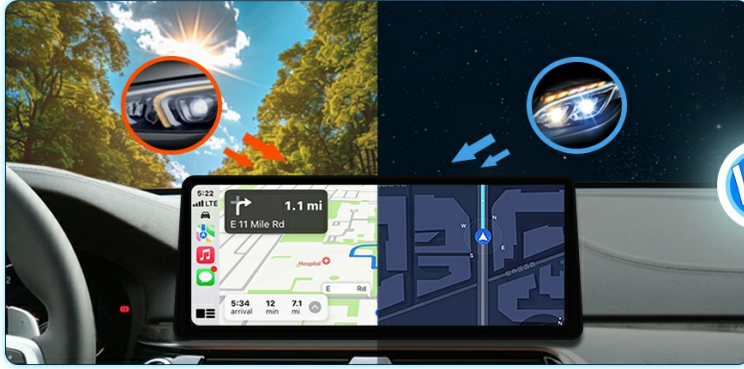
Have a question for Uckzay Factory Outlet?

[Ask a question](#)

Image: Stock AUX connection and disabling AUX auto-switching. Ensure the physical AUX connection is made and the "Auto Switch to AUX" setting is configured correctly (e.g., Harman Head Unit or Alpine Head Unit).

For manual AUX setting, go to Main menu > Multimedia > External devices. Long press number "8" every time before entering the new system until you hear a tone, then CarPlay sound will be active.

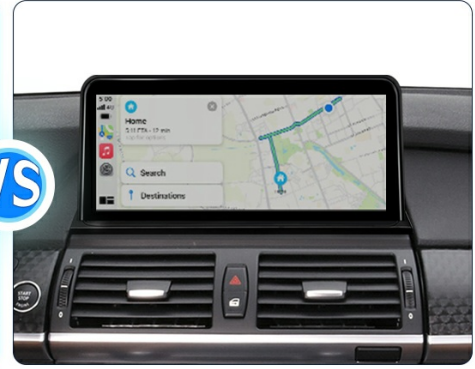
✔ Uckazy Product



Support Automatic Light-sensitive

Automatic light sensitivity adjusts the day and night mode to your car's original headlights.

Other Product



Don't Support Automatic Light-sensitive

Other products do not automatically adjust the day and night mode, which is not conducive to driving safety.

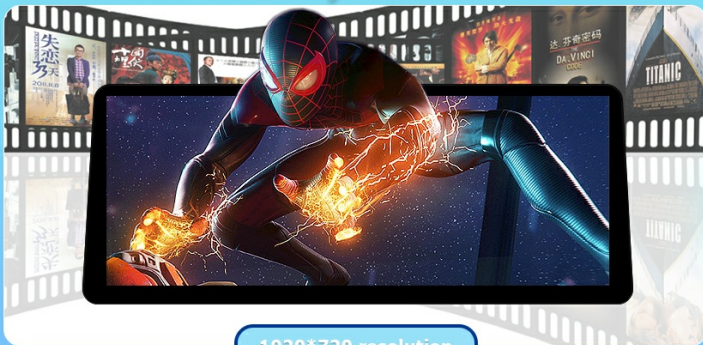
Image: Automatic switch to AUX and Manual AUX Setting Method. Details steps for both automatic and manual configuration of the AUX audio input.

4. OPERATING INSTRUCTIONS

4.1 System Overview and Switching

The system operates on a dual platform, allowing you to switch between the new Linux multimedia interface and your original BMW CCC system. This ensures all original vehicle functions remain accessible.

Uckazy Product



1920*720 resolution

- ✔ Screen picture is clearer
- ✔ Ultra Narrow screen
- ✔ In-cell screen

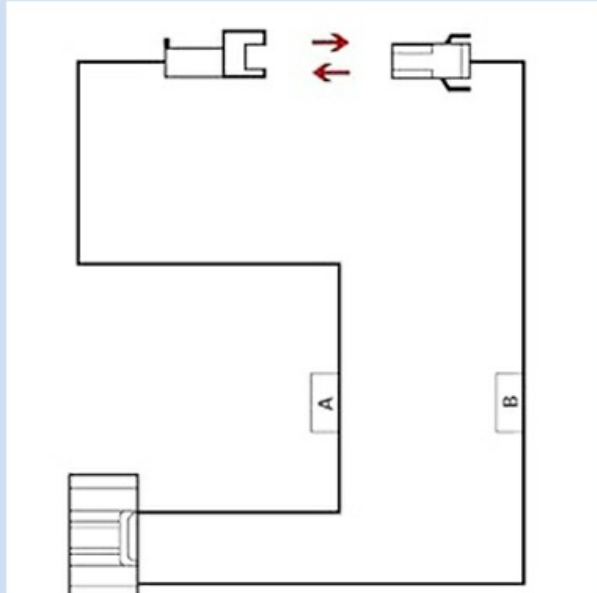
Other Products

1280*480 resolution



- ✘ Screen blur
- ✘ Bezel too wide
- ✘ Screen gap

Image: Uckazy Linux Ultra Narrow screen interface. Shows the main screen of the Linux system with various application icons.

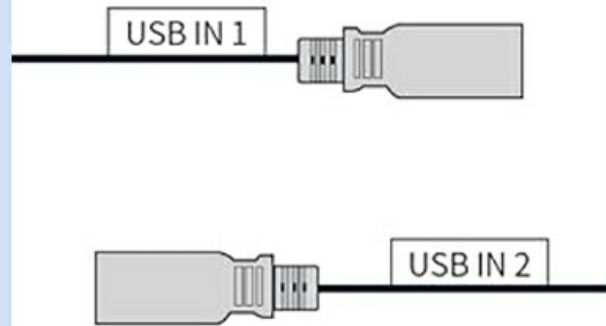


How connect with wired carplay/android auto

USB1 is a data link, USB2 is a read storage link.

If you need to link CarPlay or Android Auto, please link to UsB1.

must use USB IN 1



If there is any noise in the sound

If the Sound of the carplay or android auto is distorted (noise), you need connect with AB

Image: Support Original OEM System. Highlights the retention of original car knob, steering wheel buttons, hand-touch, factory rear view camera, amplifier system, and original Bluetooth.

Your browser does not support the video tag.

Video: Product Display Operating System. Demonstrates the user interface and functionality of the Linux system, including switching between the original car system and the new interface.

4.2 Wireless CarPlay & Android Auto

Connect your smartphone wirelessly for seamless integration of navigation, music, calls, and more.

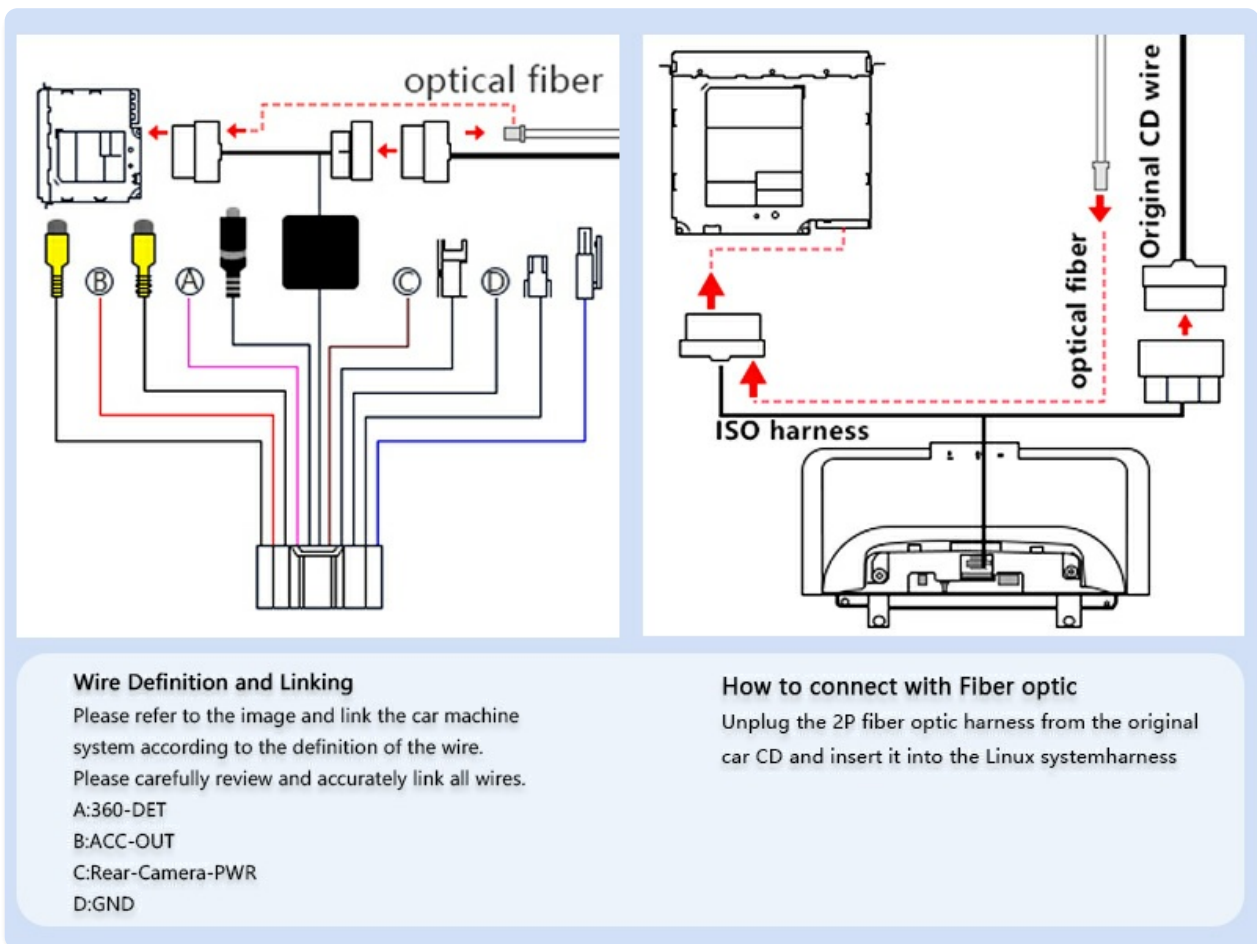


Image: Support Wireless CarPlay Android Auto. Shows the interfaces for both wireless CarPlay and Android Auto.

4.2.1 Connecting to Wireless CarPlay

1. Ensure the necessary wires are connected on the machine (LVDS and power cord).
2. On your iPhone, go to Settings > Bluetooth and turn on Bluetooth.
3. On the Uckazy system, navigate to Setup > Bluetooth.
4. Find the Bluetooth connection for the screen (e.g., "CAR-BT-7B:0") on your iPhone and pair.
5. Open Siri voice on your iPhone.
6. The CarPlay interface should now appear on the Uckazy screen.

Your browser does not support the video tag.

Video: Product Display Operating System. This video demonstrates the process of connecting to wireless CarPlay, including Bluetooth pairing and enabling Siri.

4.2.2 Navigation and Music Playback

Utilize map applications for navigation and stream music directly from your phone through the system. Both can be controlled via the touchscreen or original iDrive controller.

Your browser does not support the video tag.

Video: 12.3" Linux Touchscreen for BMW - Take the example of 3 CCC. This video shows the CarPlay interface in action, demonstrating map navigation, music playback, and interaction with the iDrive controller.

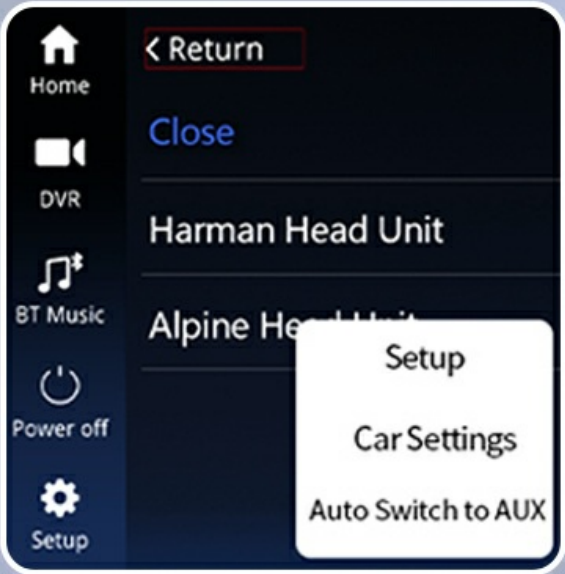
4.2.3 Voice Control and Hands-Free Calling

Use Siri or Google Voice Assistant for hands-free control of calls, messages, and navigation. The system supports hands-free phone calls for safer driving.

4.3 Automatic Day and Night Mode


The system automatically adjusts screen brightness and display mode (day/night) based on your car's original headlights, ensuring optimal visibility in various lighting conditions.

Automatic switch to AUX



Refer to image setup> car settings>auto switch to aux>select harman or alpine .

Manual AUX Setting Method



- 1: Go to "Main menu" and select "Multimedia"
- 2: Then select "External devices"
- 3: We long press the number key "8", when we hear the tone ringing, we are set!
- 4: Press 8 every time before entering the new system, You'll get the carPlay sound.

Image: Day And Night Mode. Illustrates how the screen automatically adjusts for optimal viewing during day and night driving.

4.4 Camera and Parking Assistance

The system supports your original factory rearview camera and parking radar. Ensure the camera type is correctly set in the system settings (Setup > Car Settings > Reversing Settings > Camera Type).

5. MAINTENANCE

To ensure the longevity and optimal performance of your Uckazy multimedia system, follow these maintenance guidelines:

- **Screen Cleaning:** Use a soft, lint-free cloth slightly dampened with water or a screen-specific cleaner. Avoid harsh chemicals, abrasive materials, or excessive moisture.
- **Avoid Extreme Temperatures:** Do not expose the unit to prolonged direct sunlight or extreme cold, as this can affect screen performance and lifespan.
- **Software Updates:** Periodically check for firmware updates from the manufacturer to ensure you have the latest features and bug fixes.
- **Cable Management:** Ensure all cables are securely tucked away and not pinched or exposed to prevent damage.

6. TROUBLESHOOTING

If you encounter issues with your Uckazy multimedia system, refer to the following common problems and solutions:

Problem	Possible Cause / Solution
"No Car Home" or incorrect iDrive display	The OEM screen resolution may be set incorrectly. Navigate to Setup > Car Settings > Original Car's Screen Resolution and select the correct resolution for your CCC system (e.g., 400x240). Try different options if unsure.
No sound or distorted sound from CarPlay/Android Auto	<ul style="list-style-type: none">• Ensure the fiber optic cable is correctly transferred and securely connected.• Verify the AUX input is properly connected and configured (see Section 3.2.2).• If using wired connection, ensure the AB cable is connected to reduce noise.• Check the DSP settings (16 EQ segments) for any unusual configurations.
Power cable connection is loose or intermittent	Ensure the power cable is firmly snapped into place. The connection can be delicate; apply gentle but firm pressure.
Reverse camera not displaying	Check the camera settings: Setup > Car Settings > Reversing Settings > Camera Type . Select "Original Camera" if using the factory camera, or "Aftermarket Camera" if you installed a new one.
CarPlay/Android Auto not connecting wirelessly	<ul style="list-style-type: none">• Ensure Bluetooth is enabled on both your phone and the Uckazy system.• Verify your phone is paired with the system's Bluetooth.• For CarPlay, ensure Siri is enabled on your iPhone.• Check that the LVDS and power cords are correctly connected.

If you continue to experience problems, please contact Uckazy customer support for assistance.

7. SPECIFICATIONS

- **Screen Size:** 12.3 inches
- **Display Resolution:** HD 1920x720
- **Screen Technology:** IN-CELL, Full Lamination, 2.5D Touch Screen
- **Operating System:** Linux
- **Connectivity:** Wireless/Wired Apple CarPlay, Wireless/Wired Android Auto, Wireless MirrorLink (iOS/Android), Bluetooth, Wi-Fi
- **Audio Processing:** Built-in DSP with 16 EQ segments
- **Audio Output Mode:** Stereo

- **Surround Sound Channel Configuration:** 2.0
- **Compatible Devices:** Smartphone
- **Control Type:** Touchscreen, iDrive Controller, Steering Wheel Buttons, Voice Assistant (Siri/Google)
- **Package Dimensions:** 15.16 x 7.48 x 6.85 inches
- **Item Weight:** 3.91 pounds
- **Manufacturer:** Uckazy

Your browser does not support the video tag.

Video: Details for 12.3 inch Ultra-Narrow Touchscreen (Preview). This short video highlights the ultra-thin design and narrow bezel of the screen, emphasizing its modern aesthetic and improved visual experience.

8. WARRANTY AND SUPPORT

This product is sold by Uckazy Factory Outlet. For any issues or support, please contact the seller directly through the Amazon platform.

- **Return Policy:** 30-day refund/replacement policy.
- **Technical Support:** If you encounter problems with installation, sound, CarPlay, original car UI display, or any other technical issues, please contact Uckazy Factory Outlet. They are committed to providing solutions.

First make sure to plug in the stock AUX
(in the manual gear position or in the passenger side storage box),
then go to settings and turn off the AUX auto switching setting



AUX

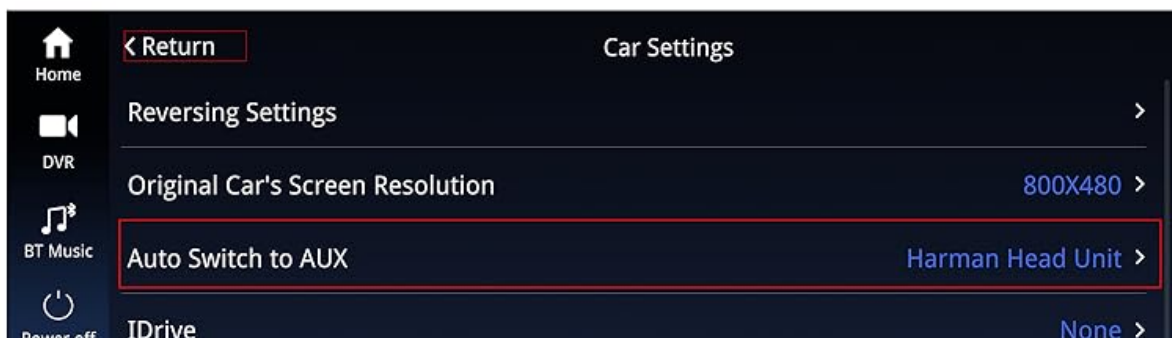


Image: Technical Support. Shows how to contact the seller, Uckazy Factory Outlet, for assistance with installation or operational issues.

