



[Manuals.plus](#) /

> [Smad](#) /

> Smad 2-in-1 Front Load Washer and Dryer Combo (2.7 Cu. Ft.) Instruction Manual

## Smad FBM-DWF-120A14LBMU-4

# Smad 2-in-1 Front Load Washer and Dryer Combo (2.7 Cu. Ft.) Instruction Manual

Model: FBM-DWF-120A14LBMU-4

## INTRODUCTION

---

This manual provides essential information for the safe and efficient operation of your Smad 2-in-1 Front Load Washer and Dryer Combo. Please read all instructions carefully before installation and use, and retain this manual for future reference.

## SAFETY INFORMATION

---

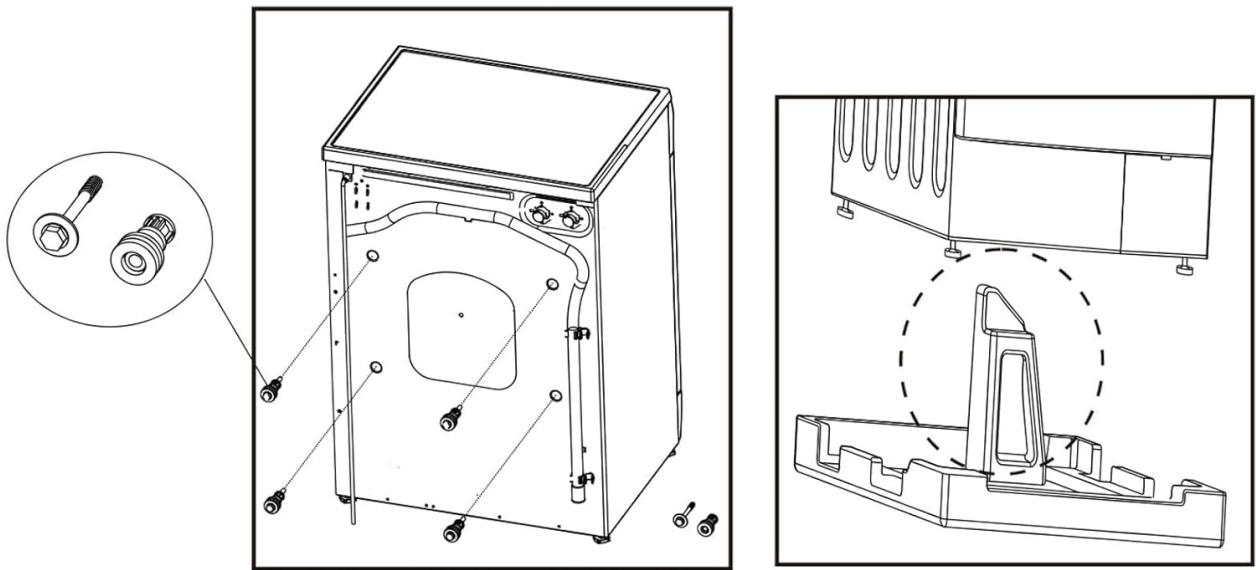
**WARNING: To reduce the risk of fire, electric shock, or injury to persons, read these important safety instructions before operating this appliance.**

- Ensure the appliance is properly grounded.
- Do not operate the appliance if it is damaged.
- Keep flammable materials away from the appliance.
- Supervise children when the appliance is in use.
- Unplug the appliance before cleaning or performing any maintenance.

**IMPORTANT: Transport bolts MUST be removed before installation.**

# WARNING:

- ▶ Please remove transport bolts from the backside of this machine.
- ▶ Remove the small triangle foam with the bottom one together.



**Image:** Diagram illustrating the removal of transport bolts and spacers from the rear of the appliance, and covering the holes with plugs. These bolts are crucial for securing the drum during transit and must be removed for proper operation.

1. Loosen and remove all bolts and plastic spacers (including rubber grommets) with a spanner.
2. Cover the holes with transport hole plugs.
3. Save the transport bolts properly for future use, such as if you need to move the appliance again.

## SETUP AND INSTALLATION

The Smad 2-in-1 Washer and Dryer Combo is designed for compact spaces, making it suitable for apartments, dorms, and RVs. Proper installation is crucial for optimal performance and safety.

### Dimensions and Placement:

- **Dimensions (WxDxH):** 23.4 x 25.6 x 33.5 inches
- **Item Weight:** 172 pounds
- Ensure at least 25 mm (approximately 1 inch) spacing on all sides of the appliance to reduce noise and allow for proper ventilation.
- Place the appliance on a firm, level surface.

# Compact Size

## Washer and Dryer Combo



**Image:** The Smad 2-in-1 Washer Dryer Combo with its compact dimensions highlighted, showing its suitability for small spaces. The front-load door is open, revealing the drum.

### Electrical and Water Connections:

- **Voltage:** 120 Volts
- **Amperage:** 11 Amps
- Connect to a dedicated, properly grounded electrical outlet.
- Connect the hot and cold water supply hoses to the appropriate inlets on the back of the machine and to your household water supply. Ensure all connections are tight to prevent leaks.
- Position the drain hose securely into a standpipe or laundry tub.

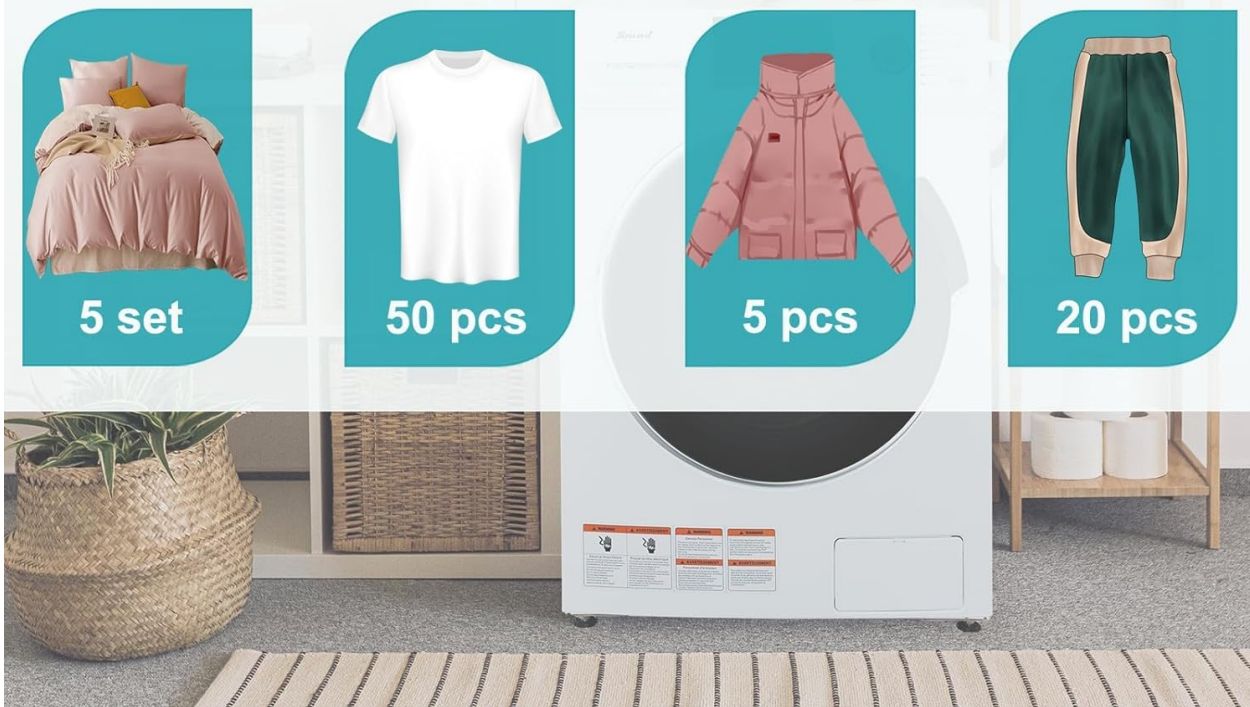
### OPERATING INSTRUCTIONS

Your Smad 2-in-1 Washer and Dryer Combo features an intuitive LED display and 16 wash cycles to meet various laundry needs.

### Loading the Appliance:

## Large Capacity

Meets diverse laundry requirements,  
ideal for household use.



**Image:** Visual representation of the appliance's large capacity, demonstrating the volume of various clothing items it can accommodate in a single load.

- Open the front-load door.
- Load clothes loosely into the drum, ensuring not to overfill. A 26 lbs capacity is available.
- Close the door firmly.

### Detergent and Softener Dispenser:



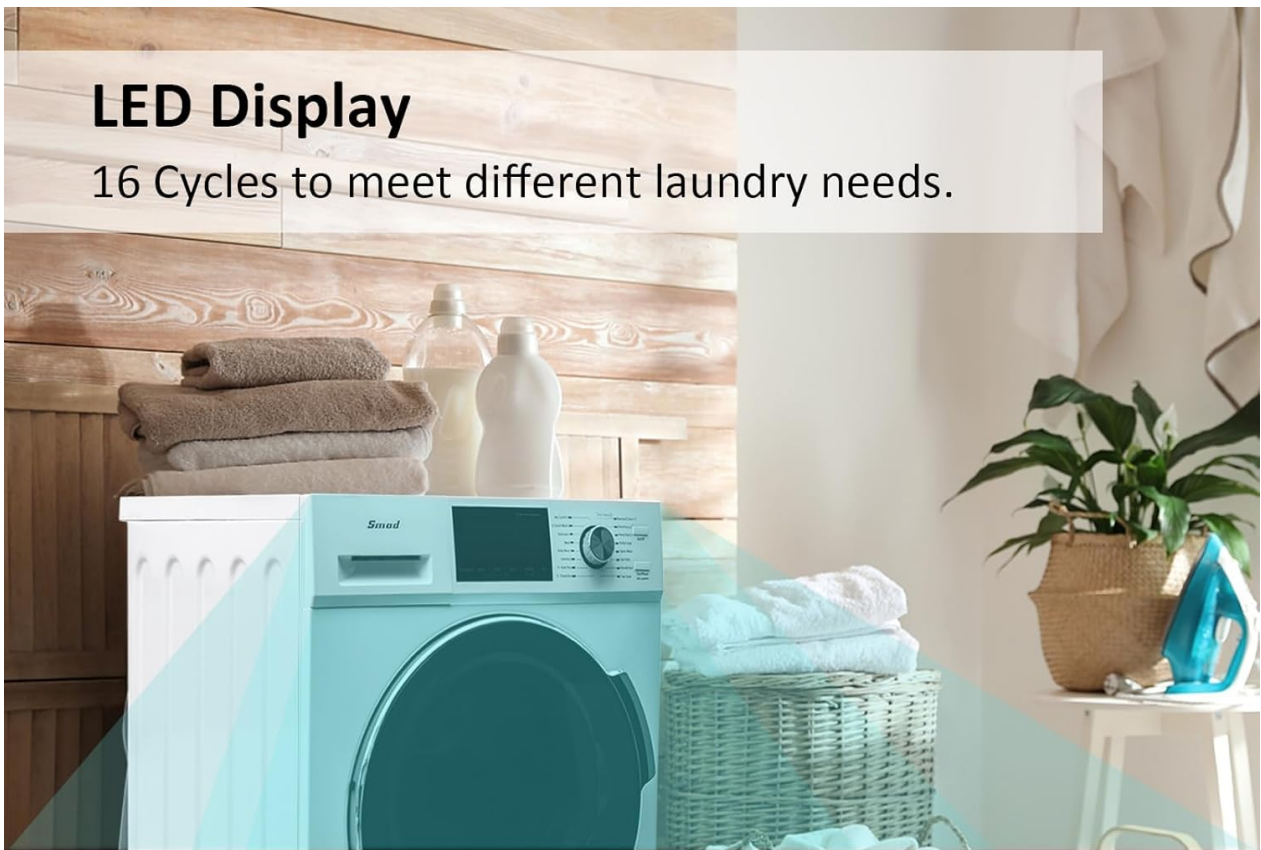
**Image:** A detailed view of the detergent and fabric softener dispenser drawer, indicating where to add laundry additives for optimal washing results.

- Pull out the dispenser drawer located on the top left.
- Add appropriate amounts of detergent to the main wash compartment.
- Add fabric softener to the designated single-compartment dispenser.
- Gently push the dispenser drawer back into place.

### Selecting a Cycle and Options:

# LED Display

16 Cycles to meet different laundry needs.



**Image:** The control panel with an LED display, illustrating the 16 available wash and dry cycles, along with options for temperature, spin speed, and other functions.

- Turn the cycle selector knob to choose one of the 16 available cycles (e.g., Normal/Cotton, Quick Wash, Delicates, Heavy Duty, Baby Wear, Sports Wear, Tub Clean).
- Adjust temperature, spin speed, and other options using the corresponding buttons on the LED display.
- **Delay Start Function:** Press the "Delay" button to set a delayed start time (up to 24 hours). This allows you to run the appliance during off-peak electricity hours or when you are away.
- **Child Lock:** To activate the child lock, simultaneously press and hold the "Delay" and "Temp." buttons for 3 seconds. This prevents accidental changes to settings during operation.

## Starting the Cycle:

- Press the "Start/Pause" button to begin the selected cycle.
- The appliance will automatically proceed through the wash and dry phases without requiring manual transfer of clothes.

## MAINTENANCE

Regular maintenance ensures the longevity and efficient performance of your washer dryer combo.

- **Drum Clean Cycle:** Utilize the dedicated "Tub Clean" cycle periodically to prevent odor and residue buildup in the drum.
- **Exterior Cleaning:** Wipe the exterior surfaces with a soft, damp cloth. Avoid abrasive cleaners.
- **Detergent Dispenser:** Clean the detergent dispenser regularly to remove any accumulated residue.
- **Door Seal:** Inspect and clean the rubber door seal after each use to prevent mold and mildew growth.
- **Lint Filter:** As this is a ventless dryer, ensure to clean the lint filter after every drying cycle to maintain drying efficiency.

## TROUBLESHOOTING

If you encounter issues with your appliance, refer to the following common troubleshooting steps before contacting customer service.

Problem	Possible Cause	Solution
Appliance does not start	Power cord unplugged; door not closed properly; circuit breaker tripped.	Check power connection; ensure door is latched; reset circuit breaker.
Excessive vibration/noise	Transport bolts not removed; appliance not level; uneven load.	Remove transport bolts (refer to Setup); adjust leveling feet; redistribute laundry load.
Water leaks	Hoses loose; detergent dispenser clogged; excessive suds.	Tighten hose connections; clean dispenser; use less detergent.
Clothes not drying properly	Overloaded; lint filter clogged; incorrect cycle selected.	Reduce load size; clean lint filter; select appropriate dry cycle.

## SPECIFICATIONS

- **Brand:** Smad
- **Model Info:** FBM-DWF-120A14LBMU-4
- **Capacity:** 2.7 Cubic Feet
- **Product Dimensions (D x W x H):** 25.2 x 23.4 x 33.5 inches
- **Item Weight:** 172 pounds
- **Annual Energy Consumption:** 90 Kilowatt Hours
- **Number of Washing Cycles:** 16
- **Number of Drying Cycles:** 8
- **Max Spin Speed:** 1400 RPM
- **Access Location:** Front Load
- **Laundry Appliance Drum Material:** Stainless Steel
- **Washer Dispenser Options:** Single-compartment (Fabric Softener)
- **Operation Mode:** Automatic
- **Fuel Type:** Electric
- **Voltage:** 120 Volts
- **Amperage:** 11 Amps
- **Special Features:** Child Lock, Compact, Softener Dispenser, LED Display, High Efficiency, End Of Cycle

Signal, Adjustable Feet, Easy to Install, Front Load, Space Saving, Delay Start, Drum Clean, Time Remaining Display

- **Specification Met:** UL
- **Included Components:** Washer and dryer in one

## OFFICIAL PRODUCT VIDEO

---

Your browser does not support the video tag.

**Video:** An official product video demonstrating the features and benefits of the Smad 2-in-1 Washer and Dryer Combo, including its compact design, various cycles, and efficient operation.

## WARRANTY AND SUPPORT

---

For warranty information and customer support, please refer to the documentation included with your purchase or contact Smad customer service directly. The product is shipped by Qingdao smod Electric Co., Ltd. and includes 30-day easy returns and customer support.

- **Manufacturer:** Smad
- **Seller:** Qingdao smod Electric Co., Ltd.
- **Return Policy:** 30-day easy returns.