

[Manuals.plus](#) /

> [GarveeHome](#) /

> GarveeHome Industrial Dining Table (70.87 in Long, Brown) - Instruction Manual

## GarveeHome dining-tables

# GarveeHome Industrial Dining Table (70.87 in Long, Brown) - Instruction Manual

Model: dining-tables

## 1. INTRODUCTION AND OVERVIEW

---

Thank you for choosing the GarveeHome Industrial Dining Table. This manual provides essential information for the safe assembly, proper use, and maintenance of your new dining table. Designed for both functionality and style, this table offers a spacious surface for dining and gatherings.

This industrial-style dining table features a rustic brown engineered wood tabletop and a sturdy black metal frame, accommodating 6 to 8 people comfortably. Its dimensions are 70.87 inches in length, 35.43 inches in width, and 30 inches in height.



Image 1.1: GarveeHome Industrial Dining Table in a kitchen setting, showcasing its rustic brown tabletop and black metal frame, set for a meal.

## 2. SAFETY INFORMATION

---

Please read and understand all safety instructions before assembly and use. Failure to follow these instructions may result in injury or damage to the product.

- Do not exceed the maximum load capacity of 300 lbs.
- Always secure the adjustable table legs during use to ensure stability.
- Follow the assembly instructions carefully to avoid potential hazards during installation.
- Keep small parts and packaging materials away from children.
- Ensure all screws and fasteners are tightened securely before use. Periodically check and re-tighten as needed.

## 3. PACKAGE CONTENTS

---

Before beginning assembly, verify that all components listed below are present and undamaged. If any parts are missing or damaged, please contact GarveeHome customer support.

- Tabletop sections (Engineered Wood)

- Table legs (Metal)
- Metal support bars
- Adjustable foot pads
- Assembly hardware (screws, bolts, washers)
- Allen Key
- Assembly Guide

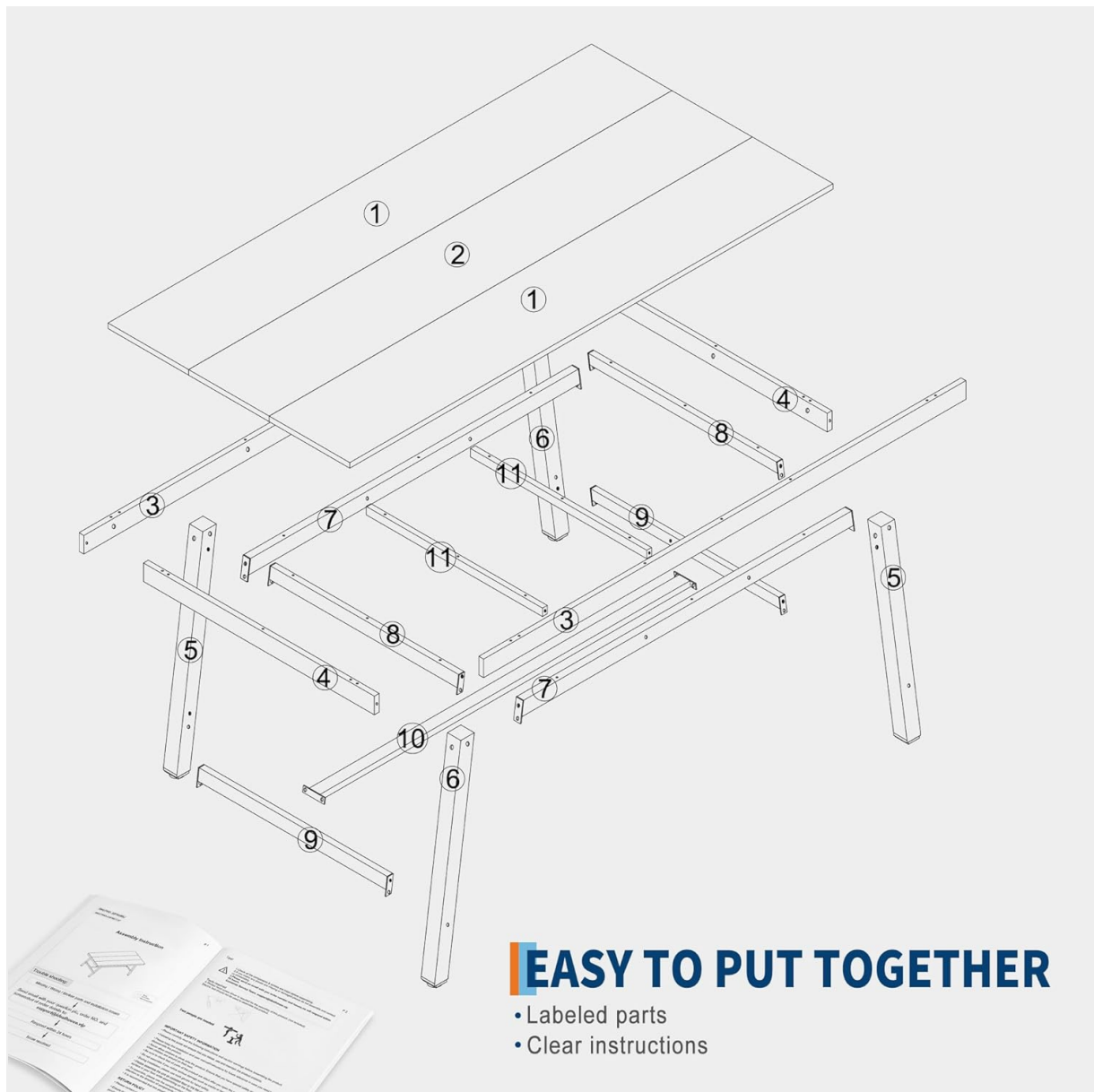
Chairs are not included with this dining table.

## **4. ASSEMBLY INSTRUCTIONS**

---

Assembly of the GarveeHome Industrial Dining Table is designed to be straightforward. It is recommended that two people assemble the table due to its size and weight. All parts are labeled, and detailed instructions are provided in the included Assembly Guide.

1. Unpack all components and lay them out on a clean, soft surface to prevent scratches.
2. Identify each part using the labels and the Assembly Guide.
3. Attach the metal support bars to the tabletop sections as indicated in the guide.
4. Secure the table legs to the assembled tabletop and support structure.
5. Install the adjustable foot pads onto the bottom of each table leg.
6. Ensure all screws and fasteners are fully tightened using the provided Allen Key and a screwdriver (not included).
7. Carefully flip the table upright.



## EASY TO PUT TOGETHER

- Labeled parts
- Clear instructions

Image 4.1: Exploded diagram of the GarveeHome dining table components, showing labeled parts and the sequence for assembly, accompanied by an instruction manual.

**Note:** If you encounter difficulty with screw alignment, slightly loosen adjacent screws to allow for minor adjustments, then re-tighten all screws once aligned.

## 5. USAGE AND CARE

### 5.1 General Use

- The table is designed for indoor use only.
- Ensure the table is placed on a level surface. Use the adjustable foot pads to stabilize the table and prevent wobbling.
- Do not place excessively hot items directly on the tabletop without protective mats.
- Avoid dragging the table across floors; lift it when moving to prevent damage to the table and floor.



Image 5.1: Detailed image of the adjustable height foot on the table leg, demonstrating its 360-degree swivel and leveling capability for stability on uneven surfaces.

## 5.2 Cleaning and Maintenance

- Wipe the tabletop and metal frame with a soft, damp cloth. Avoid abrasive cleaners or harsh chemicals.
- Promptly clean up spills to prevent staining, especially on the engineered wood surface.
- Periodically check all fasteners and re-tighten them to maintain structural integrity.
- While the tabletop is dust-proof and waterproof, prolonged exposure to moisture should be avoided.

## 6. SPECIFICATIONS

Feature	Detail
Brand	GarveeHome
Model Name	dining-tables
Product Dimensions (L x W x H)	70.87" x 35.43" x 30"
Tabletop Thickness	3.1 inches (overall edge profile), 0.71 inches (actual surface)

Color	Rustic Brown (tabletop), Black (frame)
Style	Industrial
Top Material Type	Engineered Wood (MDF)
Frame Material Type	Iron
Maximum Load Capacity	300 lbs (tabletop)
Seating Capacity	6-8 people
Item Weight	87.7 Pounds
UPC	199108562852



Image 6.1: Diagram illustrating the dimensions of the GarveeHome Industrial Dining Table, including length (70.87 inches), width (35.43 inches), and height (30 inches), along with seating capacity for 6 or 8 people.

# SOLID SUPPORT BUILD TO LAST



Robust Steel Legs



Swivel Leveling Feet for  
Perfect Balance



Thicker Walls with  
Wear-Resistant Surfaces

0.04"



Image 6.2: Close-up image detailing the thickness of the GarveeHome dining table's engineered wood tabletop, measuring 0.71 inches with a 2.36-inch edge profile.



Image 6.3: Transparent overlay image showing the internal 35.3-pound sturdy metal frame beneath the tabletop, designed to support up to 350 lbs.

## 7. TROUBLESHOOTING

### 7.1 Table Wobbles

- **Solution:** Adjust the foot pads on the bottom of each leg. Rotate them clockwise or counter-clockwise until the table is stable on uneven surfaces.
- **Solution:** Ensure all assembly screws are securely tightened. Loosen slightly, adjust the table's position, then re-tighten.

### 7.2 Difficulty During Assembly

- **Solution:** Refer to the detailed Assembly Guide provided. Each part and screw is labeled to assist with correct placement.
- **Solution:** If screw holes do not align perfectly, try loosening all screws on the section you are working on. This allows for minor adjustments. Once aligned, tighten all screws firmly.
- **Solution:** Ensure you have adequate space and consider having a second person assist with lifting and holding larger components.

## **8. WARRANTY AND SUPPORT**

---

GarveeHome is committed to providing quality products. While specific warranty details are not provided in this manual, for any product-related inquiries, missing parts, or concerns, please contact GarveeHome customer support through your purchase platform or the official GarveeHome website.

Please retain your proof of purchase for any warranty claims or support requests.