



[Manuals.plus](#) /

> [GarveeHome](#) /

> GarveeHome Industrial Dining Table (Model: dining-tables) User Manual

GarveeHome dining-tables

GarveeHome Industrial Dining Table User Manual

Model: dining-tables

INTRODUCTION

This manual provides detailed instructions for the assembly, operation, and maintenance of your GarveeHome Industrial Dining Table. Please read all instructions carefully before beginning assembly and retain this manual for future reference.

SAFETY INFORMATION

- **Maximum Load Capacity:** Do not exceed the maximum load capacity of 300 lbs on the tabletop.
- **Stability:** Always adjust the table legs to ensure stability and prevent tip-over risks.
- **Assembly:** Assembly requires two people. Follow all steps carefully to ensure proper and safe construction.
- **Tools:** Use recommended tools for assembly.

PRODUCT SPECIFICATIONS

Brand	GarveeHome
Model Name	dining-tables
Product Dimensions (D x W x H)	35.43"D x 70.87"W x 30"H
Item Weight	87.74 Pounds
Maximum Weight Recommendation	300 Pounds
Frame Material	Iron
Top Material	Engineered Wood

Color	Natural
Seating Capacity	6-8 People
Assembly Required	Yes
Tools Recommended	Screw Driver (not included)

Note: Chairs are not included with the dining table.

PARTS LIST

Before assembly, ensure all parts are present and undamaged. Refer to the assembly diagram for visual identification.

- Tabletop sections (3 pieces)
- Metal Legs (2 pieces)
- T-shaped Steel Bar (1 piece)
- Heavy-duty Metal Load Bars (3 pieces)
- Non-slip Foot Pads (4 pieces)
- Assembly Hardware (screws, bolts, etc.)

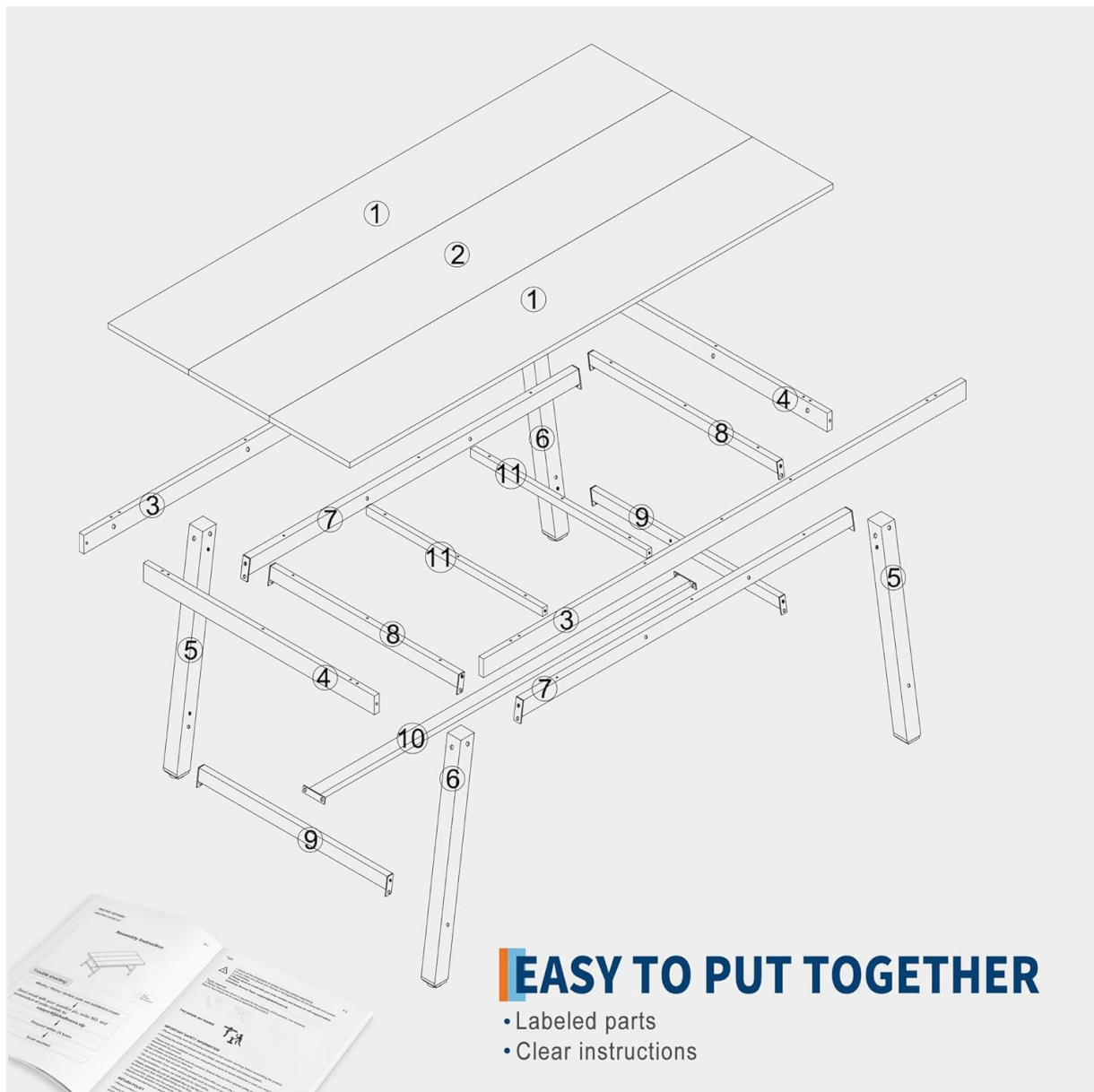


Figure 1: Exploded view of table components, showing labeled parts for assembly.



Figure 2: Detailed assembly diagram with numbered parts and steps.

SETUP AND ASSEMBLY

Two people are recommended for assembly. The estimated assembly time is approximately 40 minutes. All screws and accessories are labeled with corresponding numbers for ease of installation.

1. **Prepare the Workspace:** Clear a spacious area and lay out all components on a soft, clean surface to prevent scratches.
2. **Assemble the Metal Frame:**
 - Attach the T-shaped steel bar to the two metal legs using the provided hardware. Ensure all connections are secure.
 - Insert the three heavy-duty metal load bars into the designated slots on the frame.



Figure 3: The 35.3-pound sturdy metal frame, designed to support the tabletop.

3. **Attach Tabletop Sections:** Carefully align and attach the three tabletop sections to the assembled metal frame using the provided screws. Ensure the sections are flush and securely fastened.
4. **Install Non-slip Foot Pads:** Screw the non-slip foot pads onto the bottom of each table leg. These pads protect your floor and allow for minor height adjustments.
5. **Adjust Table Level:** Once assembled, adjust the non-slip foot pads as needed to ensure the table is stable and level on uneven surfaces.



Figure 4: Adjustable foot pads allow for leveling the table on uneven ground.

For a visual guide to the assembly process, please watch the official GarveeHome product video:

[Your browser does not support the video tag.](#)

Video 1: Official GarveeHome product video demonstrating the assembly and features of the Industrial Dining Table.

OPERATING AND USAGE

Your GarveeHome Industrial Dining Table is designed for versatile use in your kitchen or dining room. It comfortably accommodates 6 to 8 people, making it suitable for family meals and gatherings.

- **Seating:** The table is designed to seat 6-8 individuals. Ensure chairs are placed evenly around the table for optimal comfort and balance.
- **Surface Protection:** While the MDF wood surface is dust-proof and waterproof, using placemats, coasters, or a tablecloth is recommended to further protect against spills, heat, and scratches.
- **Ergonomics:** The table's 30-inch height provides ample legroom for most users.



Figure 5: Table dimensions and suggested seating arrangements for 6 to 8 people.



Figure 6: The dining table in a kitchen environment, showcasing its natural wood finish.

MAINTENANCE

- **Cleaning:** Wipe the tabletop with a soft, damp cloth. Avoid abrasive cleaners or harsh chemicals that could damage the finish.
- **Spills:** Clean up spills immediately to prevent staining, especially on the engineered wood surface.
- **Inspection:** Periodically check all screws and connections to ensure they remain tight. Retighten if necessary to maintain stability.
- **Movement:** When moving the table, lift it rather than dragging to prevent damage to the legs and floor.

TROUBLESHOOTING

Problem	Possible Cause	Solution
Table is wobbly or uneven.	Uneven floor surface or loose foot pads.	Adjust the non-slip foot pads on the bottom of the legs until the table is stable. Ensure all assembly screws are tightened.

Gaps between tabletop sections.	Tabletop sections not fully aligned during assembly.	Loosen the screws connecting the tabletop sections, realign them carefully, and then retighten. Ensure the metal load bars are correctly positioned.
Scratches or damage to the tabletop.	Impact from objects or abrasive cleaning.	Use placemats or a tablecloth for protection. For minor scratches, consider wood repair kits suitable for engineered wood.

WARRANTY AND SUPPORT

For warranty information or customer support, please refer to the documentation included with your purchase or visit the official GarveeHome website. Keep your purchase receipt for warranty claims.

Return Policy: This product is eligible for a 30-day return/replacement policy.

Contact: For further assistance, please contact GarveeHome customer service.