



[Manuals.plus](#) /

> [GLACER](#) /

> GLACER 2-in-1 Play Kitchen (Model 10050GR-TP) Instruction Manual

GLACER 10050GR-TP

GLACER 2-in-1 Play Kitchen Instruction Manual

Model: 10050GR-TP

INTRODUCTION

Thank you for choosing the GLACER 2-in-1 Play Kitchen. This innovative playset is designed to provide children aged 3 and above with a dynamic role-playing experience, featuring both a fully equipped kitchen area and a charming 2-seat cafe setup. This manual provides essential information for assembly, operation, maintenance, and safety to ensure a safe and enjoyable experience for your child.



Image: The GLACER 2-in-1 Play Kitchen in its two configurations: a front-facing cooking kitchen and a back-facing cafe with seating.

IMPORTANT SAFETY INFORMATION

Please read and understand all safety warnings and instructions before assembly and use. Keep this manual for future reference.

- **Adult Supervision Required:** Children should always use this product under direct adult supervision.
- **Age Recommendation:** This play kitchen is suitable for children aged 3 years and older. Small parts may pose a choking hazard for younger children.
- **Assembly:** Adult assembly is required. Ensure all parts are securely fastened before allowing children to play.
- **Stability:** Place the play kitchen on a flat, stable surface to prevent tipping.
- **Inspection:** Regularly inspect the product for loose parts, damaged components, or sharp edges. Discontinue use if any damage is found.
- **Cleaning:** Clean with a damp cloth. Do not use abrasive cleaners.
- **Certifications:** This product is ASTM and CPSIA certified, ensuring it meets safety standards.

INCLUDED COMPONENTS

Before assembly, please verify that all parts listed below are present. If any parts are missing or damaged, please contact customer support.

- Kids Kitchen Playset (main structure)
- Instruction Manual (this document)
- Spice Bottles (2)
- Bowls (2)
- Plates (2)
- Stainless Steel Spoon (1)
- Spatula (1)
- Pan (1)
- Pot with Lid (1)
- Foldable Awning Cloth (1)
- Assembly Hardware (screws, dowels, etc. - not explicitly listed but implied for assembly)



Image: A collection of the included play accessories, such as spice bottles, bowls, plates, a spoon, spatula, pan, and a pot with a lid.

ASSEMBLY INSTRUCTIONS

Adult assembly is required. Please follow these general steps. Refer to the separate detailed assembly diagram and hardware pack included with your product for specific part identification and screw types.

1. **Unpack Components:** Carefully remove all parts from the packaging and lay them out on a clean, soft surface to prevent scratches. Verify all parts against the included parts list.
2. **Assemble Base Structure:** Begin by connecting the main base panels using the provided hardware. Ensure all connections are secure.
3. **Install Side Panels:** Attach the side panels to the base, forming the primary structure of the kitchen.
4. **Mount Countertop and Back Panel:** Secure the main countertop and the back panel, which includes the sink and stove cutouts.
5. **Attach Upper Cabinetry:** Install the microwave unit and any upper shelving or storage compartments.
6. **Install Doors and Handles:** Attach the oven and lower cabinet doors, ensuring they open and close smoothly. Install all handles.
7. **Add Accessories:** Secure the faucet, stove knobs, and any other fixed accessories. Attach the foldable awning cloth to the cafe side.
8. **Final Check:** Once assembled, double-check all screws and connections to ensure they are tight and secure.



Image: The GLACER 2-in-1 Play Kitchen fully assembled in its cooking configuration, ready for play.

OPERATING INSTRUCTIONS

The GLACER 2-in-1 Play Kitchen offers two primary modes of play:

1. Cooking Mode (Front Side)

- **Sink and Faucet:** The faucet is rotatable, allowing children to pretend to wash dishes or vegetables. The sink basin can be used for imaginative water play (without actual water).
- **Stove Burners:** The stove knobs produce a realistic "click" sound when turned, simulating the ignition of a stove. Place the included pots and pans on the burners for pretend cooking.
- **Microwave:** The microwave door opens and closes. Children can place play food inside for pretend heating.
- **Oven:** The oven door opens and closes, providing space for baking imaginary treats.
- **Storage:** Utilize the wide storage counter, towel racks, and roomy storage cabinet to organize play food and accessories.

Realistic Cooking Experience

Allow Kids to Enjoy the Fun of Role Play



Image: Detailed view of the kitchen features, including the rotatable faucet, clicking stove knob, and a pan with pretend food.



Convenient Handle

Simulated Microwave



Simulated Oven

Image: Close-up of the simulated microwave and oven, highlighting the functional doors and wooden handles.



Image: Various storage and functional elements of the kitchen, including the awning, counter space, towel rack, and cabinet.

2. Cafe Mode (Back Side)

- **Seating Area:** The back side transforms into a cafe with two seats, allowing children to engage in social play as customers or servers.
- **Serving Counter:** A dedicated counter space is available for serving imaginary food and drinks.
- **Awning:** The foldable awning cloth adds to the cafe ambiance.



Image: Children interacting with the cafe side of the play kitchen, demonstrating its dual functionality.

MAINTENANCE AND CARE

- **Cleaning:** Wipe down all surfaces with a soft, damp cloth. For stubborn spots, a mild soap solution can be used, followed by wiping with a clean, damp cloth. Avoid harsh chemicals or abrasive cleaners.
- **Drying:** Ensure all parts are thoroughly dry after cleaning to prevent moisture damage to the engineered wood.
- **Regular Inspection:** Periodically check all screws and connections to ensure they remain tight. Tighten any loose hardware as needed.
- **Storage:** Store the play kitchen in a dry environment, away from direct sunlight or extreme temperatures, to preserve its material integrity.

TROUBLESHOOTING

Problem	Possible Cause	Solution
---------	----------------	----------

Problem	Possible Cause	Solution
Play kitchen feels wobbly or unstable.	Loose assembly screws or uneven surface.	Ensure all assembly screws are tightened. Place the kitchen on a flat, level surface.
Doors (oven/cabinet) do not close properly.	Hinges are loose or misaligned.	Check and tighten hinge screws. Adjust hinge alignment if necessary.
Stove knobs do not "click".	Mechanism may be obstructed or damaged.	Ensure no debris is blocking the knob mechanism. If damaged, contact customer support.
Missing parts after unpacking.	Packaging error.	Refer to the "Included Components" section and contact customer support with details of the missing part(s).

PRODUCT SPECIFICATIONS

Model Number: 10050GR-TP

Brand: GLACER

Material Type: Engineered Wood

Color: Grey

Item Dimensions (D x W x H): 20.5" x 27.5" x 35.5" (52.07 cm x 69.85 cm x 90.17 cm)

Item Weight: 37 Pounds (16.78 kg)

Recommended Age: 36 Months and up (3+ years)

Certifications: ASTM, CPSIA

Included Components: 1 x Kids Kitchen Playset, 1 x Instruction Manual, various accessories (spice bottles, bowls, plates, spoon, spatula, pan, pot with lid, foldable awning cloth)

Product Dimension



Suitable Ages:
3-7 Years Old



ASTM
Certification



CPSIA
Certification

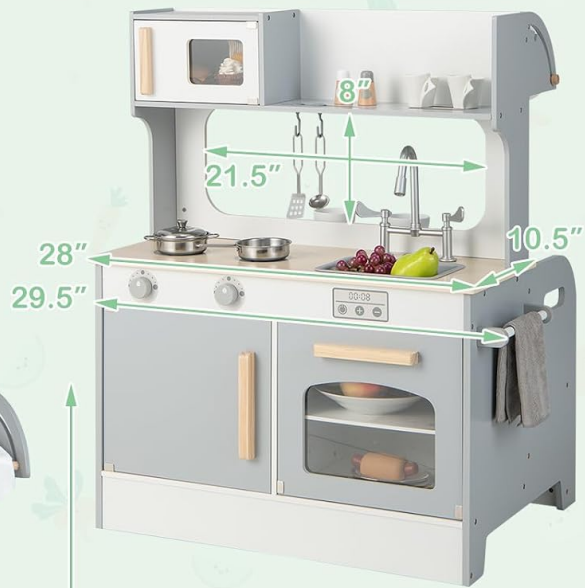
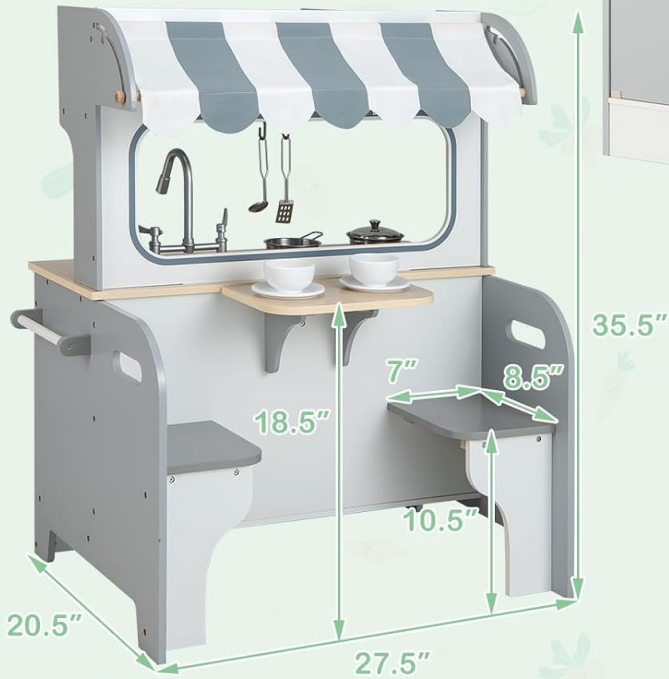


Image: A diagram illustrating the key dimensions of the play kitchen in both its cooking and cafe setups, along with safety certifications.

WARRANTY AND CUSTOMER SUPPORT

For warranty information, missing parts, or any questions regarding your GLACER 2-in-1 Play Kitchen, please contact the retailer or manufacturer directly. Please have your model number (10050GR-TP) and purchase date available when contacting support.

Manufacturer: Gotoplay