



Manuals.plus /

› TOPSKY /

› TOPSKY Electric Adjustable Ceiling TV Mount User Manual

TOPSKY TV01.01

TOPSKY Electric Adjustable Ceiling TV Mount

MODEL: TV01.01 USER MANUAL

[Overview](#)

[Safety](#)

[Setup](#)

[Operation](#)

[Maintenance
& Support](#)

[Troubleshooting](#)

[Specifications](#)

[Warranty](#)

1. Product Overview

The TOPSKY Electric Adjustable Ceiling TV Mount (Model TV01.01) provides a convenient and space-saving solution for mounting your television. Designed for both flat and pitched ceilings, this motorized mount allows you to effortlessly adjust your TV's position and viewing angle with a remote control. It supports flat and curved screen TVs ranging from 32 to 70 inches.

Key features include:

- **Electric Adjustment:** Smoothly raise or lower your TV with the included remote control.
- **Optimal Viewing Angle:** Offers a 0-80° tilt range and $\pm 2^\circ$ screen leveling for comfortable viewing.
- **Space-Saving Design:** Folds away when not in use, freeing up valuable floor and wall space.
- **Wide Compatibility:** Supports VESA patterns from 200x100mm to 600x400mm.



The TOPSKY Electric Adjustable Ceiling TV Mount, shown with its remote control.

Faster, Stronger, Larger Adjustable Range

Ours



Others



	Ours	Others
Tilt Range	0-80°	0-75°
Fully Expansion Time	32 s	55 s
Adjust Speed	2.5°/s	1.3°/s
Weight Capacity	88 lbs	77 lbs

This chart highlights the superior performance of the TOPSKY mount, including a wider tilt range (0-80°), faster expansion time (32s), quicker adjust speed (2.5°/s), and higher weight capacity (88 lbs) compared to other models.

2. Important Safety Information

Please read all instructions carefully before installation and use. Failure to follow these instructions may result in property damage, injury, or death.

- **Two-Person Installation:** Due to the weight of this ceiling TV mount, **two people are required for safe and optimal installation.** One person should hold the mount in place while the other secures it.
- **Ceiling Structure:** Before purchasing and installing, carefully check your ceiling structure to ensure it can safely support the combined weight of the mount and your television. Incorrect ceiling support may lead to installation failure and potential hazards.
- **Weight Capacity:** Do not exceed the maximum weight capacity of 88 lbs (40 kg).
- **VESA Compatibility:** Ensure your TV's VESA mounting pattern is within the supported range (200x100mm to 600x400mm).

- **Remote Control Batteries:** The factory remote control does not come with batteries. Please purchase 2 x AAA batteries separately.
- **Cable Management:** Ensure all cables are routed safely to prevent pinching or damage during operation.

3. Package Contents

Please verify that all components are present before beginning installation. If any parts are missing or damaged, contact TOPSKY customer support.

- Motorized Ceiling TV Mount Assembly
- Remote Control (batteries not included)
- Power Adapter and Receiver Cable
- Mounting Hardware Kit (screws, anchors, washers, spacers for various TV sizes and ceiling types)
- Instruction Manual (this document)

4. Setup and Installation

Follow these steps carefully for proper installation. Remember, two people are required for safe setup.

4.1 Pre-Installation Checks

- **Ceiling Type:** This mount is compatible with both wood and concrete ceilings. Ensure you use the appropriate hardware for your ceiling type.
- **TV VESA Pattern:** Verify your TV's VESA mounting holes match the supported patterns (200x100mm to 600x400mm).
- **TV Size Considerations:** For 55", 65", or 70" TVs, ensure the VESA holes are centered for proper clearance between the screen and ceiling when folded. If the VESA holes are positioned lower on the TV, additional planks or spacers may be needed to adjust the distance and prevent interference.

COMPATIBLE WITH MOST TV MODELS



WEIGHT CAPACITY

88 LBS

VESA Patterns

600x400mm 400x400mm 400x300mm
400x200mm 300x300mm 300x200mm
200x400mm 200x200mm 200x100mm

The mount supports a weight capacity of 88 lbs and is compatible with various VESA patterns, including 600x400mm, 400x400mm, 400x300mm, 400x200mm, 300x300mm, 300x200mm, 200x400mm, 200x200mm, and 200x100mm.



The TOPSKY ceiling TV mount is designed to work seamlessly with both flat and pitched ceiling structures, offering versatile installation options.

4.2 Mounting the Bracket to the Ceiling

1. Locate the desired mounting position on your ceiling. Ensure it is structurally sound and can support the weight.
2. Using the mount's base as a template, mark the drilling points on the ceiling.
3. Drill pilot holes at the marked locations. For concrete ceilings, use a hammer drill and concrete anchors. For wood ceilings, drill into studs.
4. With the help of a second person, lift the mount to the ceiling and align the holes. Secure the mount using

the appropriate screws and washers provided.



ASSEMBLY REQUIRES TWO PEOPLE

+ Achieve the Best Setup with Two-Person Help

Assembly of the ceiling TV mount requires two people for safe and efficient setup.

4.3 Attaching the TV to the Mount

1. Attach the TV brackets to the back of your television using the appropriate VESA screws and spacers. Ensure they are securely fastened.
2. Carefully lift the TV and hook the TV brackets onto the mount's arms.
3. Secure the TV to the mount using the locking mechanisms or safety screws as indicated in the detailed manual (refer to the PDF manual for specific steps).

4.4 Connecting Power and Remote Pairing

1. Connect the power adapter to the mount and plug it into a power outlet.
2. Insert 2 x AAA batteries into the remote control.
3. **Code Pairing:** Before first use, you must pair the remote control with the receiver. Refer to the detailed code pairing guide on the last page of the instruction manual (PDF) for specific steps. Typically, this involves pressing and holding a button on the receiver and then a button on the remote until they synchronize.

5. Operating Instructions

Once installed and paired, operating your TOPSKY Electric Adjustable Ceiling TV Mount is simple using the remote control.

5.1 Remote Control Functions

- **Up/Down Buttons:** Use these buttons to raise or lower the TV mount. The powerful motor allows for smooth vertical adjustment.
- **Stop Button:** Press this button to stop the mount at any desired position.
- **Tilt Adjustment:** The mount offers a 0-80° tilt range. Use the remote to adjust the tilt angle for optimal viewing.
- **Screen Leveling:** The mount supports $\pm 2^\circ$ screen leveling to ensure your TV is perfectly horizontal.

ADJUSTABLE CEILING MOUNT FOR YOUR BEST VIEW



For 55", 65", or 70" TVs:

Ensure VESA holes are centered for proper clearance.
If not, extra planks may be needed.

The ceiling-mounted electric TV bracket offers a 0-80° tilt range, allowing you to adjust the TV for the perfect viewing angle.



Motion Range
5"-30"

Space-Saving
5" (When Folded)

80°
TILT



FULLY OPENS IN 32 SECONDS

Set Up in 32 Seconds, Tucks Away to Save Space

The mount fully opens in 32 seconds, providing a motion range of 5 to 30 inches from the ceiling and an 80-degree tilt capability.

6. Maintenance

To ensure the longevity and optimal performance of your TOPSKY Electric Adjustable Ceiling TV Mount, follow these simple maintenance guidelines:

- **Cleaning:** Use a soft, dry cloth to wipe down the mount. Avoid abrasive cleaners or solvents that could

damage the finish.

- **Inspection:** Periodically check all screws and connections to ensure they remain tight and secure.
- **Motor Care:** The motor is designed for durability. Avoid obstructing the mount's movement or forcing it manually, as this can damage the motor.

7. Troubleshooting

If you encounter any issues with your TOPSKY Electric Adjustable Ceiling TV Mount, refer to the following common problems and solutions:

Problem	Possible Cause	Solution
Mount does not respond to remote control.	Remote batteries are dead or incorrectly inserted. Remote is not paired with the receiver. Power cable is disconnected.	Replace remote batteries. Perform code pairing as per the manual's instructions. Check power connections.
Mount moves slowly or with difficulty.	Exceeding weight capacity. Obstruction in the movement path. Low voltage.	Ensure TV weight is within 88 lbs (40 kg). Check for any objects blocking the mount's path. Verify power supply is stable.
TV is not level.	Screen leveling adjustment needed.	Use the screen leveling feature ($\pm 2^\circ$) to adjust the TV's horizontal position.

If the issue persists after trying these solutions, please contact TOPSKY customer support.

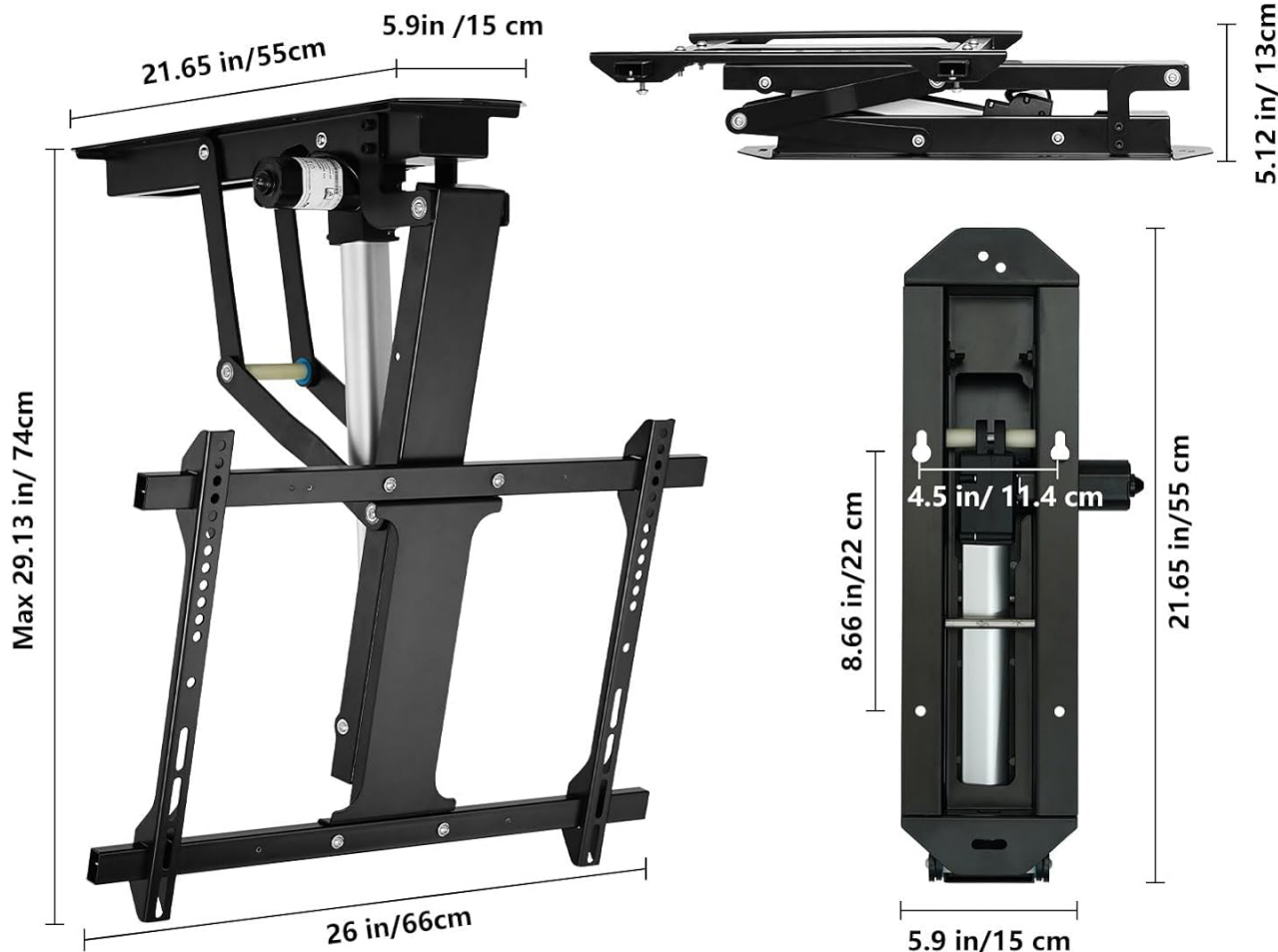
8. Product Specifications

Feature	Detail
Brand	TOPSKY
Model Number	TV01.01
Mounting Type	Ceiling Mount
Movement Type	Tilt (Motorized)
Compatible TV Sizes	32" to 70" Flat and Curved Screens
VESA Compatibility	200x100mm to 600x400mm
Maximum Weight Capacity	88 lbs (40 kg)
Maximum Tilt Angle	80 Degrees
Screen Leveling	±2°
Material	Iron
Color	Black
Item Weight	23.9 pounds
Package Dimensions	28 x 10 x 8 inches
First Available Date	July 21, 2023

Product Dimensions



Total Cable Length: 94.5in/240cm
(with 15.75in/40cm Receiver Cable)



Detailed dimensions of the mount, including maximum extension (29.13 in / 74 cm), width (26 in / 66 cm), and folded height (5.12 in / 13 cm).

9. Warranty and Support

9.1 Warranty Information

The TOPSKY TV01.01 Electric Adjustable Ceiling TV Mount comes with a **3-year after-sales service**. This warranty covers defects in materials and workmanship under normal use. Please retain your proof of purchase for warranty claims.

9.2 Customer Support

For technical assistance, troubleshooting, or warranty inquiries, please contact TOPSKY customer support:

- **Email Support:** Available 24/7.
- **Phone Call Hours:** Monday - Friday, 9:00 AM - 4:00 PM PST.

You can find detailed contact information on the official TOPSKY Amazon Shop Page or their official website. For a downloadable PDF version of this manual, please refer to the official product page or the link provided during purchase.