

Manuals.plus /

› **deckit** /

› Deckit Adjustable Deck Support Bases User Manual

## deckit B0F2S9B3B3

# User Manual: Adjustable Deck Support Bases

Brand: **deckit** | Model: **B0F2S9B3B3**

## 1. PRODUCT OVERVIEW

---

The Deckit 6-piece adjustable terrace support base is engineered for robust and reliable outdoor platform construction. Crafted from UV-resistant polypropylene, these bases are designed to be rust-proof and waterproof, ensuring long-term durability in various weather conditions. Each support can bear over 1000 pounds, making them suitable for a wide range of applications including suspended terraces, tiled floors, and outdoor platforms.

The innovative design allows for a height adjustment range of 1.38" to 2.56", providing flexibility to adapt to uneven terrain and achieve a perfectly level surface. Installation is tool-free, and the bases support extended interconnection for larger projects. The kit includes essential accessories like waterproof tape and screws, and the design promotes excellent ventilation and drainage, which helps reduce maintenance costs and extends the lifespan of your deck.

## 2. COMPONENTS AND WHAT'S INCLUDED

---

Your Deckit Adjustable Deck Support Bases kit includes the following components:

- Adjustable Deck Support Bases (6 pieces)
- Waterproof Beam Tape (1 roll, 2x15ft)
- Self-Tapping Screws (12 pieces)
- Screwdriver (1 piece)



Image: All components included in the Deckit 6-Pack Adjustable Deck Support Bases kit, showing the bases, waterproof tape, screws, and screwdriver bit.

### 3. SPECIFICATIONS

<b>Product Dimensions</b>	6 x 6 x 1.18 inches; 2.45 Pounds
<b>Height Adjustment Range</b>	1.38" - 2.56"
<b>Load Capacity (Each Base)</b>	Over 1000 lbs (approx. 450 kg)
<b>Material</b>	UV-resistant Polypropylene
<b>Compatibility</b>	Wood, composite, and aluminum substructures; suitable for 2x4 or 2x6 joist specifications.

# PRODUCT DIMENSIONS

HEIGHT ADJUSTABLE

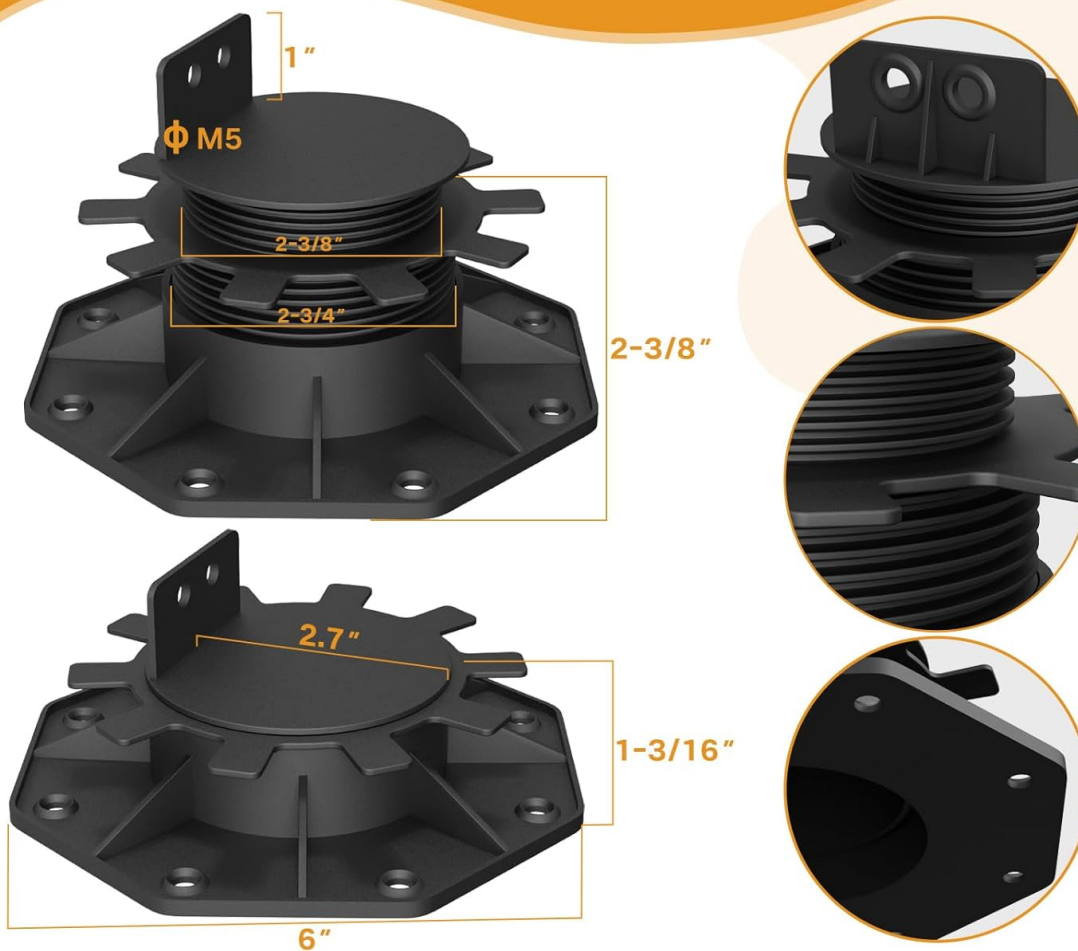


Image: Detailed product dimensions, illustrating the adjustable height range from minimum to maximum.

## Strong & Height Adjustable Deck Support Base

Each support base can hold a weight of 500 kg in the lowest position and 380 kg in the maximum height adjustment



**MAX. HEIGHT**  
**2.36in**  
**380KG**



**MIN. HEIGHT**  
**1.18in**  
**500kg**



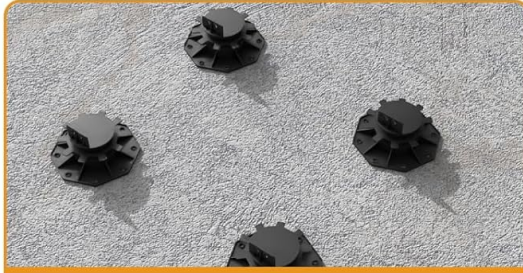
Image: Visual representation of the strong load capacity (up to 500kg or 1100 lbs) and the minimum and maximum height settings of the deck support bases.

### 4. SETUP AND INSTALLATION

The Deckit Adjustable Deck Support Bases are designed for tool-free, easy installation. Follow these steps for optimal setup:

- 1. Placement:** Place the deck supports on your prepared surface with the recommended spacing. For this deck support bracket, the recommended installation spacing is 16–18 inches.
- 2. Joist Insertion:** Slide your wooden beams (joists) into the slots on top of the deck support bases. These bases are suitable for joist specifications of 2x4 or 2x6. For easier installation, please use straight wooden beams.
- 3. Height Adjustment:** Rotate the top part of the support base to adjust the height. Use a spirit level to ensure the joist is perfectly level. The dual-leveling seats allow for precise adjustments to compensate for uneven ground.
- 4. Secure Joists:** Once the desired height and level are achieved, tighten the fastener on the support to fix it in place. Then, use the provided self-tapping screws and screwdriver to secure the joists to the deck supports.

# Easy To Install



*Place the deck supports with the required spacing.*



*Slide the joists into the deck support slots.*



*Rotate it to adjust the height.*



*Use a spirit level to check if the joist is level.*

*Tighten the fastener to fix it after adjusting the height.*

*Secure the joists to the deck supports.*



Image: A four-panel visual guide demonstrating the simple installation process: placing supports, inserting joists, adjusting height with a level, and securing joists.

# Super Protection Ability

(Made of polypropylene)



Image: Illustration of the "Super Protection Ability" of the polypropylene bases, highlighting the screw ring for height adjustment and drainage, and resistance to weight and cold.

## Installation Video Guide

Your browser does not support the video tag.

Video: An official guide from Deckit US demonstrating the installation process and features of the Adjustable Deck Support Bases.

## 5. OPERATING INSTRUCTIONS

The primary operation of the Deckit Adjustable Deck Support Bases involves their height adjustment mechanism. Once installed, the bases allow for fine-tuning of the deck's level even after initial placement.

- **Adjusting Height:** To adjust the height, simply rotate the top plate of the support base. Turning it clockwise will lower the joist, and counter-clockwise will raise it. This allows for precise leveling of your deck surface.
- **Post-Installation Leveling:** The design enables continuous leveling adjustments, which is particularly useful if the ground settles over time. Always use a spirit level to verify the deck's evenness during and after adjustments.

## 6. MAINTENANCE

The Deckit Adjustable Deck Support Bases are designed for minimal maintenance due to their durable construction materials.

- **Material Durability:** Made from UV-resistant polypropylene, these bases are inherently rust-proof and resistant to fading. This eliminates the need for painting, sealing, or rust treatment.
- **Ventilation and Drainage:** The design of the bases promotes air circulation beneath the deck and allows for efficient water drainage. This prevents moisture buildup, which is a common cause of rot and decay in traditional deck structures, thereby extending the lifespan of your wooden beams and reducing overall maintenance.
- **Periodic Inspection:** While low-maintenance, it is recommended to periodically inspect the bases and joists for any signs of wear, damage, or significant ground settlement. Re-leveling can be done as needed by adjusting the bases.

## 7. TROUBLESHOOTING

---

While Deckit Adjustable Deck Support Bases are designed for reliability, here are some common issues and their solutions:

Problem	Possible Cause	Solution
Deck surface is uneven.	Incorrect initial height adjustment or ground settlement.	Re-adjust the height of individual bases by rotating the top plate until the joist is level. Use a spirit level for accuracy.
Bases feel unstable.	Improper placement on soft or loose ground; joists not securely fastened.	Ensure bases are placed on a firm, compacted surface. Verify that joists are properly seated and securely screwed into the base's top plate.
Water pooling under deck.	Insufficient slope for drainage or blocked drainage paths.	Ensure the ground beneath the deck has a slight slope away from any structures. Check that the bases' design allows for clear water flow and that no debris is obstructing drainage.

## 8. WARRANTY AND SUPPORT

---

Deckit stands by the quality of its Adjustable Deck Support Bases. Your purchase is backed by comprehensive after-sales service.

- **Customer Service:** For any questions, concerns, or assistance with installation or product performance, please contact Deckit customer service. Refer to the product packaging or the retailer's website for contact information.
- **Professional-Grade Performance:** This kit is designed to deliver professional-grade performance for various outdoor upgrades, including gardens, patios, and commercial decks.

## 9. APPLICABLE SCENARIOS

---

The versatility of Deckit Adjustable Deck Support Bases makes them suitable for a variety of applications beyond traditional decking:

- **Floor Building:** Ideal for creating level and stable subfloors for outdoor sheds, garden rooms, or raised platforms.
- **Moisture-Proof Isolation:** Can be used to elevate items or structures off the ground, providing

moisture-proof isolation, such as for outdoor storage boxes or even bathroom floors in certain modular constructions.

- **Heavy Support:** Their high load capacity makes them suitable for supporting heavy outdoor furniture or other structures requiring robust foundational support.

## *Applicable scenarios*



Image: A collage showing different applicable scenarios for the deck supports, including floor building, moisture-proof isolation, and heavy furniture support.

***Bid farewell to the traditional raising process Reject bulky and time-consuming processing Pick the right elevator to make it easy  
DIGKIT deck support***



***Construction Work with Pedestals***

The construction and installation is simple, the construction period is short and time saving  
Low cost of construction  
Lightweight material, high load bearing



***Traditional Construction Works***

Traditional raising process  
The construction time is long,  
High cost of construction  
Heavy material  
Not easy to repair later  
Inflexible fixation

Image: A comparison highlighting the benefits of using Deckit pedestals for construction, emphasizing ease of installation, shorter construction time, and lower cost compared to traditional methods.