

VEVOR XF8W201

VEVOR XF8W201 Shop Stool with Backrest User Manual

Model: XF8W201 | Brand: VEVOR

1. IMPORTANT SAFETY INFORMATION

Please read and understand all safety instructions before assembling, operating, or maintaining this product. Failure to follow these instructions may result in serious injury or property damage.

- **Stable Surface:** Always ensure the stool is placed on a stable, level surface. Do not use the stool on uneven or slippery surfaces to prevent tipping and potential injury.
- **Weight Capacity:** Do not exceed the maximum weight capacity of 300 lbs (136.08 kg). Overloading can cause damage to the stool and lead to injury.
- **Assembly:** Assemble the stool completely and correctly before use. Ensure all screws and fasteners are securely tightened. Periodically check for loose components.
- **Movement:** Do not stand on the stool or use it as a ladder. Use caution when moving the stool, especially when seated.
- **Children and Pets:** Keep children and pets away from the stool during assembly and use.
- **Maintenance:** Regularly inspect the stool for any signs of wear, damage, or loose parts. Do not use a damaged stool.

2. PRODUCT OVERVIEW

The VEVOR XF8W201 Shop Stool with Backrest is designed for comfort and utility in various work environments such as garages, workshops, and auto repair shops. It features adjustable height, a 360° swivel seat, and a supportive backrest.





Figure 2.1: VEVOR XF8W201 Shop Stool with Backrest, front view.



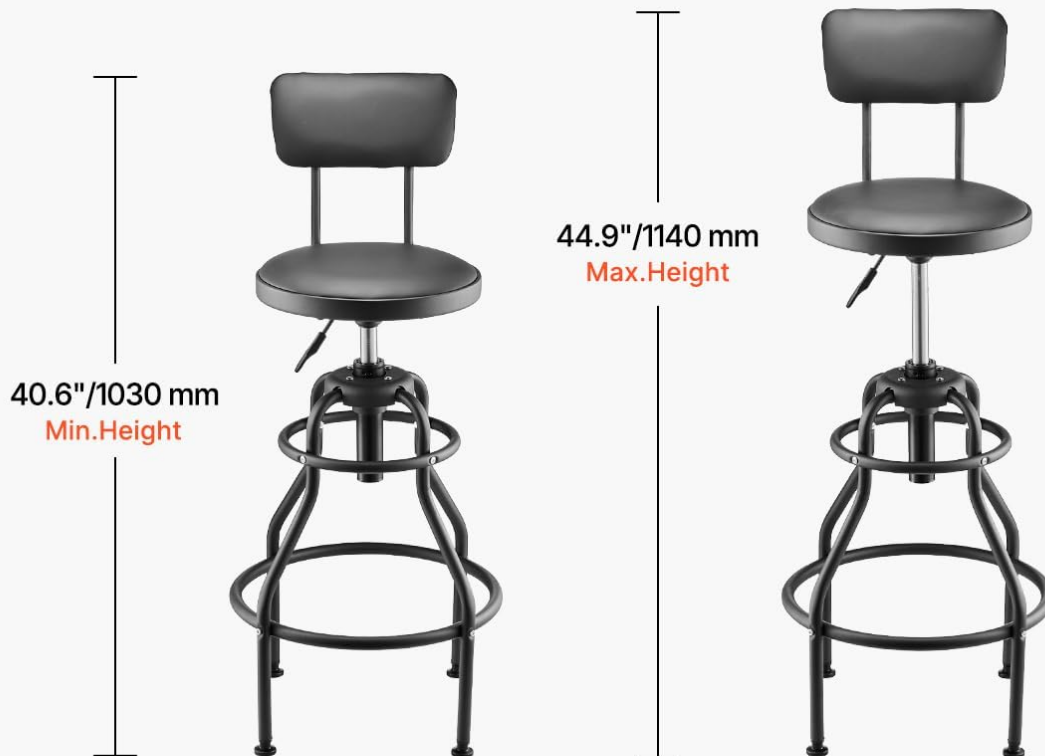
Figure 2.2: User seated on the VEVOR Shop Stool in a garage setting.

Key Features:

- **Adjustable Height:** Pneumatic cylinder allows height adjustment from 40.6 to 44.9 inches (1030-1140 mm) (seat height from ground).
- **High Weight Capacity:** Supports up to 300 lbs (136.08 kg) with a heavy-duty carbon steel frame.
- **Comfortable Backrest:** Provides lumbar support to reduce fatigue during extended use.
- **360° Swivel Seat:** Thick pearl cotton cushion rotates for convenience and flexibility.
- **Waterproof Cushion:** Surface made of waterproof and oil-resistant PU synthetic leather for easy cleaning.
- **Stable Base:** Four-corner base with non-slip foot pads ensures stability.

3. PACKAGE CONTENTS

Before assembly, ensure all parts listed below are present and undamaged. If any parts are missing or damaged, contact VEVOR customer support.



Item Model Number: **XF8W201**

Net Weight: **15.0 lbs/6.8 kg** (Include all accessories)

Product Dimensions:

18.9 × 18.9 × 40.6 - 44.9 in / 480 × 480 × 1030 - 1140 mm

Accessories:

**1 x User Manual, 4 x Foot Pads, 4 x Screws 6mm×40mm
4 x Screws 6mm×35mm, 4 x M6 Hex Socket Screws, 12 x M6 Nuts
1 x Open-End Wrench 8-10mm, 1 x M5 Wrench**

Figure 3.1: Product dimensions and included accessories.

- 1x User Manual
- 4x Foot Pads
- 4x Screws 6mm x 40mm
- 4x Screws 6mm x 35mm
- 4x M6 Hex Socket Screws
- 12x M6 Nuts
- 1x Open-End Wrench 8-10mm
- 1x M5 Wrench
- Stool Frame Components (legs, rings, seat support, backrest support)
- Seat Cushion

- Backrest Cushion
- Pneumatic Cylinder

4. ASSEMBLY INSTRUCTIONS

Follow these steps carefully to assemble your VEVOR Shop Stool. It is recommended to have a clear, flat workspace.

1. **Attach Foot Pads:** Insert the 4 foot pads onto the bottom ends of the stool legs. Ensure they are firmly seated.
2. **Assemble Base Frame:** Connect the stool legs to the lower and upper circular rings using the appropriate screws and nuts.
 - Use the **shorter conical head screws with a cross** for the smaller central ring.
 - Use the **longer conical head screws with a cross** for the footrest ring.

Ensure all connections are snug but do not fully tighten yet.

3. **Install Pneumatic Cylinder Support:** Attach the main support structure for the pneumatic cylinder to the assembled base frame. Use the **hex head screws** for the upper part that connects the legs to the piston holder body.
4. **Insert Pneumatic Cylinder:** Carefully insert the pneumatic cylinder into the central opening of the support structure.
5. **Attach Seat Support:** Secure the seat support mechanism onto the top of the pneumatic cylinder.
6. **Mount Seat Cushion:** Place the seat cushion onto the seat support and secure it with the provided screws.
7. **Attach Backrest Support:** Connect the backrest support frame to the rear of the seat support.
8. **Mount Backrest Cushion:** Attach the backrest cushion to its support frame.
9. **Final Tightening:** Once all components are in place, systematically tighten all screws and nuts using the provided wrenches. Ensure the stool is stable and all connections are secure.

After assembly, test the stool's stability and functionality before regular use.

5. OPERATING INSTRUCTIONS

5.1 Height Adjustment

The stool's height can be adjusted using the pneumatic cylinder and the convenient lever located under the seat.

- **To Raise the Seat:** While standing, lift the adjustment lever. The seat will automatically rise. Release the lever at the desired height.
- **To Lower the Seat:** While seated, lift the adjustment lever. The seat will lower under your weight. Release the lever at the desired height.

Adjustable Height

No need to stand or bend for repairs

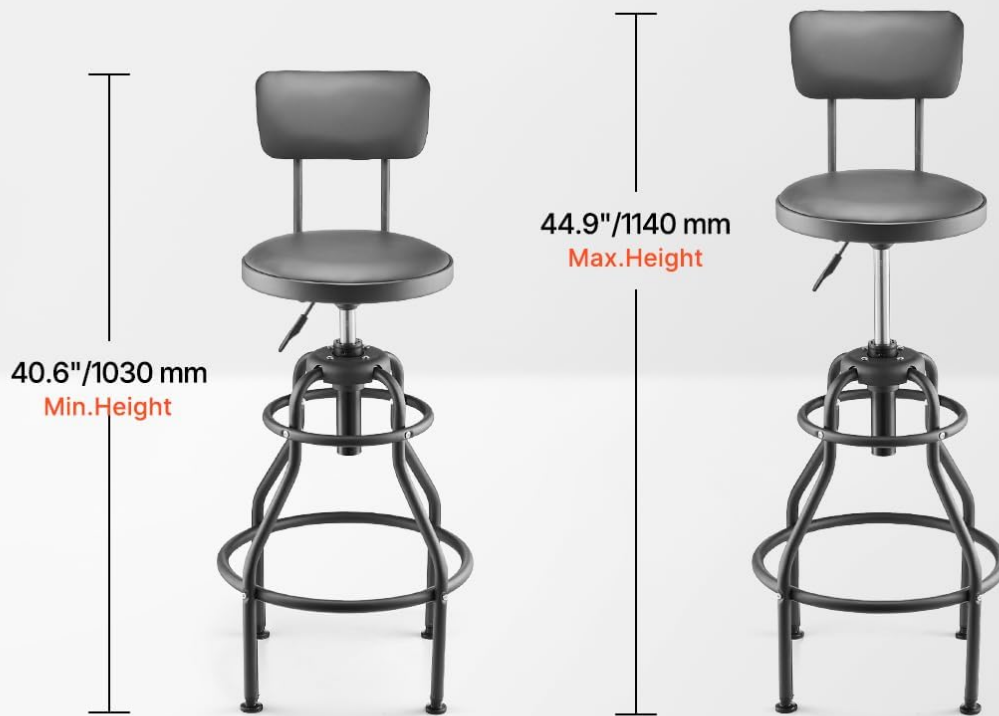


Figure 5.1: Adjustable height mechanism and range (40.6" to 44.9").

5.2 360° Swivel Seat

The seat is designed to rotate 360 degrees, providing flexibility and ease of movement without needing to reposition the entire stool.

- Simply rotate the seat in the desired direction. The swivel mechanism is smooth and designed for frequent use.

Non-Slip Stable Base

Four-corner base with non-slip foot pads ensures no wobbling or tipping over

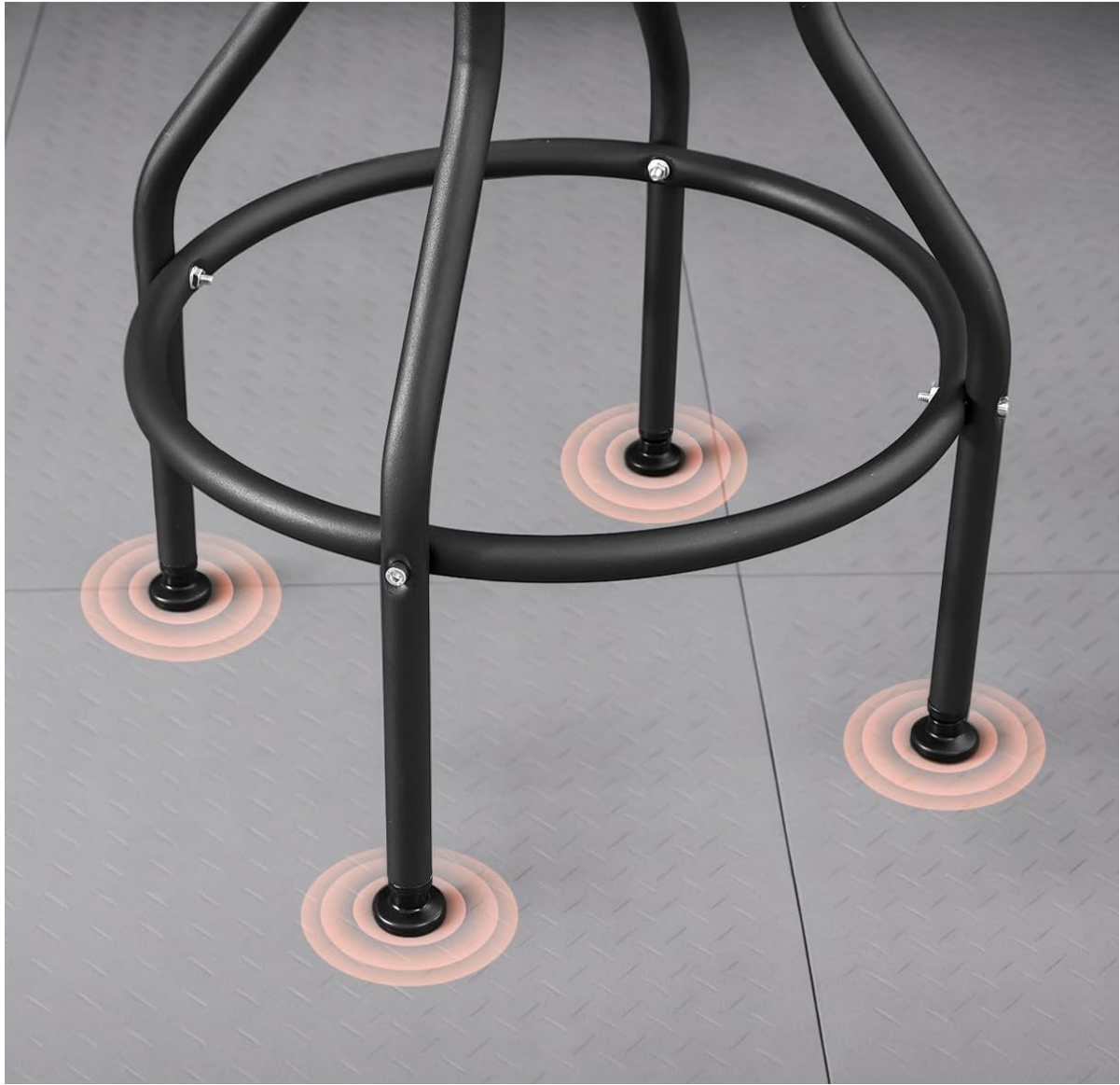


Figure 5.2: The 360° rotating seat feature.

6. MAINTENANCE

Regular maintenance ensures the longevity and safe operation of your VEVOR Shop Stool.

- **Cleaning:** The seat cushion is made of waterproof and oil-resistant PU synthetic leather. Wipe clean with a damp cloth and mild soap if necessary. Avoid harsh chemicals or abrasive cleaners.
- **Frame Cleaning:** Clean the carbon steel frame with a damp cloth. Dry thoroughly to prevent rust.
- **Fastener Check:** Periodically (e.g., monthly or after heavy use) check all screws, nuts, and bolts to ensure they are tight. Re-tighten any loose fasteners to maintain stability.
- **Foot Pads:** Ensure the non-slip foot pads are intact and free from debris to maintain stability and prevent floor scratching.
- **Pneumatic Cylinder:** Keep the pneumatic cylinder clean and free of obstructions. Do not lubricate the

cylinder unless specifically instructed by the manufacturer.

7. TROUBLESHOOTING

This section addresses common issues you might encounter with your shop stool.

Problem	Possible Cause	Solution
Stool wobbles or is unstable.	Loose fasteners; uneven floor; damaged foot pads.	Check and tighten all screws and nuts. Ensure the stool is on a level surface. Inspect and replace damaged foot pads if necessary.
Height adjustment not working.	Pneumatic cylinder malfunction; lever mechanism obstructed.	Ensure the lever is fully engaged. Check for any obstructions around the pneumatic cylinder. If the issue persists, contact customer support.
Seat does not swivel smoothly.	Debris in swivel mechanism; worn components.	Clean any visible debris from the swivel mechanism. Avoid applying lubricants unless specified by VEVOR.

8. SPECIFICATIONS

Detailed technical specifications for the VEVOR XF8W201 Shop Stool.





Figure 8.1: Detailed product dimensions and specifications.

Feature	Detail
Model Number	XF8W201
Brand	VEVOR
Product Dimensions	48.01 x 48.01 x 103 cm (18.9 x 18.9 x 40.6 inches) (Min Height)
Adjustable Height Range	40.6 - 44.9 inches (1030 - 1140 mm) (Seat height from ground)
Item Weight	6.8 kg (15.0 lbs)
Maximum Weight Capacity	136.08 kg (300 lbs)
Frame Material	Carbon Steel
Seat Material Type	PU Synthetic Leather (Waterproof, Oil-resistant) with Pearl Cotton Cushion
Backrest Material	Fabric (Backrest Cushion)
Assembly Required	Yes

Feature	Detail
Country of Origin	China

9. WARRANTY AND SUPPORT

VEVOR products are designed and manufactured to high-quality standards. For information regarding warranty coverage, product support, or to report any issues, please contact VEVOR customer service.

Please refer to the official VEVOR website or the contact information provided with your purchase for the most up-to-date support details.

You can often find support resources and contact information on the brand's official store page: [VEVOR Store on Amazon](#)